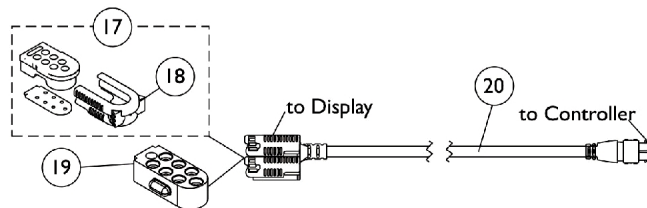
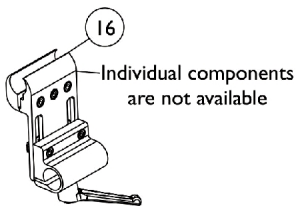
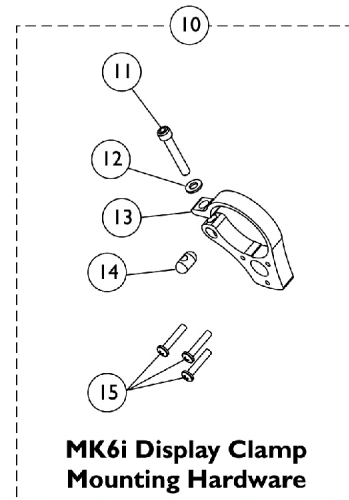
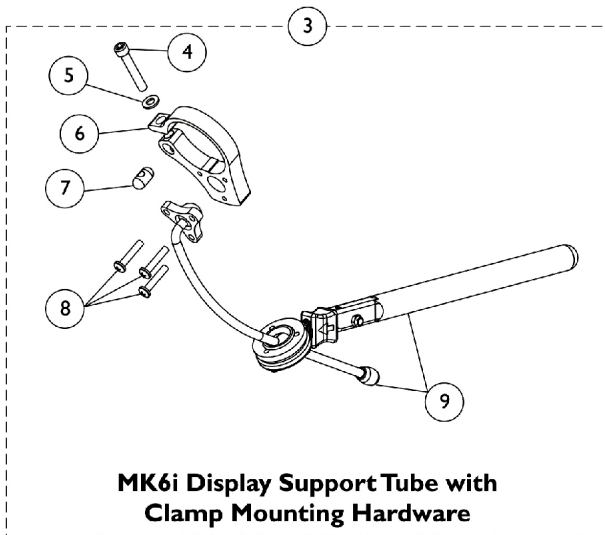
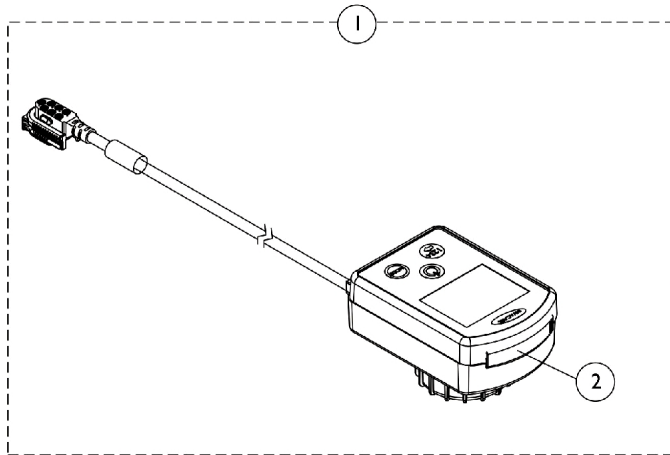


MK6i Mini Color Display



MK6i Mini Color Display

Item Number	Note	Part Number	Description	Quantity Per	
				Package	Assembly
2	A	1145074	Package, Cover Slot SD (For MPJM6/CMPJM6 & PSFM6/PSRM6 Joysticks)	10	1
3	B	1144857	Kit, MK6i Display Support Tube with Clamp Mounting Hardware	1	1
4			NLA - Screw, Socket Head (1/4-28 x 1-1/2")	1	1
5			Washer (1/4 x 1/2 x 1/16")	1	1
6			Clamp, Display	1	1
7			Pin, Threaded (3/8" x 3/4")	1	1
8			Screw, Phillips Pan Head (#10-32 x 1")	1	3
9			Display Support Tube Assembly	1	1
10	C	1144594	Kit, Display Joystick Clamp Mounting Hardware	1	1
11			NLA - Screw, Socket Head (1/4-28 x 1-1/2")	1	1
12			Washer (1/4 x 1/2 x 1/16")	1	1
13			Clamp, Display	1	1
14			Pin, Threaded (3/8" x 3/4")	1	1
15			Screw, Phillips Pan Head (#10-32 x 1")	1	3
16		1139422	Clamp, Height Adjustable Joystick Tube (ARM250)	1	1
17	D	1133182	Cap, Top Connector, 7 Pin, Black	1	1
18	G	1145408-NLA	NLA - Latch, Top Connector, Black	1	1
19		1133183-NLA	NLA - Cap, Bottom Connector, 7 Pin	1	1
20	E	1133180	Cable, MK6i Joystick Extension, (PWH) (16" L)	1	1
20	F,F1	1140039-NLA	NLA - Cable, MK6i Joystick Extension, (PWH) (58" L)	1	1

NOTE: A - Slot Cover also used for the MCD MK6i Mini Color Display.

B - Includes items 4-9.

C - Includes items 11-15.

D - Includes Main Body, Gasket, and Latch. Latch is the only item offered individually.

E - Used on all wheelchairs with multi-purpose joystick (MPJ/CMPJ) and WithOut any of the following: Any power seating; LNX/ELRPW power leg options; or any of the electronics in F1. It is used with MPCTMT and conventional actuators.

F - Used on all wheelchairs with multi-purpose joystick (MPJ/CMPJ) and With any of the following: Any power seating option; LNX/ELRPW power leg options; or With any of the electronics in F1

F1 - SNPM6, 5018M6, 5020M6, 1558M6, PACM6, 4WSB, S4WSB, AUX12M6, AUX34M6, RFM, IR, SANODE, ELRPW, ELRPW22, LNX, LNX-L. Also used on all Formula seating SMTACT and MPCTMT.

G - Item 18 part #1145408 is No Longer Available separately, order item 17 part #1133182

NOTE: Item #1 Kit, MK6i Mini Color Display (MCD) w/ Instructions is No Longer Available. MK6i Display (ASLRDYM6) can be used as a substitution. See category titled ""Display (ASLRDYM6)".