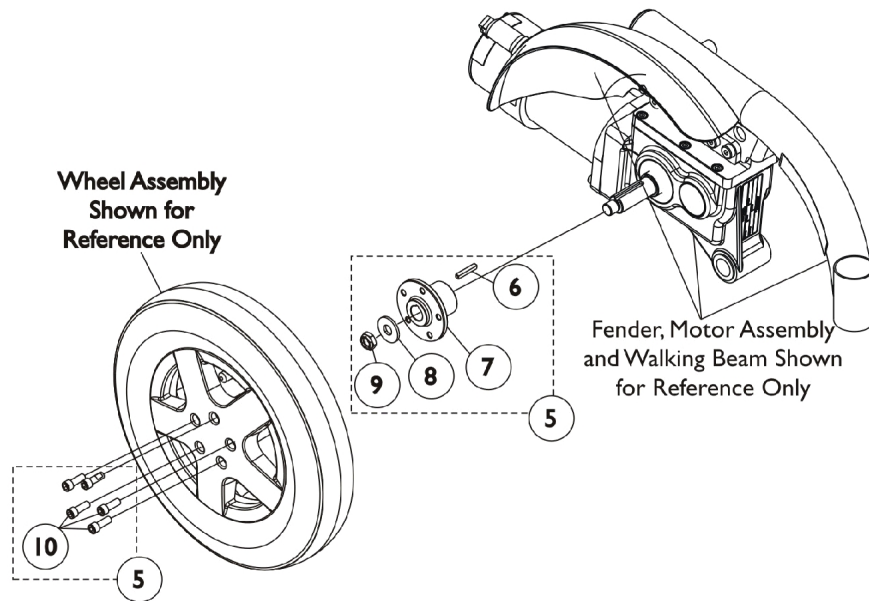
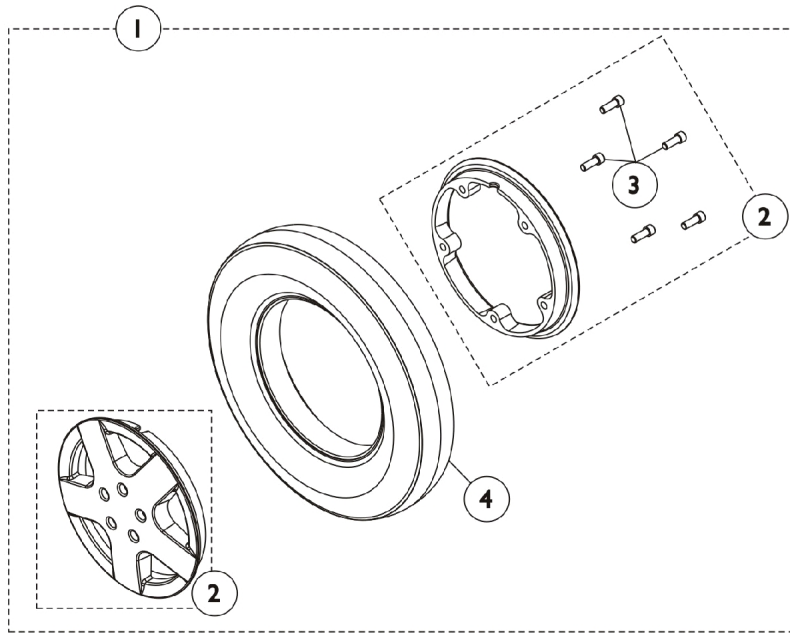


Drive Wheels and Hardware (14" x 3") (TDX SI & TDX SI-2 Before 9/15/11) & TDX SI-HD



Drive Wheels and Hardware (14" x 3") (TDX SI & TDX SI-2 Before 9/15/11) & TDX SI-HD

Item Number	Note	Part Number	Description	Quantity Per	
				Package	Assembly
1	A,E	1144660-NLA	NLA - Drive Wheel Assembly, w/ Flat Free, Grey Tire/Black Rim (14" x 3")	1	1
1	A,E,E1,G	1178834	Drive Wheel Assembly, Flat Free Gel Foam, Grey Tire/Black Rim (14" x 3")	1	1
1	A,H	1167685	Drive Wheel Assembly, Flat Free Gel Foam, Grey Tire/Silver Rim (14" x 3")	1	1
2	D	1121707-NLA	NLA - Kit, 8" Rim w/ Hardware (14" x 3" Wheel)	1	1
4	F	1141342	Tire w/ Foam Fill Insert, Grey (14" x 3")	1	1
5	B	1144654	Kit, Drive Wheel Mounting Hardware (14" x 3")	1	1
6		1000180	Key (3/16 x 1-1/4")	1	1
7		1142329	Hub, Wheel	1	1
8		1036933	Washer (1/2 x 1-9/32 x 1/8")	1	1
9		1025737	Locknut (1/2-20)	1	1
10		1101094	Screw, Socket Head w/ Patch (5/16-18 x 7/8")	1	5

NOTE: A - Includes items 2-4.
 B - Includes items 6-10.
 D - Sold complete. Includes the Rims and (5) ea. Socket Head Screws w/ Patch (5/16-18 x 7/8"). Item #2 Rim w/ Hardware is used for Item #1 1144660 Drive Wheel only.
 E - Part #1144660 is No Longer Available. Use part #1178834 as a replacement that is sold complete with Grey Tire/Black Rim, Metric Rim Hardware and Flat Free Gel Foam material.
 E1 - It is recommended to order in pairs because of the flat free foam density difference.
 F - 14" x 3" Tire w/ Soft Density Flat Free Gel foam (yellow) is not available for item #1 part number 1178834 and 1167685. Customer can use the Tire w/ Hard Density Flat Free foam (green) part #1141342. It is recommended to order in pairs to match.
 G - For TDX SI-HD Before 6/4/12 and for TDX SI and TDX SI-2
 H - For TDX SI-HD After 6/3/12 (14" x 3") Wheel Assembly changed from Grey Tire/Black Rim to Grey Tire/Silver Rim and Flat Free Foam to Flat Free Gel Foam material. Sold complete. Item 2 is "not" used for Wheel Assembly part #1167685.