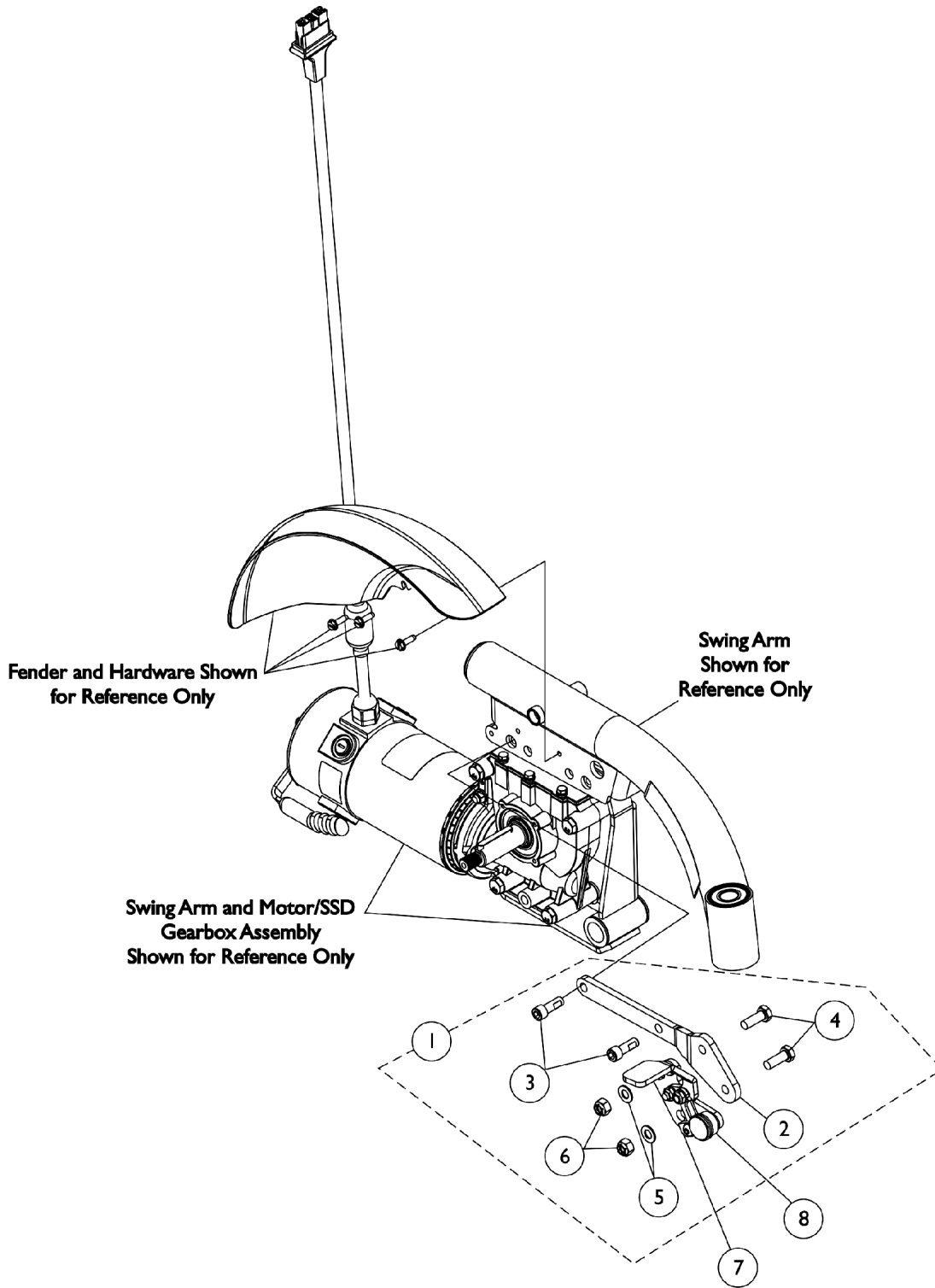


Wheel Lock Assembly

TDX SI & TDX SI-2 After 9/14/11



Wheel Lock Assembly

TDX SI & TDX SI-2 After 9/14/11

Item Number	Note	Part Number	Description	Quantity Per	
				Package	Assembly
1	A	1173783	Kit, Wheel Lock Mounting Hardware - Right	1	1
2			Bracket, Wheel Lock, Black - Right	1	1
3			Screw, Socket Head w/ Patch (5/16-18 x 7/8")	1	2
4			NLA - Screw, Hex Head w/ Patch (5/16-18 x 7/8")	1	2
5			Washer, Flat (5/16 x 5/8 x 1/16")	1	2
6			Locknut (5/16-18)	1	2
			Instruction Sheet, Installation	1	1
1	A	1173784	Kit, Wheel Lock Mounting Hardware - Left	1	1
2			Bracket, Wheel Lock, Black - Left	1	1
3			Screw, Socket Head w/ Patch (5/16-18 x 7/8")	1	2
4			NLA - Screw, Hex Head w/ Patch (5/16-18 x 7/8")	1	2
5			Washer, Flat (5/16 x 5/8 x 1/16")	1	2
6			Locknut (5/16-18)	1	2
			Instruction Sheet, Installation	1	1
7	B	1139885	Wheel Lock Assembly - Right	1	1
7	B	1139886	Wheel Lock Assembly - Left	1	1
8		1101725	Cap, Brake Lever End, Black	1	1
8		1130584	Package, Cap, Brake Lever End, Black	10	1

NOTE: A - Includes items 2-6 and Installation Instruction Sheet.
B - Wheel Lock Assembly includes the Brake Lever End Cap item #8 part number 1101725.