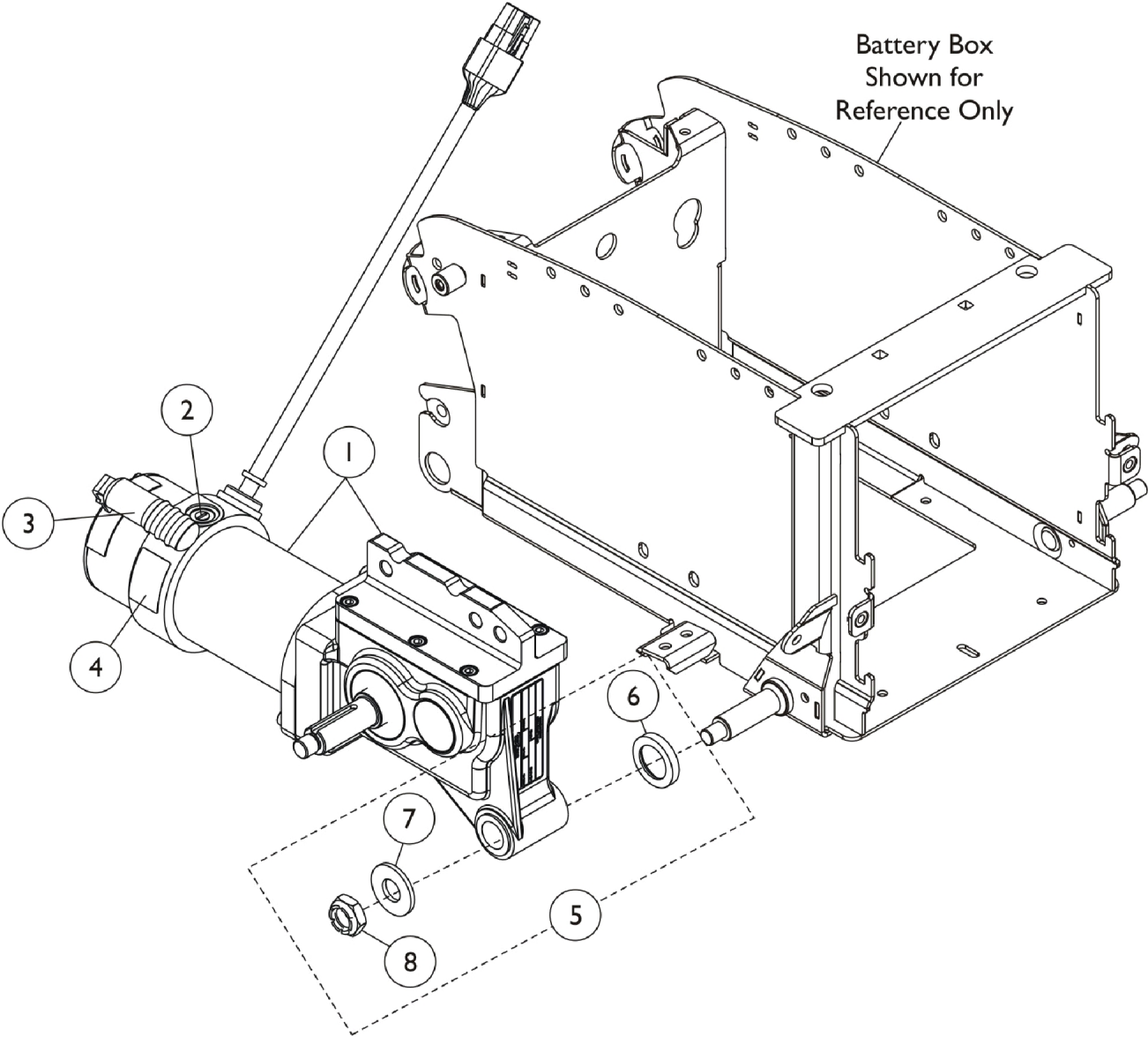


Motors - 2-Pole/4-Pole - Gearbox & Mounting Hardware (TDX SI & TDX SI-2 Before 9/15/11) & TDX SI-HD



Motors - 2-Pole/4-Pole - Gearbox & Mounting Hardware (TDX SI & TDX SI-2 Before 9/15/11) & TDX SI-HD

Item Number	Note	Part Number	Description	Quantity Per	
				Package	Assembly
1	C	1148034	Motor/Gearbox Assembly w/ Bearings - Right	1	1
1	C	1148035	Motor/Gearbox Assembly w/ Bearings - Left	1	1
1	D	1144664-NLA	NLA - Motor/Gearbox Assembly - Right	1	1
1	D	1144665-NLA	NLA - Motor/Gearbox Assembly - Left	1	1
2	A,C	1160525	Kit, Brushes with Caps, 2-Pole	1	1
			Brush, Motor, 2-Pole	1	2
			Cap, Brush	1	2
			Instruction Sheet	1	1
2	D	1070296-NLA	NLA - Kit, Brushes with Caps, 4-Pole	1	1
			Brush, Motor, 4 Pole	1	4
			Cap, Brush	1	4
			Instruction Sheet	1	1
3	C,D	1101725	Cap, Brake Lever End, Black	1	1
3	C,D	1130584	Package, Cap, Brake Lever End, Black	10	1
4	D	1104797	Decal, Drive/Push	1	1
4	C	1104802	Decal, Push/Drive	1	1
5	B,C,D	1160523	Kit, 2-Pole and 4-Pole Motor Mounting Hardware	1	1
6			Spacer, Coved (3/4 x 1-1/8 x 1-1/32")	1	1
7			Washer (1/2")	1	1
8			Locknut (1/2-20)	1	1

NOTE: A - Includes (2) Brushes, (2) Brush Caps, and Instruction Sheet.
B - Includes items 6-8.
C - For use on Non-Heavy Duty TDX SI and TDX SI-2 models.
D - For use on Heavy Duty TDX SI-HD models.