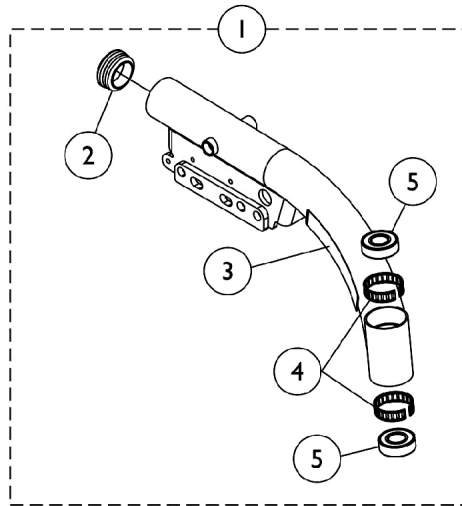
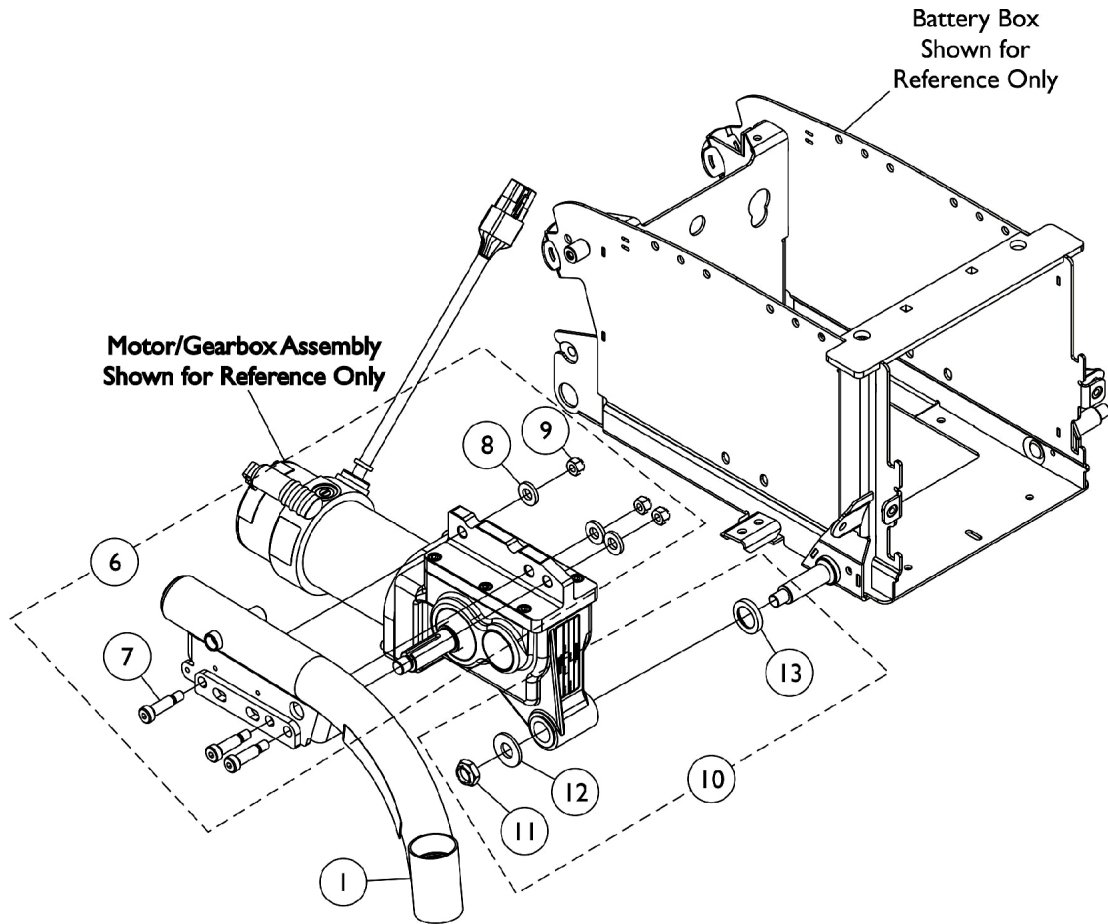


# Walking Beam and Mounting Hardware (TDX SI & TDX SI-2 Before 9/15/11) & TDX SI-HD



## Walking Beam and Mounting Hardware (TDX SI & TDX SI-2 Before 9/15/11) & TDX SI-HD

Item Number	Note	Part Number	Description	Quantity Per	
				Package	Assembly
1	A,C,F	8881147996	Kit, Walking Beam Assembly, Color - Right	1	1
2			NLA - Plug Button, Round, Black (1-1/2")	1	1
4			Ring, Tolerance	1	2
5			Bearing (5/8")	1	2
1	A,C,F	8881147997	Kit, Walking Beam Assembly, Color - Left	1	1
2			NLA - Plug Button, Round, Black (1-1/2")	1	1
4			Ring, Tolerance	1	2
5			Bearing (5/8")	1	2
1	B,C,G	8881160521-NL A	NLA - Kit, Walking Beam Assembly w/ TDX SI Black Decal, Color - Right	1	1
2			NLA - Plug Button, Round, Black (1-1/2")	1	1
3			Decal, TDX SI, Black	1	1
4			Ring, Tolerance	1	2
5			Bearing (5/8")	1	2
1	B,C,G	8881160522-NL A	NLA - Kit, Walking Beam Assembly w/ TDX SI Black Decal, Color - Left	1	1
2			NLA - Plug Button, Round, Black (1-1/2")	1	1
3			Decal, TDX SI, Black	1	1
4			Ring, Tolerance	1	2
5			Bearing (5/8")	1	2
2		1146345	NLA - Plug Button, Round, Black (1-1/2")	1	1
3	A	1148036	Decal, TDX SI, Yellow/Silver	1	1
3	B	1157930	Decal, TDX SI, Black	1	1
3	H	1146461-NLA	NLA - Decal, TDX SI Heavy Duty, Yellow/Silver	1	1
3	H	1164950	Decal, TDX SI-2, Yellow/Silver	1	1
4		1110717	Ring, Tolerance	1	2
5		40117X006	Bearing (5/8")	1	2
6	D	1145068	Kit, Walking Beam Mounting Hardware	1	1
7			NLA - Screw, Shoulder Hex Socket Head (3/8 x 1", 5/16-18)	1	3
8			NLA - Washer, Steel (7/16 x 13/16 x 1/8")	1	3
9			Locknut (5/16-18)	1	3
10	E	1160523	Kit, 2-Pole and 4-Pole Motor Mounting Hardware	1	1
11			Locknut (1/2-20)	1	1
12			Washer (1/2")	1	1
13			Spacer, Coved (3/4 x 1-1/8 x 1-1/32")	1	1

NOTE: A - Used for all frame colors except 30P Sunny Yellow, 60P Silver Metallic and 71P Silver Vein.  
B - Used for 30P Sunny Yellow, 60P Silver Metallic and 71P Silver Vein frame colors only.  
C - Specify frame color when ordering.  
D - Includes items 7-9.  
E - Includes items 11-13.  
F - Includes the Walking Beam, items 2, 4 and 5. Item #3 Yellow/Silver Decals are not included with this Walking Beam Assembly.  
G - Includes the Walking Beam and items 2-5.  
H - Used for 61P Electric Red and 62P Electric Blue frame colors only.