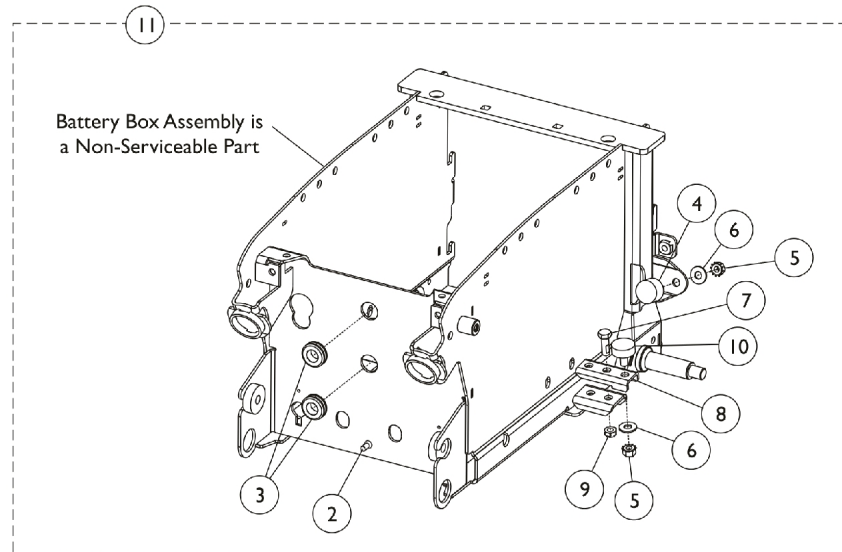
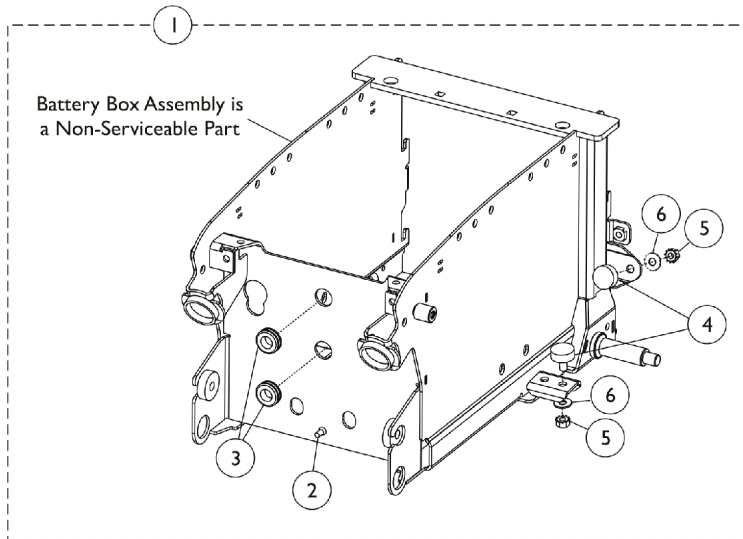


Battery Box Hardware

(TDX SI & TDX SI-2 Before 9/15/11) & TDX SI-HD

The Battery Boxes are non-serviceable parts in the field. Wheelchair must be returned to Invacare for repair. Call Technical Services for assistance (1-800-832-4707)



Battery Box Hardware (TDX SI & TDX SI-2 Before 9/15/11) & TDX SI-HD

The Battery Boxes are non-serviceable parts in the field. Wheelchair must be returned to Invacare for repair. Call Technical Services for assistance (1-800-832-4707)

Item Number	Note	Part Number	Description	Quantity Per	
				Package	Assembly
1	A,B	1145071	Kit, Battery Box Rubber Bumper and Grommet Hardware	1	1
2			Bumper, Rubber (7/8" Diameter x 3/16")	1	3
3			Grommet, Rubber (9/16 ID x 1-1/16 OD x 3/8")	1	2
4			Bumper, Rubber (1" Diameter x 3/8")	1	4
5			NLA - Nut, Keps (5/16-18)	1	4
6			Washer, Steel (5/16 x 3/4 x 1/16")	1	4
11	B,C	1162163-NLA	NLA - Kit, Battery Box Rubber Bumper and Grommet - Heavy Duty	1	1
2			Bumper, Rubber (7/8" Diameter x 3/16")	1	3
3			Grommet, Rubber (9/16 ID x 1-1/16 OD x 3/8")	1	2
4			NLA - Bumper, Rubber (1" Diameter x 5/8")	1	2
5			NLA - Nut, Keps (5/16-18)	1	4
6			Washer, Steel (5/16 x 3/4 x 1/16")	1	4
7			NLA - Screw, Hex Head w/ Patch (5/16-18 x 7/8")	1	2
8			Bracket, Heavy Duty, Black	1	2
9			Locknut (5/16-18)	1	2
10			Bumper, Rubber (1" Diameter x 3/8")	1	2

NOTE: A - Includes items 2-6. Used for TDX SI models.
 B - Three rubber bumpers are included in this kit, only (1) rubber bumper is needed for this chair type.
 C - Includes items 2-10. Used for TDX SI-HD and TDX SI-2 models.