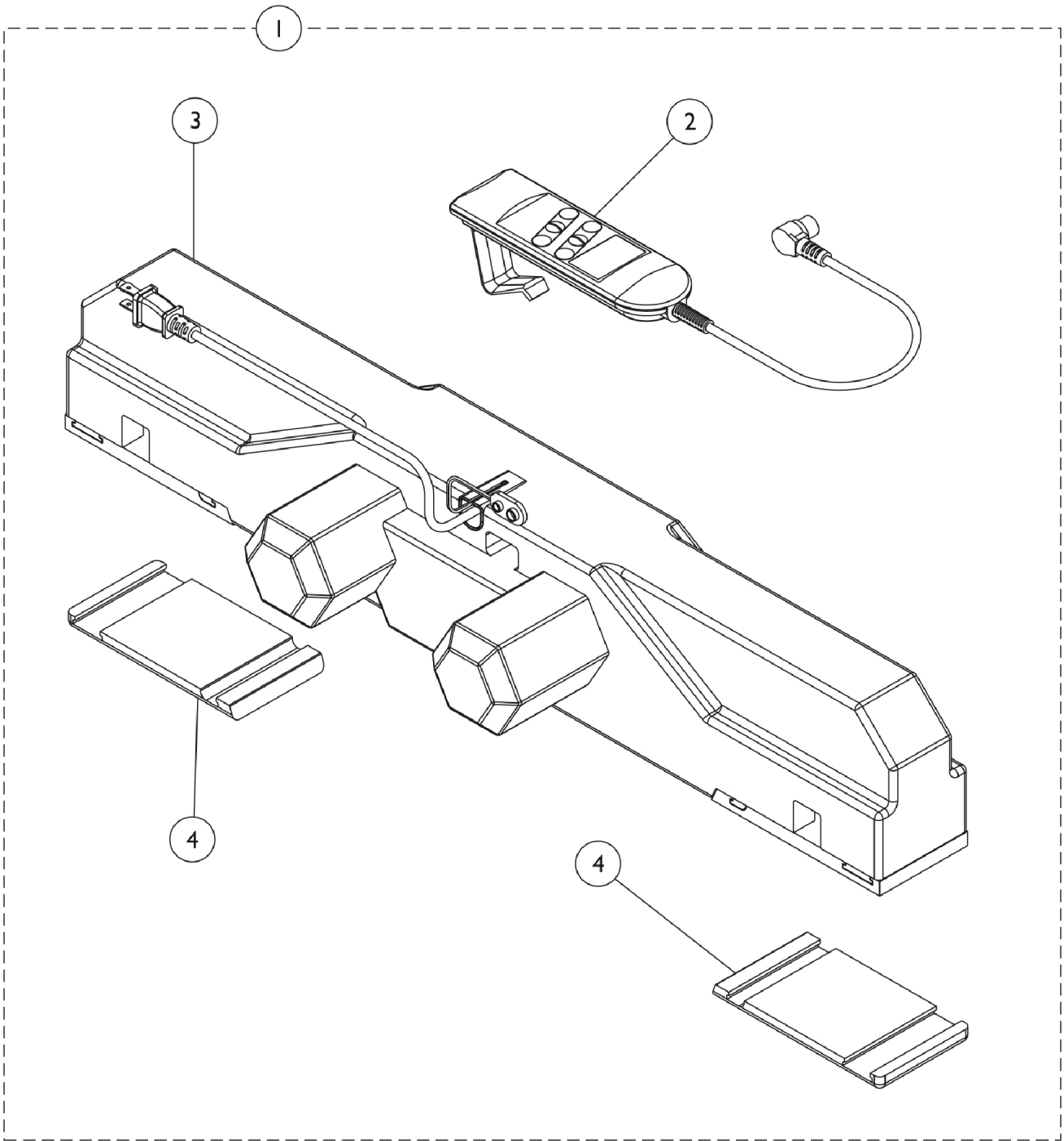


Motor (Actuator) & Pendant



Motor (Actuator) & Pendant

| Item Number | Note | Part Number | Description | Quantity Per | |
|-------------|------|-------------|--------------------------------------|--------------|----------|
| | | | | Package | Assembly |
| 1 | A | 1128125-NLA | NLA - Kit, Motor and Pendant Package | 1 | 1 |
| | | | NLA - Pendant, Control | 1 | 1 |
| | | | NLA - Actuator, Dual Motor | 1 | 1 |
| | | | Cap, Motor Attachment | 1 | 2 |
| 2 | | 1128139-NLA | NLA - Pendant, Control | 1 | 1 |
| 3 | | 1128138-NLA | NLA - Actuator, Dual Motor | 1 | 1 |
| 4 | | 1132733 | Cap, Motor Attachment | 1 | 2 |

NOTE: A - Includes: Items 2-4