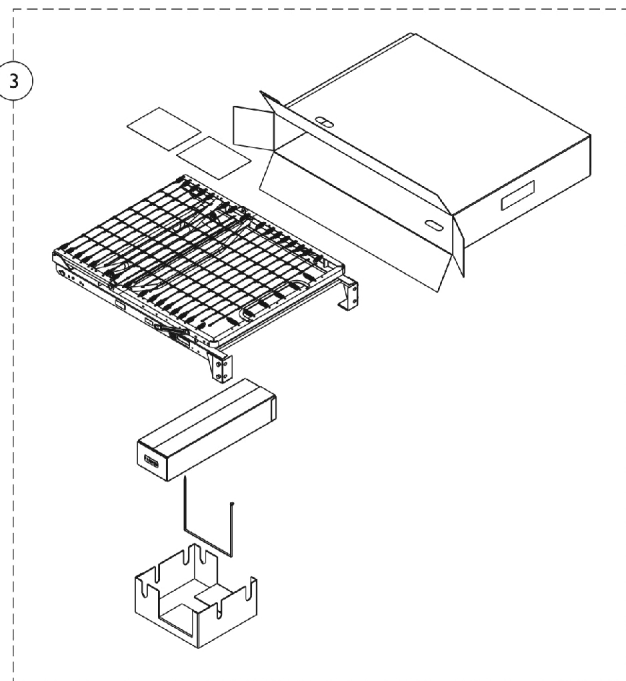
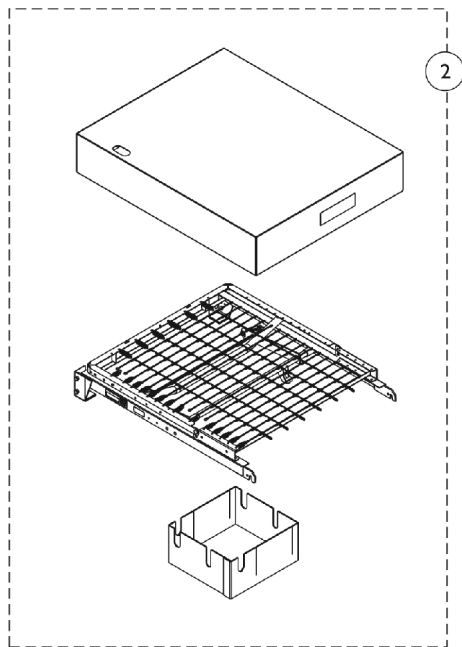
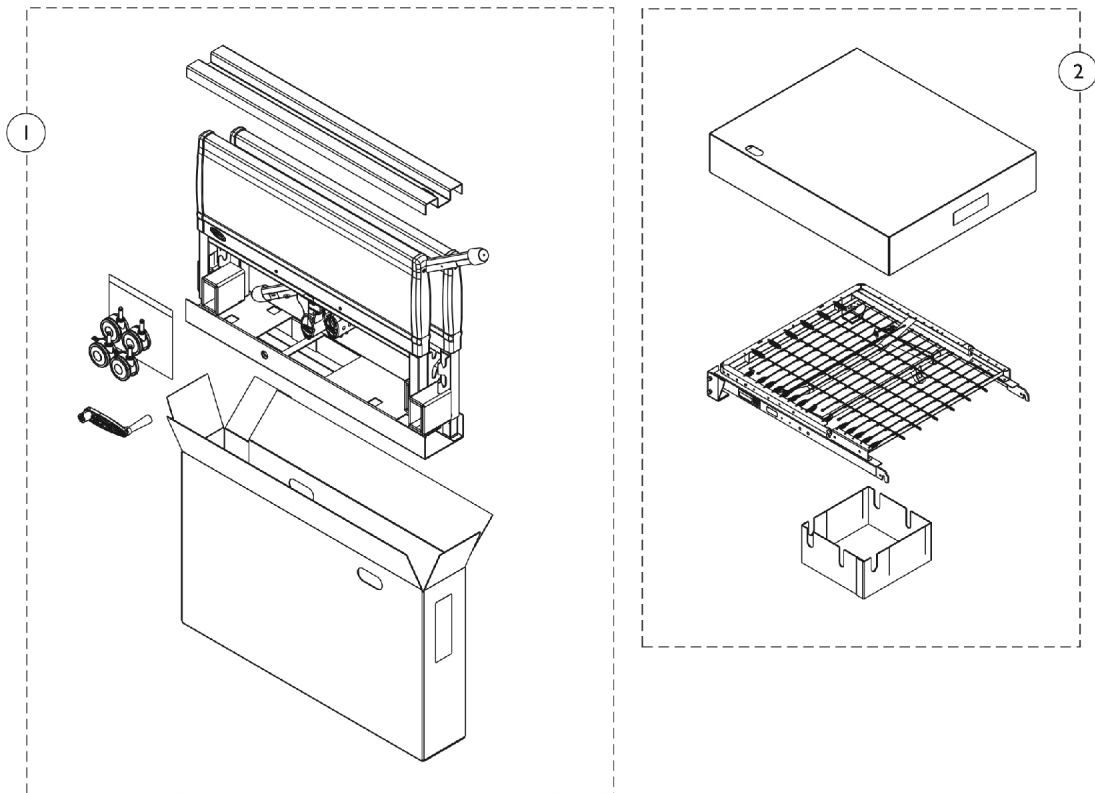


Head End - Foot End - Bed Ends



Head End - Foot End - Bed Ends

Item Number	Note	Part Number	Description	Quantity Per	
				Package	Assembly
1		5301IVC	Ends, Bed, Single Crank w/ Pull Tubes, Casters, Packaging & Literature	1	1
2		VC5000	Head Section w/ Packaging	1	1
3		VC5890	Foot Section w/ Motor, Pendant & Packaging	1	1