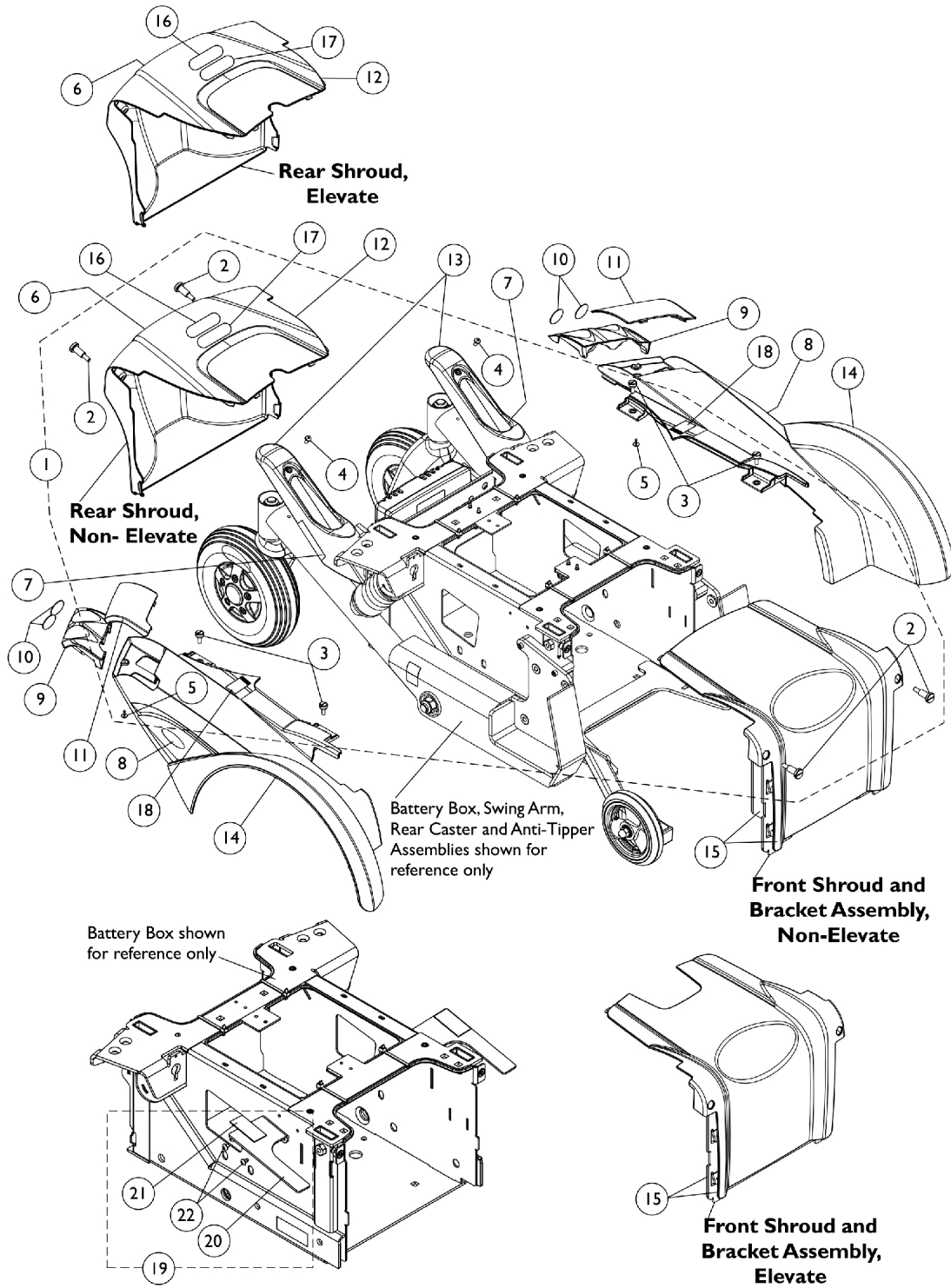


# Shrouds and Hardware w/o Lights After 07/10/11



## Shrouds and Hardware w/o Lights After 07/10/11

Item Number	Note	Part Number	Description	Quantity Per	
				Package	Assembly
1	A	1168901-NLA	NLA - Kit, Shrouds and Bezel Mounting Hardware	1	1
2			Screw, Thumb w/ Shoulder (M9.5 x 24.13mm, M6 x 1)	1	4
3			Screw, Thumb (M5 x .8 x 12mm)	1	4
4			Screw, Phillips Pan Head Tap (#10-32 x 3/8")	1	2
5			Screw, Phillips Pan Head SEMS w/ Patch (M3 x .5 x 10mm)	1	2
7		1167400-NLA	NLA - Decal, FDX Model, Swing Arm	1	2
8		1168380-NLA	NLA - Decal, Invacare Logo, Fender - Right	1	1
8		1168381-NLA	NLA - Decal, Invacare Logo, Fender - Left	1	1
9		1165607	Bezel, Lighting - Right	1	1
9		1165608	Bezel, Lighting - Left	1	1
10		1168998	Package, Lens Reflective Insert	4	1
11		60102804	Kit, Cover, Lighting Bezel Lens - Right	1	1
11		60102805	Kit, Cover, Lighting Bezel Lens - Left	1	1
12		See Chart	Item #12 Colored Rear Shroud	1	1
13		See Chart	Item #13 Colored Swing Arm Shroud	1	1
14		See Chart	Item #14 Colored Fender Shroud	1	1
15		See Chart	Item #15 Colored Front Shroud and Bracket Assembly	1	1
16		1119281-NLA	NLA - Plate, Name, Patent Numbers	1	1
17		1035900	Decal, Transportation	1	1
18		1079203	Decal, Warning Pinch Point	1	2
19	B	1168979	Kit, Shroud Bracket and Hardware - Right	1	1
20			Bracket, Shroud, Black - Right	1	1
21			NLA - Fastener, Hook with Adhesive Back (1" W x 2" L)	1	1
22			Screw, Phillips Pan Head Tap (#10-32 x 3/8")	1	2
19	B	1168980	Kit, Shroud Bracket and Hardware - Left	1	1
20			Bracket, Shroud, Black - Left	1	1
21			NLA - Fastener, Hook with Adhesive Back (1" W x 2" L)	1	1
22			Screw, Phillips Pan Head Tap (#10-32 x 3/8")	1	2

NOTE: A - Includes items 2-5  
B - Includes items 20-22

Item #6 Reflective Decal is not available for sale individually.

## Shrouds and Hardware w/o Lights After 07/10/11

### Item #12 Colored Rear Shroud

Description	Wet Black (24P)	Artic White (143P)	Electric Silver (147P)	Electric Red (61P)	Electric Blue (62P)
Rear Shroud w/ Decals, Elevate	1173514-NLA See Note(s) A	1173515-NLA See Note(s) A	1173516 See Note(s) B, A	1173517 See Note(s) A	1173518 See Note(s) A
Rear Shroud w/ Decals, Non-Elevate	1173519 See Note(s) A	1173520 See Note(s) A	1173521-NLA See Note(s) B, A	1173522 See Note(s) A	1173523 See Note(s) A
NOTE: A - The Controller is also covered by the Rear Shroud. Shroud includes items 6, 15 and 16. B - As of 11/2/11 Silver Metallic (60P) was replaced with Electric Silver (147P). Wheelchairs manufactured before 11/2/11 must order the Electric Silver (147P) Shroud and Hardware Conversion Kit dated Before 7/11/11.					

### Item #13 Colored Swing Arm Shroud

Description	Wet Black (24P)	Artic White (143P)	Electric Silver (147P)	Electric Red (61P)	Electric Blue (62P)
Swing Arm Shroud w/ Decal - Right	1173494 See Note(s) A	1173495 See Note(s) A	1173496-NLA See Note(s) B, A	1173497-NLA See Note(s) A	1173498-NLA See Note(s) A
Swing Arm Shroud w/ Decal - Left	1173499 See Note(s) A	1173500 See Note(s) A	1173501 See Note(s) B, A	1173502 See Note(s) A	1173503 See Note(s) A
NOTE: A - Shroud includes item #7 Decal. B - As of 11/2/11 Silver Metallic (60P) was replaced with Electric Silver (147P). Wheelchairs manufactured before 11/2/11 must order the Electric Silver (147P) Shroud and Hardware Conversion Kit dated Before 7/11/11.					

### Item #14 Colored Fender Shroud

Description	Wet Black (24P)	Artic White (143P)	Electric Silver (147P)	Electric Red (61P)	Electric Blue (62P)
Fender Shroud w/ Decal - Right	1173504 See Note(s) A	1173505-NLA See Note(s) A	1173506 See Note(s) B, A	1173507 See Note(s) A	1173508 See Note(s) A
Fender Shroud w/ Decal - Left	1173509 See Note(s) A	1173510-NLA See Note(s) A	1173511 See Note(s) B, A	1173512 See Note(s) A	1173513 See Note(s) A
NOTE: A - Shroud includes item #8 Decal only. Item #18 Decal is not included. B - As of 11/2/11 Silver Metallic (60P) was replaced with Electric Silver (147P). Wheelchairs manufactured before 11/2/11 must order the Electric Silver (147P) Shroud and Hardware Conversion Kit dated Before 7/11/11.					

# Shrouds and Hardware w/o Lights After 07/10/11

## Item #15 Colored Front Shroud and Bracket Assembly

Description	Wet Black (24P)	Artic White (143P)	Electric Silver (147P)	Electric Red (61P)	Electric Blue (62P)
Front Shroud and Bracket Assembly, Elevate	1173482-NLA See Note(s) A	1173483-NLA See Note(s) A	1173484 See Note(s) B, A	1173485 See Note(s) A	1173486 See Note(s) A
Front Shroud and Bracket Assembly, Non-Elevate	1173489 See Note(s) A	1173490 See Note(s) A	1173491 See Note(s) B, A	1173492 See Note(s) A	1173493 See Note(s) A
NOTE: A - Item #15 is sold as a complete assembly only. B - As of 11/2/11 Silver Metallic (60P) was replaced with Electric Silver (147P). Wheelchairs manufactured before 11/2/11 must order the Electric Silver (147P) Shroud and Hardware Conversion Kit dated Before 7/11/11.					