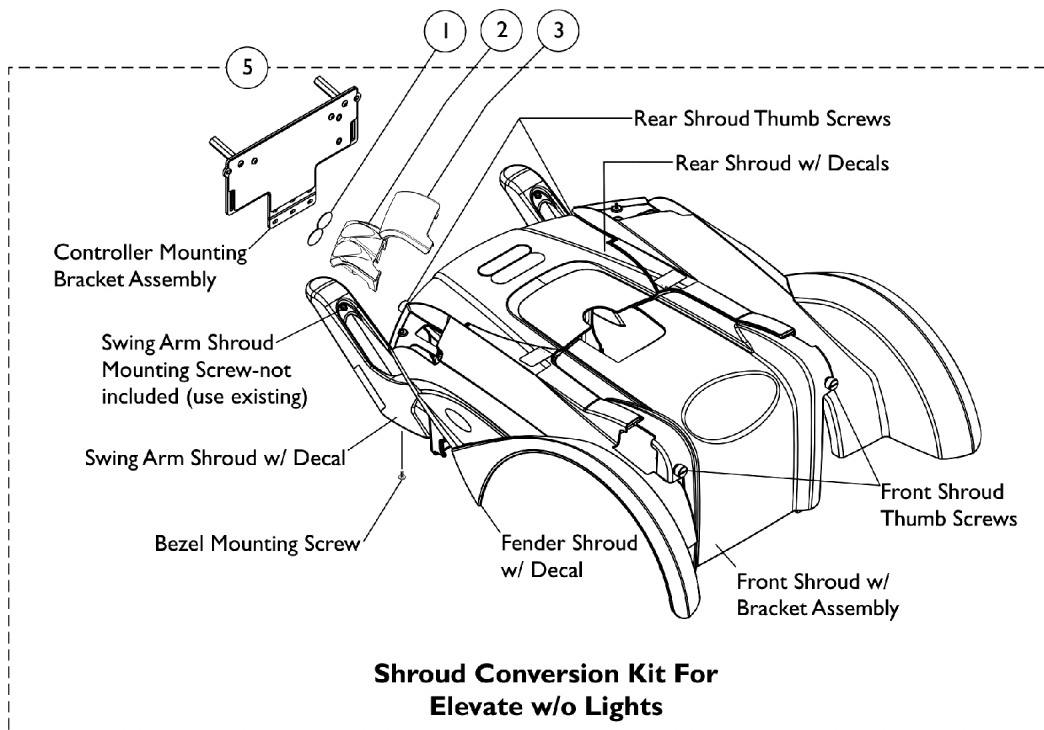
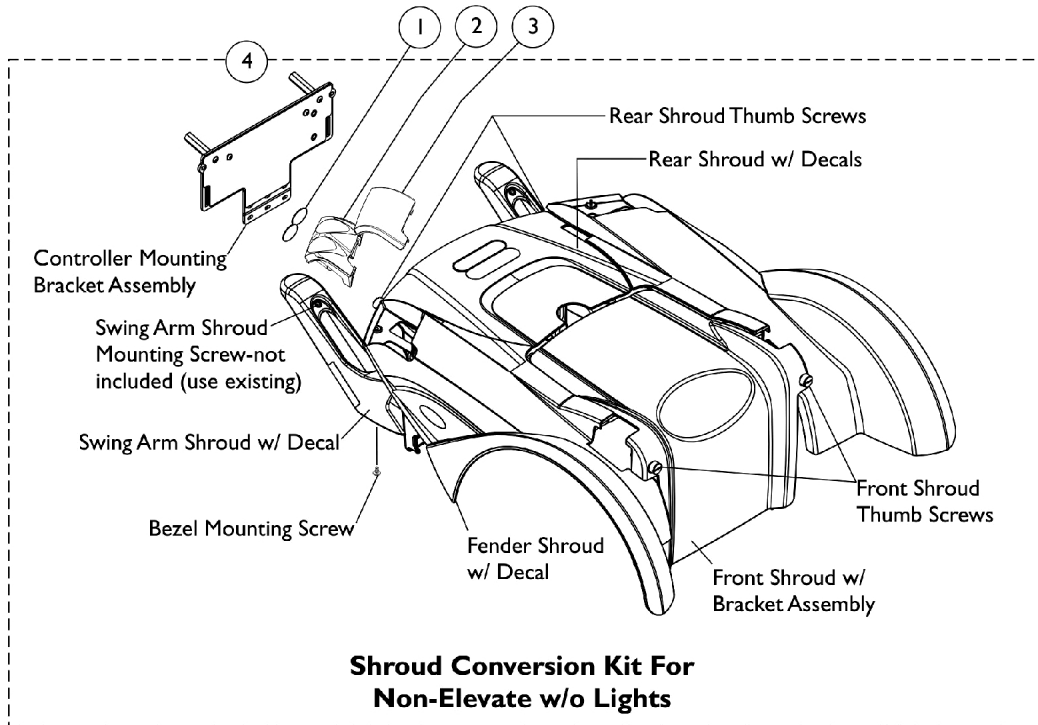


# Shrouds & Hardware - Conversion Kits

## w/o Lights Before 07/11/11

Shrouds manufactured before 07/11/11 are no longer available. Shroud Conversion Kits must be ordered.  
**NOTE:** Retrofit Kit to add Lights in the field is not available. The wheelchair must be returned to Invacare utilizing the Mechanical Repair Quote Form.



# Shrouds & Hardware - Conversion Kits

## w/o Lights Before 07/11/11

**Shrouds manufactured before 07/11/11 are no longer available. Shroud Conversion Kits must be ordered.**  
**NOTE: Retrofit Kit to add Lights in the field is not available. The wheelchair must be returned to Invacare utilizing the Mechanical Repair Quote Form.**

Item Number	Note	Part Number	Description	Quantity Per	
				Package	Assembly
1	A,B	1168998	Package, Lens Reflective Insert	4	1
2	A	1165607	Bezel, Lighting - Right	1	1
2	A	1165608	Bezel, Lighting - Left	1	1
3		60102804	Kit, Cover, Lighting Bezel Lens - Right	1	1
3		60102805	Kit, Cover, Lighting Bezel Lens - Left	1	1
4		See Chart	Item #4 Shroud Conversion Kit - Non-Elevate w/o Lights	1	1
5		See Chart	Item #5 Shroud Conversion Kit - Elevate w/o Lights	1	1

**NOTE:** A - Item #'s 1-3 are not included with the Conversion Kits. If the customer is not able to reuse their existing components, order the items required in addition to the Conversion Kit.  
 B - Item #1 Lens Reflective Insert covers the holes inside item #2 Bezel when the Lighting Option is not ordered.

### Item #4 Shroud Conversion Kit

#### Non-Elevate w/o Lights

Shroud Color	Part Number
Wet Black (24P)	1174608-NLA See Note(s) A
Artic White (143P)	1174609-NLA See Note(s) A
Electric Silver (147P)	1174610-NLA See Note(s) B, A
Electric Red (61P)	1174611-NLA See Note(s) A
Electric Blue (62P)	1174612-NLA See Note(s) A

**NOTE:** A - Conversion Kit includes a revised Controller Mounting Bracket Assembly, Rear Shroud, Swing Arm Shrouds, Fender Shrouds, Front Shroud w/ Bracket Assembly, Decals, Mounting Hardware - use existing swing arm shroud screws, and Installation Instructions.  
 B - As of 11/2/11 Silver Metallic (60P) was replaced with Electric Silver (147P). Wheelchairs manufactured before 11/2/11 must order the Electric Silver (147P) Shroud and Hardware Conversion Kit.

Item #'s 1-3 are not included with the Conversion Kits. If the customer is not able to reuse their existing components, order the items required in addition to the Conversion Kit.

### Item #5 Shroud Conversion Kit

#### Elevate w/o Lights

Shroud Color	Part Number
Wet Black (24P)	1174613-NLA See Note(s) A
Artic White (143P)	1174614-NLA See Note(s) A
Electric Silver (147P)	1174615-NLA See Note(s) A, B
Electric Red (61P)	1174616-NLA See Note(s) A

# Shrouds & Hardware - Conversion Kits

## w/o Lights Before 07/11/11

Shrouds manufactured before 07/11/11 are no longer available. Shroud Conversion Kits must be ordered.  
**NOTE: Retrofit Kit to add Lights in the field is not available. The wheelchair must be returned to Invacare utilizing the Mechanical Repair Quote Form.**

### Item #5 Shroud Conversion Kit

#### Elevate w/o Lights

Shroud Color	Part Number
Electric Blue (62P)	1174617-NLA See Note(s) A
<p>NOTE: A - Conversion Kit includes a revised Controller Mounting Bracket Assembly, Rear Shroud, Swing Arm Shrouds, Fender Shrouds, Front Shroud w/ Bracket Assembly, Decals, Mounting Hardware - use existing swing arm shroud screws, and Installation Instructions.</p> <p>B - As of 11/2/11 Silver Metallic (60P) was replaced with Electric Silver (147P). Wheelchairs manufactured before 11/2/11 must order the Electric Silver (147P) Shroud and Hardware Conversion Kit.</p> <p>Item #'s 1-3 are not included with the Conversion Kits. If the customer is not able to reuse their existing components, order the items required in addition to the Conversion Kit.</p>	