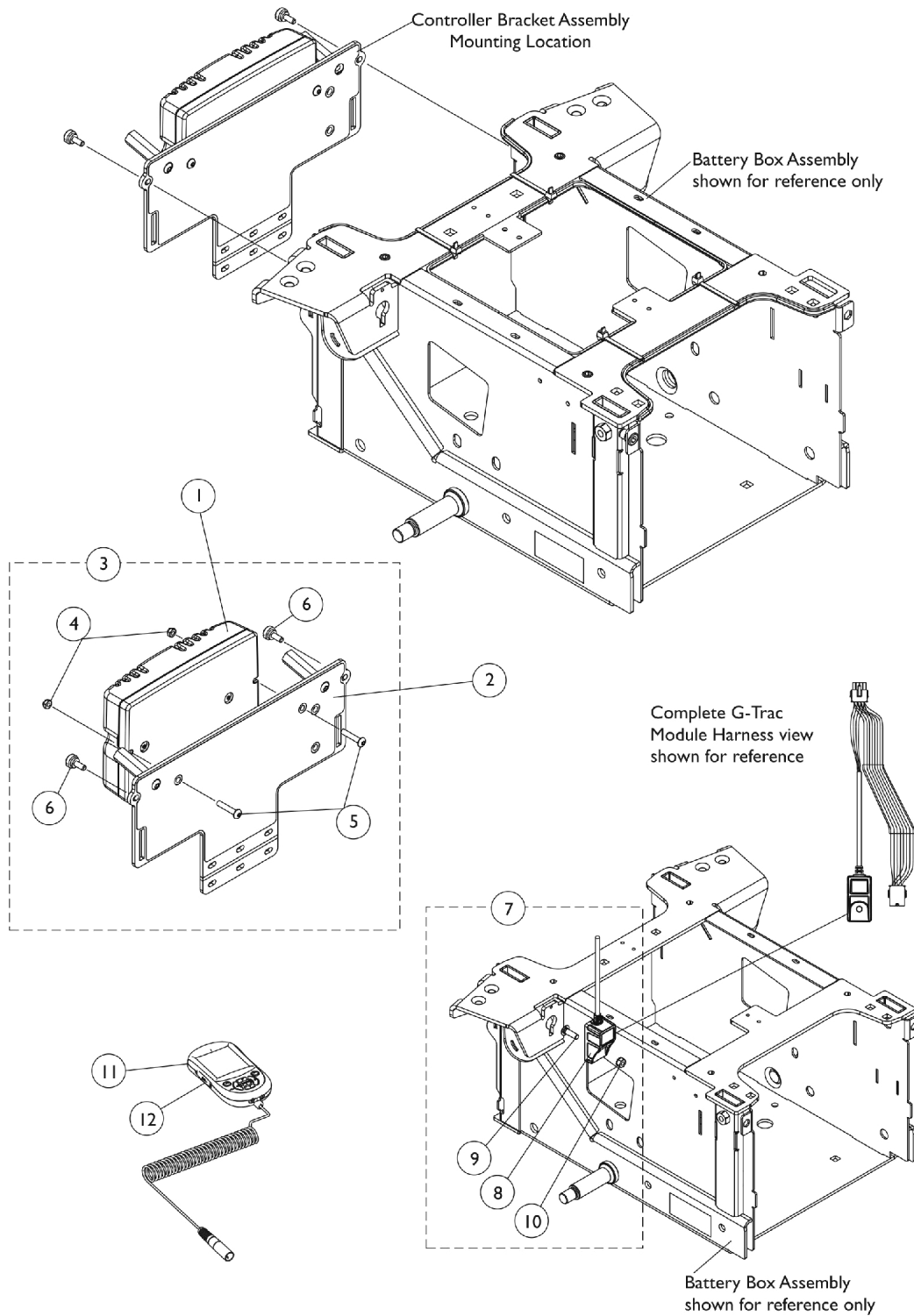


Controller - G-Trac, 2-Pole & 4-Pole, MK6i - FDX

To order a Rear Shroud that covers the Battery Box and Controller, refer to the FDX® (Formula™ CGE option included) and Front Riggings Power Wheelchair parts catalog. See page titled "Shrouds and Hardware".



Controller - G-Trac, 2-Pole & 4-Pole, MK6i - FDX

To order a Rear Shroud that covers the Battery Box and Controller, refer to the FDX® (Formula™ CGE option included) and Front Riggings Power Wheelchair parts catalog. See page titled "Shrouds and Hardware".

Item Number	Note	Part Number	Description	Quantity Per	
				Package	Assembly
1	E,E1	1167645	Controller, G-Trac, 2-Pole, MK6i	1	1
1	A,E,E1	1167644	Controller, G-Trac, 4-Pole, MK6i	1	1
2	F	1168375-NLA	NLA - Controller Mounting Bracket Assembly w/ Short Stand-Offs	1	1
2	G	1173567-NLA	NLA - Controller Mounting Bracket Assembly w/ Long Stand-Offs	1	1
3	B	1168900	Kit, Controller Mounting Hardware	1	1
4			Locknut (M5 x .8)	1	2
5			Screw, Socket Button Head w/ Patch (M5 x .8 x 25mm)	1	2
6			Screw, Thumb (M5 x .8 x 12mm)	1	2
7	C,H	1160738	Kit, G-Trac Gyro Module Harness w/ Mounting Hardware	1	1
8			Harness, Module, Gyro, G-Trac (638mm Long)	1	1
9			Screw (M6 x 1 x 20mm)	1	1
10			Nut (M6 x 1mm)	1	1
11	D	1139985	Programmer, MK6i Remote	1	1
11	D	1142215	Kit, MK6i Remote Programmer w/ SD Professional Card & Card Holder (1813M6)	1	1
12		1139997	Cover, SD Card Slot	1	1

NOTE: A - 4-Pole G-Trac Controller is used when the Drive Type Option PERF is selected on-chair
 B - Includes items 4-6
 C - Includes items 8-10
 D - The MK6i Programmer Manual (1141471) is not included and is strongly recommended that the guide be ordered.
 E - G-Trac Controller comes standard on-chair for 2-Pole and 4-Pole Motor equipped wheelchairs.
 E1 - The G-Trac Gyro Module, however, is an option for wheelchairs with 2-Pole Motors (Before 12/01/10) and standard for wheelchairs with (2-Pole Motors After 11/30/10) and 4-Pole Motors.
 F - Used Before 07/11/11. Part #1168375 is No Longer Available. For wheelchairs manufactured Before 07/11/11 you must order a complete "Shrouds & Hardware - Conversion Kit dated Before 07/11/11".
 G - Used After 07/10/11. Bracket was revised and longer Stand-Offs were added measuring approximately 5/16" longer than the Short Stand-Offs to accommodate the Shrouds that were revised 07/11/11.
 H - Item #8 part #1156629 plugs into the Controller and the other connector plugs into the Accessory Harness for Seating.