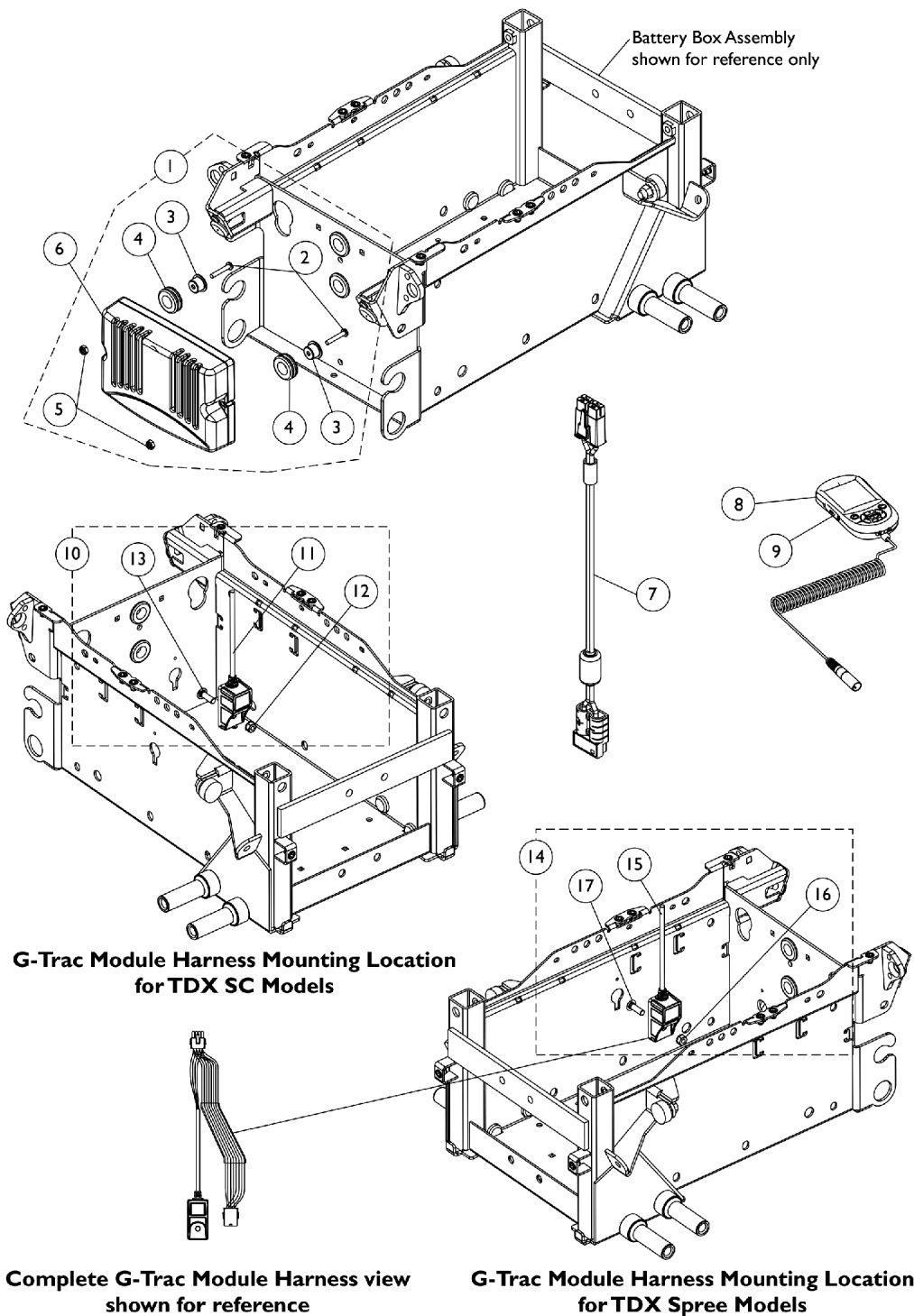


Controller, G-Trac, Programmer, 2-Pole, MK6i - TDXSC and Spree



Controller, G-Trac, Programmer, 2-Pole, MK6i - TDXSC and Spree

Item Number	Note	Part Number	Description	Quantity Per	
				Package	Assembly
1	A	1145070	Kit, Controller Mounting Hardware	1	1
2			Screw, Phillips Pan Head (#8-32 x 1")	1	2
3			Bushing	1	2
4			Grommet, Rubber (9/16 ID x 1-1/16 OD x 3/8")	1	2
5			Locknut (#8-32)	1	2
6		1156627	Controller, G-Trac, 2-Pole, MK6i	1	1
7		60102824	Kit, Cable, Battery Extension	1	1
8	B	1139985	Programmer, MK6i Remote	1	1
8	B	1142215	Kit, MK6i Remote Programmer w/ SD Professional Card & Card Holder (1813M6)	1	1
9		1139997	Cover, SD Card Slot	1	1
10	C,F	1157133	Kit, G-Trac Module Harness w/ Mounting Hardware	1	1
11			Harness, Module, Gyro, G-Trac	1	1
12			Screw (M6 x 1 x 20mm)	1	1
13			Nut (M6 x 1mm)	1	1
14	D	1160738	Kit, G-Trac Gyro Module Harness w/ Mounting Hardware	1	1
15			Harness, Module, Gyro, G-Trac (638mm Long)	1	1
16			Screw (M6 x 1 x 20mm)	1	1
17			Nut (M6 x 1mm)	1	1
	E	1095502-NLA	NLA - Package, Tie Wrap (11-1/2" L)	10	1

NOTE: A - Includes items 2-5.
 B - The MK6i Programmer Manual (1141471) is not included and is strongly recommended the guide be ordered or downloaded from Literature Fulfillment.
 C - Includes items 11-13 and used on TDX SC Models only.
 D - Includes items 15-17 and used on TDX Spree Models only.
 E - Not Shown
 F - Item #11 part #1156626 plugs into the Controller and the other connector plugs into the Accessory Harness for Seating.