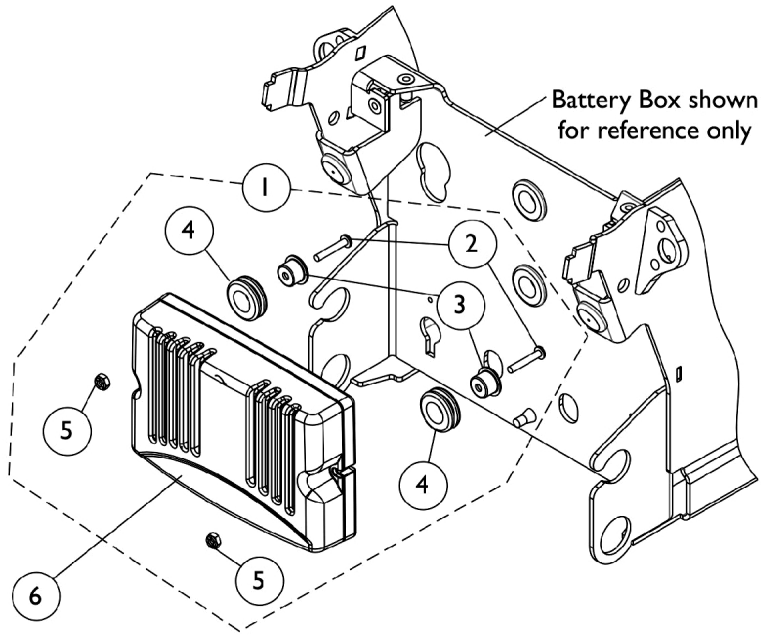
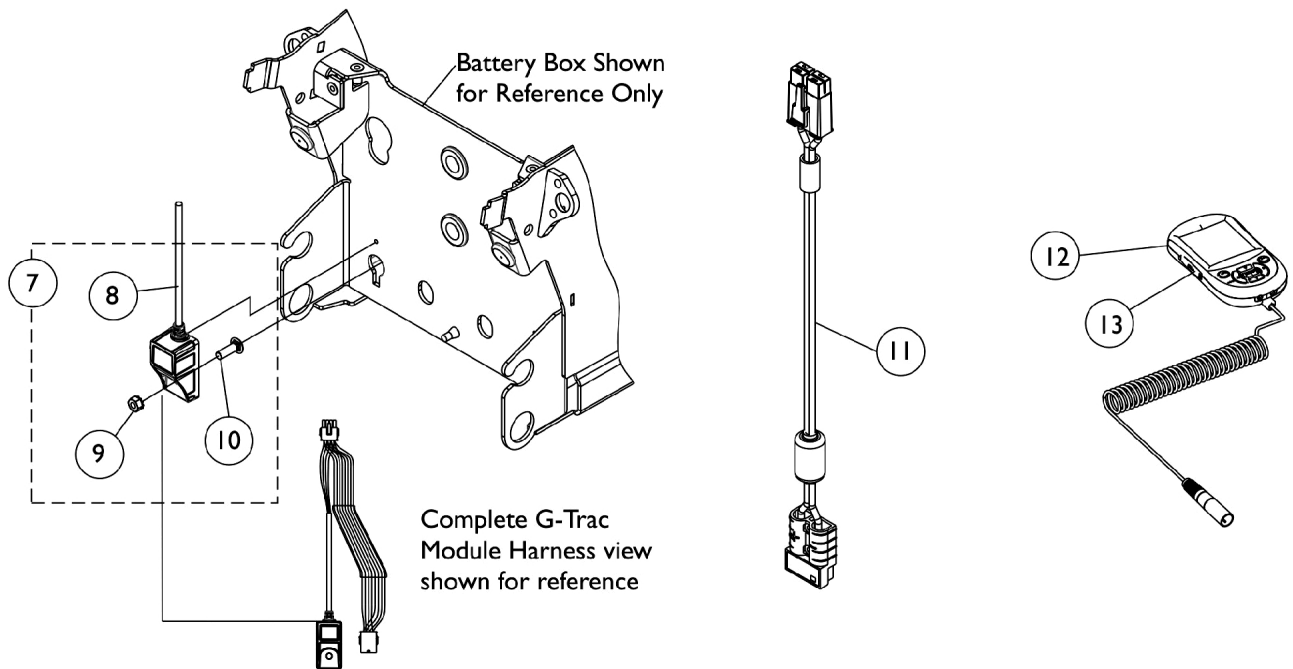


Controller - G-Trac, Programmer, 4-Pole, MK6i - TDXSP/SP-GT



MK6i G-Trac Controller Mounting Hardware



Controller - G-Trac, Programmer, 4-Pole, MK6i - TDXSP/SP-GT

Item Number	Note	Part Number	Description	Quantity Per	
				Package	Assembly
1	A	1145070	Kit, Controller Mounting Hardware	1	1
2			Screw, Phillips Pan Head (#8-32 x 1")	1	2
3			Bushing	1	2
4			Grommet, Rubber (9/16 ID x 1-1/16 OD x 3/8")	1	2
5			Locknut (#8-32)	1	2
6		1156624	Controller, G-Trac, 4-Pole, MK6i	1	1
7	B,E	1157133	Kit, G-Trac Module Harness w/ Mounting Hardware	1	1
8			Harness, Module, Gyro, G-Trac	1	1
9			Nut (M6 x 1mm)	1	1
10			Screw (M6 x 1 x 20mm)	1	1
11		60102824	Kit, Cable, Battery Extension	1	1
12	C	1139985	Programmer, MK6i Remote	1	1
12	C	1142215	Kit, MK6i Remote Programmer w/ SD Professional Card & Card Holder (1813M6)	1	1
13		1139997	Cover, SD Card Slot	1	1
	D	1095502-NLA	NLA - Package, Tie Wrap (11-1/2" L)	10	1

NOTE: A - Includes items 2-5.
 B - Includes items 8-10.
 C - The MK6i Programmer Manual (1141471) is not included and is strongly recommended the guide be ordered or downloaded from Literature Fulfillment.
 D - Not Shown
 E - Item #8 part #1156626 plugs into the Controller and the other connector plugs into the Accessory Harness for Seating.