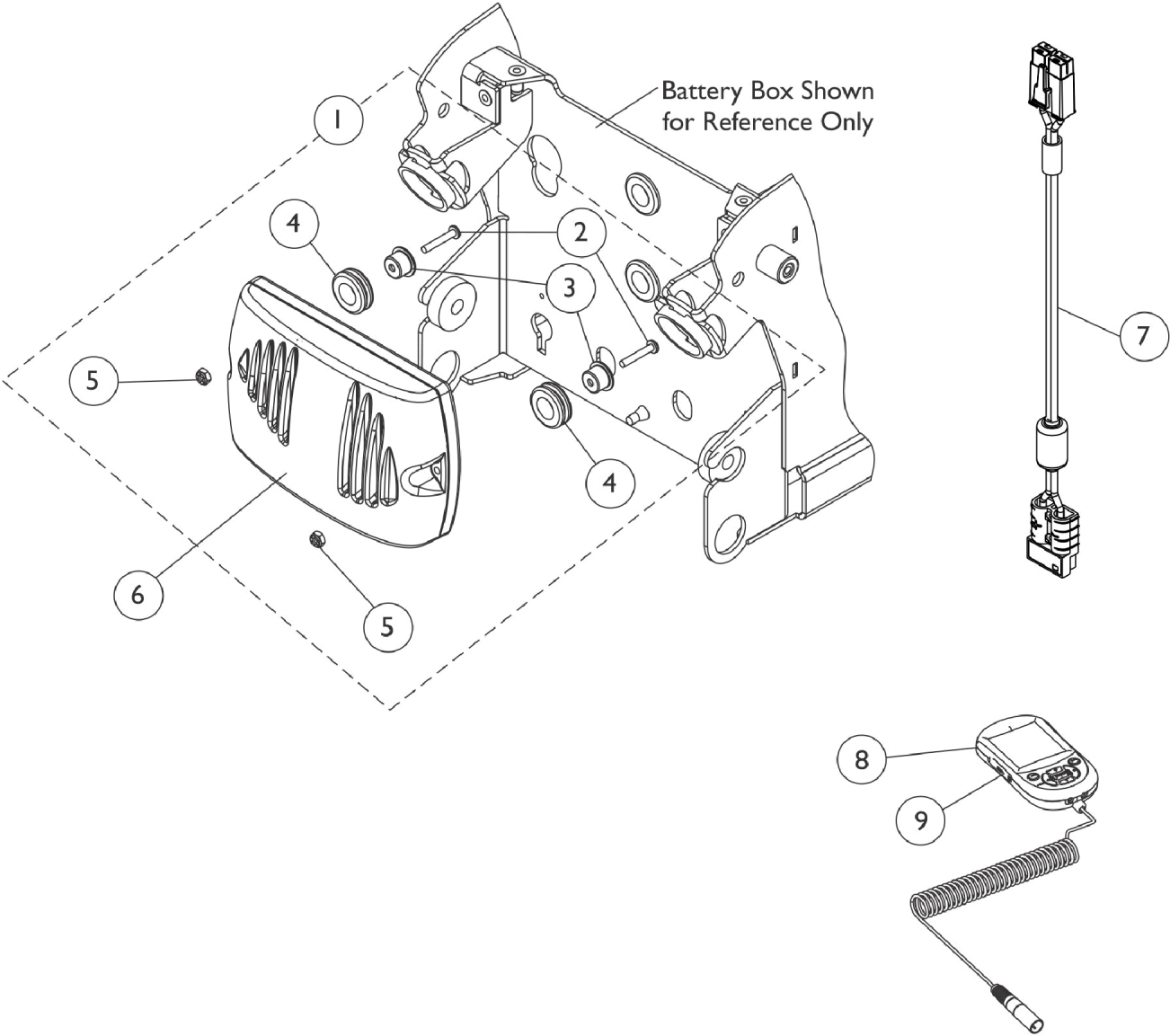


Controller, Programmer, and Mounting Hardware - TDX SI/ TDX SI-2/ TDX SI-HD

To order a Rear Shroud that covers the Battery Box and Controller, refer to the TDX SI/ TDX SI-2/ TDX SI-HD Power Wheelchair parts catalog. See page titled "Shrouds and Hardware".



Controller, Programmer, and Mounting Hardware - TDX SI/ TDX SI-2/ TDX SI-HD

To order a Rear Shroud that covers the Battery Box and Controller, refer to the TDX SI/ TDX SI-2/ TDX SI-HD Power Wheelchair parts catalog. See page titled "Shrouds and Hardware".

Item Number	Note	Part Number	Description	Quantity Per	
				Package	Assembly
1	A	1145070	Kit, Controller Mounting Hardware	1	1
2			Screw, Phillips Pan Head (#8-32 x 1")	1	2
3			Bushing	1	2
4			Grommet, Rubber (9/16 ID x 1-1/16 OD x 3/8")	1	2
5			Locknut (#8-32)	1	2
6	D	1157825	Controller, MK660-2 w/ ACC	1	1
6	E	1161957	Controller, MK690-2	1	1
6	F	1126182-NLA	NLA - Controller, MK5 NX-75	1	1
7		60102824	Kit, Cable, Battery Extension	1	1
8	C	1139985	Programmer, MK6i Remote	1	1
8	C	1142215	Kit, MK6i Remote Programmer w/ SD Professional Card & Card Holder (1813M6)	1	1
9		1139997	Cover, SD Card Slot	1	1
	B	1095502-NLA	NLA - Package, Tie Wrap (11-1/2" L)	10	1

NOTE: A - Includes items 2-5
 B - Not Shown
 C - The MK6i Programmer Manual (1141471) is not included and is strongly recommended the guide be ordered or downloaded from Literature Fulfillment.
 D - For use on Non-Heavy Duty chairs. (TDX SI-2 model excluded. See part number 1126182).
 E - For use on Heavy Duty chairs.
 F - TDX SI-2 model only uses the MK5 NX-75 Controller.