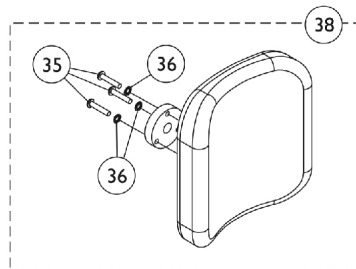
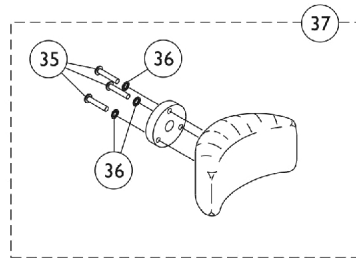
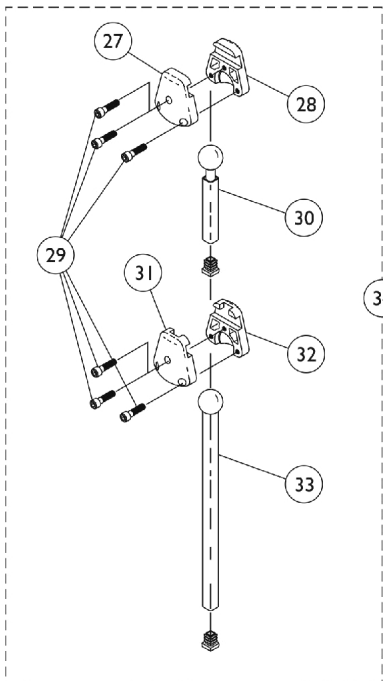
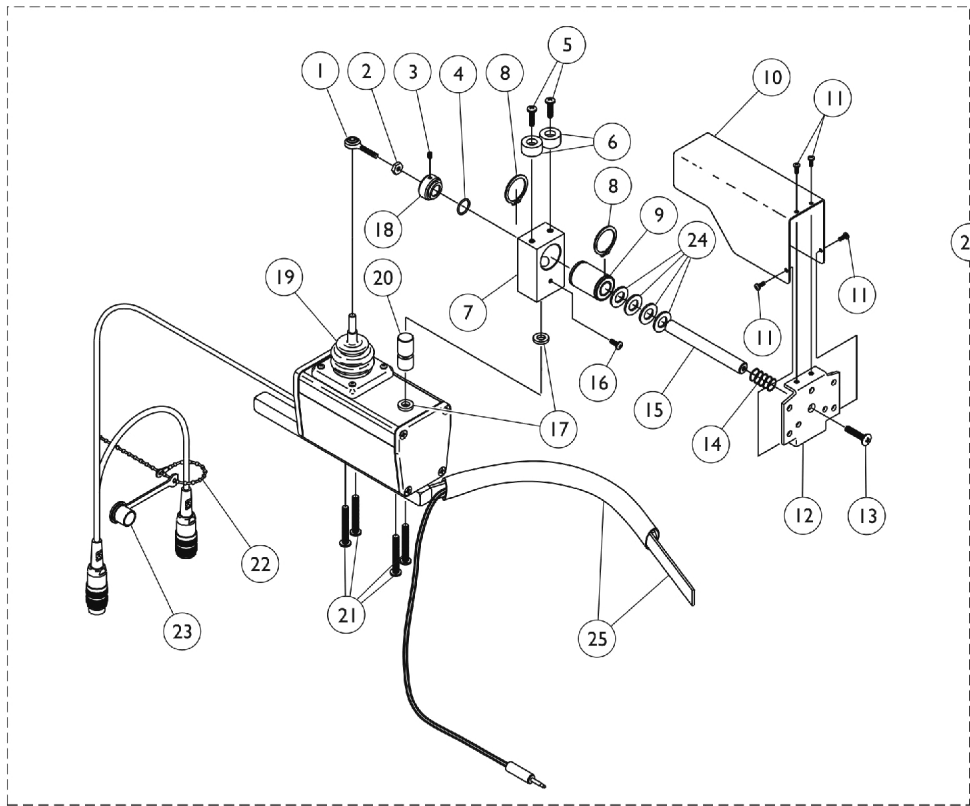


MKIV R.I.M. Head Control Assembly (1500M4) (After 8/15/95)



MKIV R.I.M. Head Control Assembly (1500M4) (After 8/15/95)

Item Number	Note	Part Number	Description	Quantity Per	
				Package	Assembly
1		1001625	Tie Rod End	1	1
2		48095X000-NLA	NLA - Locknut (#10-32)	1	1
3		1025275-NLA	NLA - Screw, Set w/ Patch (#8-32 x 1/4")	1	1
4		2001139	O-Ring (1/2" I.D.)	1	1
5		1028529	Screw, Phillips Pan Head (#8-32 x 3/8")	1	2
6		1055002-NLA	NLA - Washer, Nylon	1	2
7		1056206	Block, Pivot	1	1
8		1054939-NLA	NLA - Ring, Snap	1	2
9		1018113	Bearing, Linear	1	1
10		1055014-NLA	NLA - Shield, Push Rod	1	1
11		1021742	Screw, Phillips Pan Head (#4-40 x 1/2")	1	4
12		1055031-NLA	NLA - Bracket, Headrest Mounting, Black	1	1
13		40127X002-NLA	NLA - Screw, Phillips Oval Head (#10-32 x 3/4")	1	1
14		1055145-NLA	NLA - Spring, Compression (19/32 x 1-1/4 x 1/32")	1	1
15		1055016-NLA	NLA - Rod, Push	1	1
16		1026728-NLA	NLA - Screw, Phillips Pan Head (#6-32 x 1/4")	1	1
17		1010398	Washer, Nylon (1/4 x 1/2 x 1/16")	1	2
18		1025236-NLA	NLA - Collar, Shoulder	1	1
19		50000X364-NLA	NLA - Boot, Joystick	1	1
20		1055017-NLA	NLA - Rod, Pivot	1	1
21		11008X014-NLA	NLA - Screw, Phillips Round Head (#10-32 x 1")	1	4
22		1038256-NLA	NLA - Tie Wrap (4-1/4" L)	1	1
23		1037373-NLA	NLA - Cover, Splash	1	1
24		1003766-NLA	NLA - Washer, Plain (1/2 x 1 x 1/8")	1	4
25		1025271-NLA	NLA - Ribbon Reset Switch and Bracket Assembly	1	1
26	A	1056210E-NLA	NLA - Reconditioned - Joystick, Remote Head	1	1
27		1055023-NLA	NLA - Clamp, Horizontal Pivot	1	1
28		1055024-NLA	NLA - Clamp, Threaded, Horizontal Pivot	1	1
29		1055144-NLA	NLA - Screw, Socket Head (M6 x 1 x 25mm)	1	6
30		1055028	Tube, Slide, Square, Short	1	1
31		1055025-NLA	NLA - Clamp, Vertical Pivot	1	1
32		1055026-NLA	NLA - Clamp, Threaded, Vertical Pivot	1	1
33		1055027-NLA	NLA - Tube, Slide, Square, Long	1	1
34	B	1056213-NLA	NLA - Hardware, Adjustment	1	1
35		1005383	Screw, Socket Button Head (#10-32 x 1")	1	3
36		1027263-NLA	NLA - Washer, Lock Internal Tooth (#10)	1	3
37	C	1056211-NLA	NLA - Kit, Headrest with Hardware, Otto Bock, Small	1	1
38	D	1056212	Kit, Headrest with Hardware, Large	1	1
	E	1056087-NLA	NLA - Screw, Socket Head (#10-32 x 1/2")	1	4

NOTE: A - Includes items 1-25.
B - Includes items 27-33 and the Plug Buttons that attach to item 30 and 33 Slide Tubes. The Plug Buttons are not saleable.
C - Includes the Headrest Adapter and items 35 and 36.
D - Includes the Headrest Adapter and items 35 and 36. The LaBac Headrest is no longer used as of 12/6/10 that was attached with Screw part # 1056087 (4 ea.). The screw is still available to order for existing LaBac Headrest in the field.
E - Used for existing LaBac Headrest in the field only.