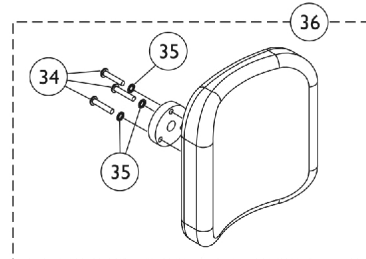
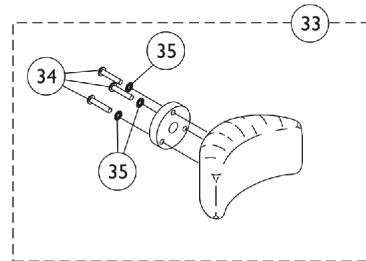
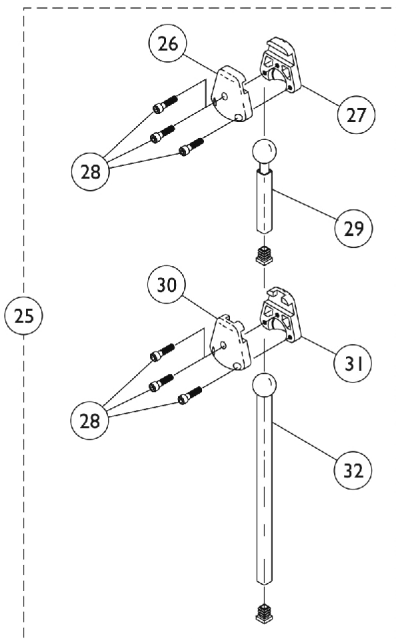
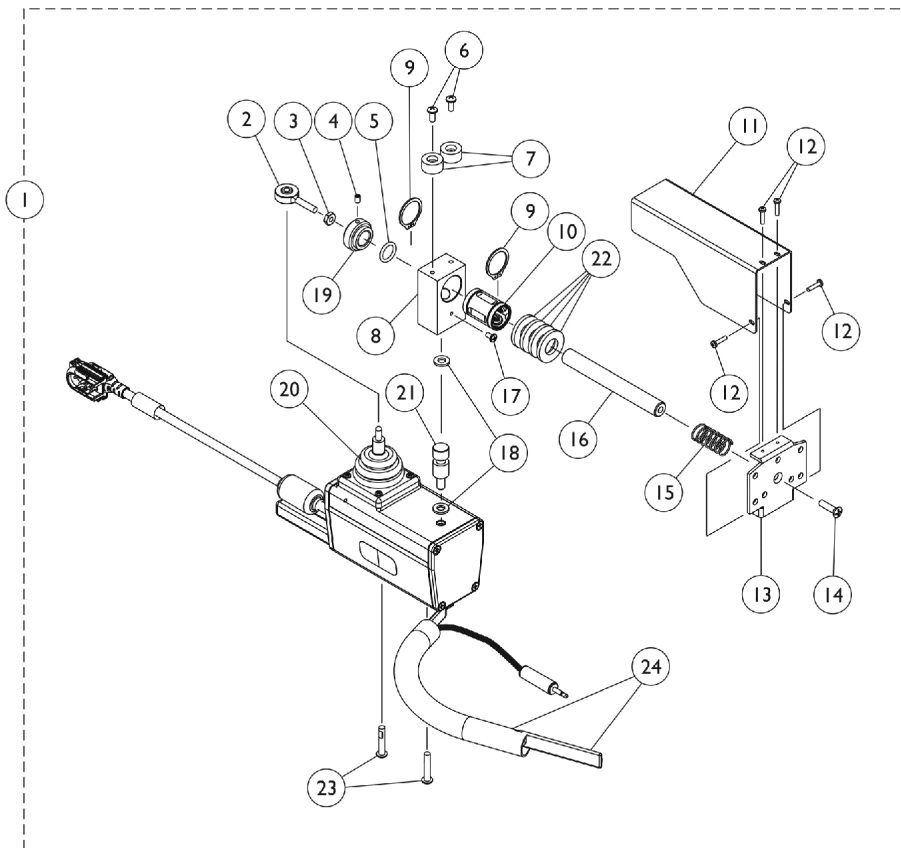


# R.I.M. Head Control Assembly (1500M6)



## R.I.M. Head Control Assembly (1500M6)

Item Number	Note	Part Number	Description	Quantity Per	
				Package	Assembly
1	A	1136889	Joystick, Remote Head MK6i (72" L)	1	1
1	A,C	1167929	Joystick, Remote Head MK6i (38" L)	1	1
2		1001625	Tie Rod End	1	1
3		48095X000-NLA	NLA - Locknut (#10-32)	1	1
4		1025275-NLA	NLA - Screw, Set w/ Patch (#8-32 x 1/4")	1	1
5		2001139	O-Ring (1/2" I.D.)	1	1
6		1028529	Screw, Phillips Pan Head (#8-32 x 3/8")	1	2
7		1055002-NLA	NLA - Washer, Nylon	1	2
8		1056206	Block, Pivot	1	1
9		1054939-NLA	NLA - Ring, Snap	1	2
10		1018113	Bearing, Linear	1	1
11		1055014-NLA	NLA - Shield, Push Rod	1	1
12		1021742	Screw, Phillips Pan Head (#4-40 x 1/2")	1	4
13		1055031-NLA	NLA - Bracket, Headrest Mounting, Black	1	1
14		40127X002-NLA	NLA - Screw, Phillips Oval Head (#10-32 x 3/4")	1	1
15		1055145-NLA	NLA - Spring, Compression (19/32 x 1-1/4 x 1/32")	1	1
16		1055016-NLA	NLA - Rod, Push	1	1
17		1026728-NLA	NLA - Screw, Phillips Pan Head (#6-32 x 1/4")	1	1
18		1010398	Washer, Nylon (1/4 x 1/2 x 1/16")	1	2
19		1025236-NLA	NLA - Collar, Shoulder	1	1
20		50000X364-NLA	NLA - Boot, Joystick	1	1
21		1055017-NLA	NLA - Rod, Pivot	1	1
22		1003766-NLA	NLA - Washer, Plain (1/2 x 1 x 1/8")	1	4
23		11008X014-NLA	NLA - Screw, Phillips Round Head (#10-32 x 1")	1	2
24		1025271-NLA	NLA - Ribbon Reset Switch and Bracket Assembly	1	1
25	B	1056213-NLA	NLA - Hardware, Adjustment	1	1
26		1055023-NLA	NLA - Clamp, Horizontal Pivot	1	1
27		1055024-NLA	NLA - Clamp, Threaded, Horizontal Pivot	1	1
28		1055144-NLA	NLA - Screw, Socket Head (M6 x 1 x 25mm)	1	6
29		1055028	Tube, Slide, Square, Short	1	1
30		1055025-NLA	NLA - Clamp, Vertical Pivot	1	1
31		1055026-NLA	NLA - Clamp, Threaded, Vertical Pivot	1	1
32		1055027-NLA	NLA - Tube, Slide, Square, Long	1	1
33	D	1056211-NLA	NLA - Kit, Headrest with Hardware, Otto Bock, Small	1	1
34		1005383	Screw, Socket Button Head (#10-32 x 1")	1	3
35		1027263-NLA	NLA - Washer, Lock Internal Tooth (#10)	1	3
36	E	1056212	Kit, Headrest with Hardware, Large	1	1
34		1005383	Screw, Socket Button Head (#10-32 x 1")	1	3
35		1027263-NLA	NLA - Washer, Lock Internal Tooth (#10)	1	3
	F	1056087-NLA	NLA - Screw, Socket Head (#10-32 x 1/2")	1	4

# R.I.M. Head Control Assembly (1500M6)

NOTE: A - Includes items 2-24.  
B - Includes items 26-32 and the Plug Buttons that attach to item 29 and 32 Slide Tubes. The Plug Buttons are not saleable.  
C - FDX models use part # 1167929 Remote Head Joystick that has a 38" long cable length.  
D - Includes the Headrest, Adapter and items 34 and 35.  
E - Includes the Headrest, Adapter and items 34 and 35. The LaBac Headrest is no longer used as of 12/6/10 that was attached with Screw part # 1056087 (4 ea.). The screw is still available to order for existing LaBac Headrest in the field.  
F - Used for existing LaBac Headrest in the field only.