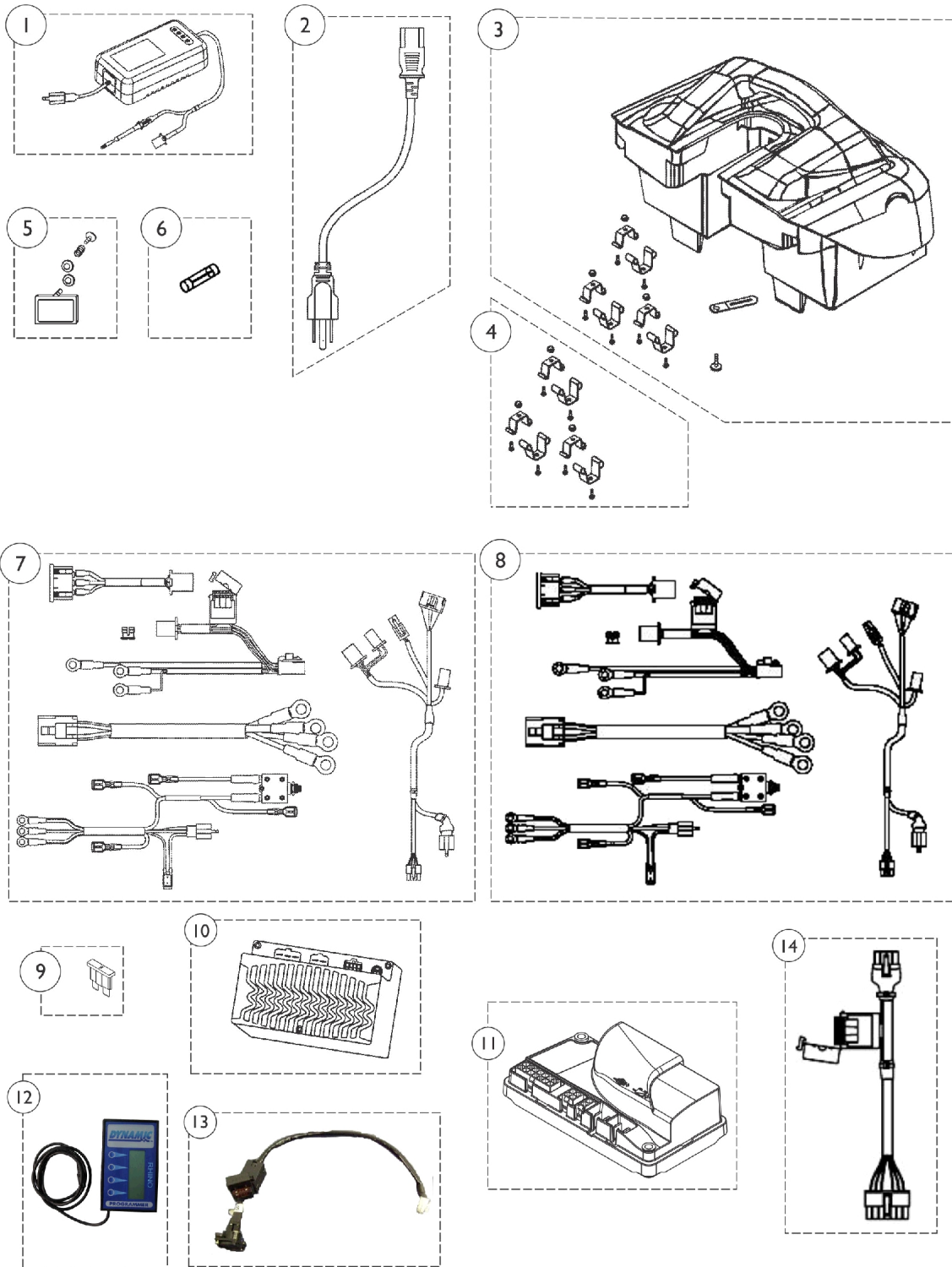


Battery Box, Charger, Controller & Harnesses



Battery Box, Charger, Controller & Harnesses

Item Number	Note	Part Number	Description	Quantity Per	
				Package	Assembly
1		1144797	Charger, On Board (2 AMP)	1	1
2		1144798	Cable, Charger	1	1
3	J	1144800-NLA	NLA - Kit, Battery Box Includes: (1) ea. Battery Cover, (6) ea. Battery Terminals, (3) ea. Bolts, (3) ea. Nuts, (3) ea. Tapping Screws, (1) ea. Wire Clamp, and (1) ea. Screw	1	1
4		1175906	Kit, Battery Box Hardware Includes: (6) ea. Battery Terminals, (3) ea. Bolts, (3) ea. Nuts, (3) ea. Tapping Screws	1	1
5		1144801	Kit, Charger Cover Port Includes: (1) ea. Inlet Cover, (2) ea. Plain Washer, (1) ea. Spring, and (1) ea. Bolt	1	1
6		1144835	Fuse (3 AMP)	1	1
7	F	1144799-NLA	NLA - Kit, Rear Wiring Harness for Rhino-70 Controller Includes: (1) ea. Battery & Charger Wire (1) ea. Power Inlet (1) ea. Battery Wire (1) ea. Motor/Brake Wire (1) ea. Battery Wire (1) ea. Rear Wiring Group	1	1
8	G,K	1162981	Kit, Wiring Harness for DC-50 Controller Includes: (1) ea. Battery and Charger Wire (1) ea. Power Inlet (1) ea. Battery Wire (1) ea. Motor/Brake Wire (1) ea. Battery Wire (1) ea. Rear Wiring Group	1	1
9		1144836	Fuse (5 AMP)	1	1
10	H	1144790	Controller, Rhino, Purple (70 AMP)	1	1
	A,E	1144837-NLA	NLA - Batteries, 12 Volt (A2SH) (Pair)	2	1
11	I	1148821	Controller, DR-50, Black	1	1
12	B,D	1150954-NLA	NLA - Programmer, Remote, ADV-PRO Dynamics	1	1
	C	1124242	Programmer, Remote (DS2K-PD)	1	1
	A,D	1154157	Programmer, Hand Held (DX-HHP) for DR-50 Controller	1	1
13		1165866	Cable, Charger w/ Fuse	1	1
14		1148832-NLA	NLA - Kit, Rear Wiring Harness	1	1

Battery Box, Charger, Controller & Harnesses

NOTE: A - Used on scooters with serial number 07JCT600001 and later.
B - Must match or verify the labels on the controller to verify it's correct model type.
C - Remote Programmer is a direct service replacement part for scooters with serial numbers prior to 07JCT600001.
D - Not Shown
E - This part number is no longer available. Please order 12AH-2 for replacement.
F - Used with Rhino-70 Controller Only.
G - Used with DC-50 Controller Only.
H - Before 12/06/07. Controller Outer Case is purple.
I - After 12/05/07. Controller Outer Case is black.
J - Harness and fuse are not included. See item #7 or #8.
K - When item #8 is ordered item #14 1148832 Rear Wiring Harness must be ordered as well.