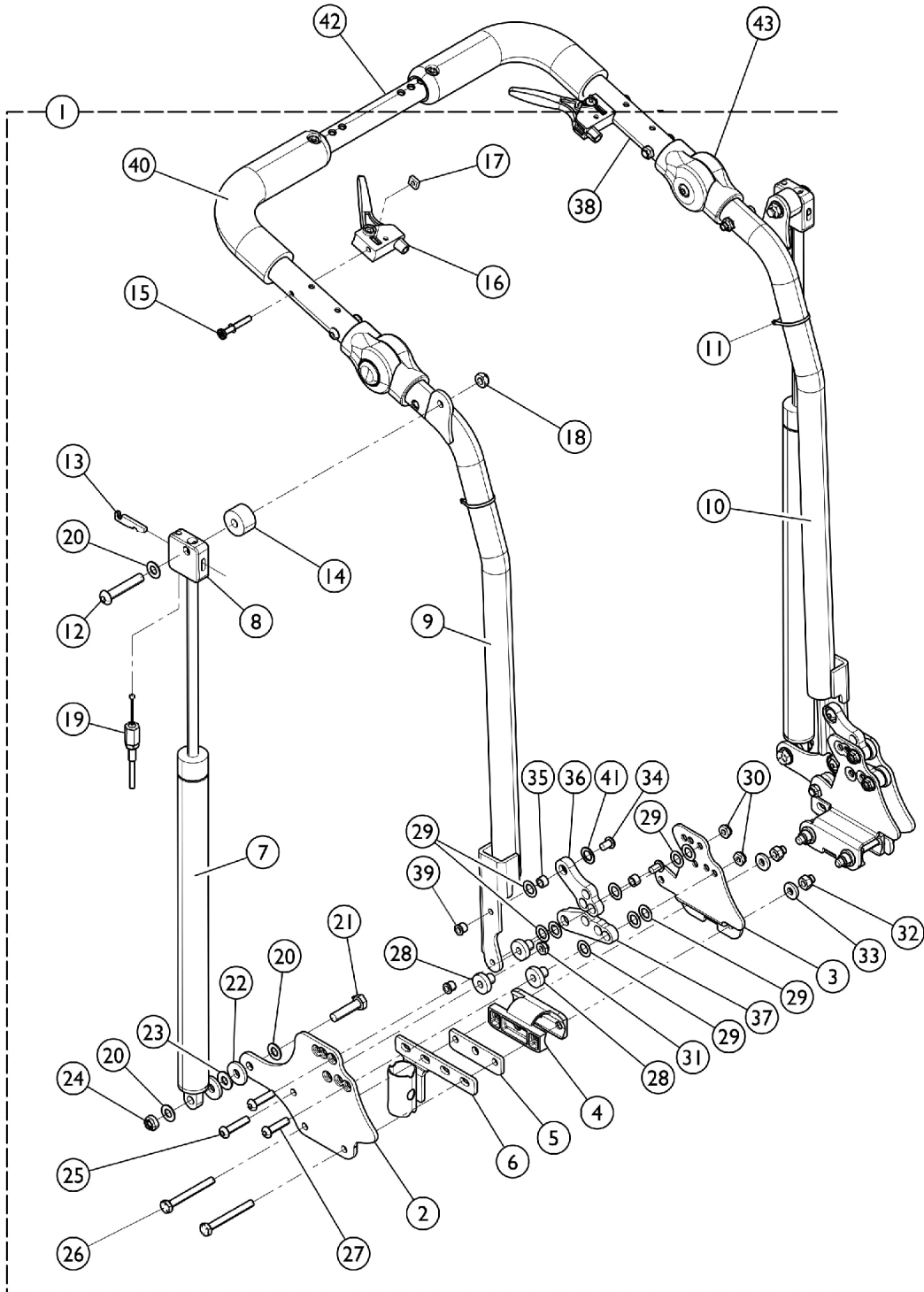


Recliner - Low Shear - Retro-Fit Kit w/o Upholstery

The Recliner Retro-Fit Kit can be used on the Solara® 2G as long as the seat depth is not set at its deepest settings (Small Frame: 16" D, Medium Frame: 19" D, Large Frame: 22" D)



SCM_084B

Recliner - Low Shear - Retro-Fit Kit w/o Upholstery

The Recliner Retro-Fit Kit can be used on the Solara® 2G as long as the seat depth is not set at its deepest settings (Small Frame: 16" D, Medium Frame: 19" D, Large Frame: 22" D)

Item Number	Note	Part Number	Description	Quantity Per	
				Package	Assembly
1	A	1171136	Kit, Retro-Fit, Low Shear Recliner w/o Upholstery	1	1
2			Plate, Outer - Right	1	1
2			Plate, Inner - Left	1	1
3			Plate, Inner - Right	1	1
3			Plate, Outer - Left	1	1
4			Universal Washer	1	2
5			Plate, Spacer	1	2
6			Arm Cup Assembly, Rear - Right	1	1
6			Arm Cup Assembly, Rear - Left	1	1
7			Cylinder, Gas, Recliner	1	2
8			Bracket, Cylinder Release, Black	1	2
9			NLA - Cane, Back, Recliner, Black - Right	1	1
10			NLA - Cane, Back, Recliner, Black - Left	1	1
11			Tie Wrap (3-29/32" L)	1	2
12			NLA - Screw, Socket Button Head (5/16-24 x 1-3/4")	1	2
13			Lever, Cylinder Release	1	2
14			Bushing (5/16 x 1")	1	2
15			Screw, Allen Head (1/4-28 x 1-1/4")	1	2
16			Screw, Phillip Pan Head (10-32 x 1-3/8")	1	2
17			Handle, Cable Release, Black	1	2
18			Nut, Square (#10-32)	1	2
19			Locknut (5/16-24)	1	2
20			Cable Release Assembly	1	2
21			Washer, Steel (21/64 x 5/8 x 3/64")	1	6
22			Screw, Hex Head w/ Patch (5/16-18 x 1-1/4")	1	2
23			Washer, Nylon (5/16 x 7/8 x 1/8")	1	4
24			Washer, Nylon (5/16 x 11/16 x 1/16")	1	2
25			Locknut (5/16-18)	1	2
26			Screw, Socket Button Head (1/4-28 x 1-1/8")	1	2
27			Screw, Hex Head (1/4-28 x 2-1/4")	1	4
28			Screw, Button Head, Socket, Cap (1/4-28 x 1")	1	4
29			Bushing, Pivot	1	6
30			Washer, Nylon (3/8 x 5/8 x 3/64)	1	4
31			Locknut, Thin (1/4-28)	1	4
32			Locknut (1/4-28)	1	2
33			Nut, Hex Nylon (1/4-28)	1	4
34			Washer (1/4 x 5/8 x 3/32")	1	4
35			Screw, Socket, Button (1/4-20 x 3/8")	1	4
36			Bushing (3/8 x 1/2 x 3/16)	1	4
37			Link, Upper, Reclining Back - Right	1	1
37			Link, Upper, Reclining Back - Left	1	1
38			Link, Lower, Reclining Back - Right	1	1
38			Link, Lower, Reclining Back - Left	1	1
39			Nut, Barrel (1/4-20)	1	4
40			Stroller Handle Assembly - Right/Left	1	1

Recliner - Low Shear - Retro-Fit Kit w/o Upholstery

The Recliner Retro-Fit Kit can be used on the Solara® 2G as long as the seat depth is not set at its deepest settings (Small Frame: 16" D, Medium Frame: 19" D, Large Frame: 22" D)

Item Number	Note	Part Number	Description	Quantity Per	
				Package	Assembly
41			NLA - Washer (1/4 x 5/8 x 1/16")	1	4
42		See Chart	#42 Crossbrace Tube	1	1
43	B	1134190	Kit, Stroller Handle, Adjustable Angle - Outside Mount	1	1
			Screw, Socket Button Head (1/4-28 x 1-1/4")	1	2
			Gear, Stroller Handle	1	2
			Screw, Socket Head (1/4-28 x 1-1/4")	1	2
			Screw, Socket Head (1/4-28 x 1-1/4")	1	2
			Locknut (1/4-28)	1	2
			Locknut (1/4-28)	1	4
NOTE: A - Includes items 2 - 40. Instruction sheet not shown in illustration but is included with Kit. B - Includes Gear, Screws, and Nuts.					

#42 Crossbrace Tube

12-16" Wide	14-18" Wide	16-20" Wide	18-22" Wide	20-24" Wide
1129473	1129474	1129475	1129476	1159455