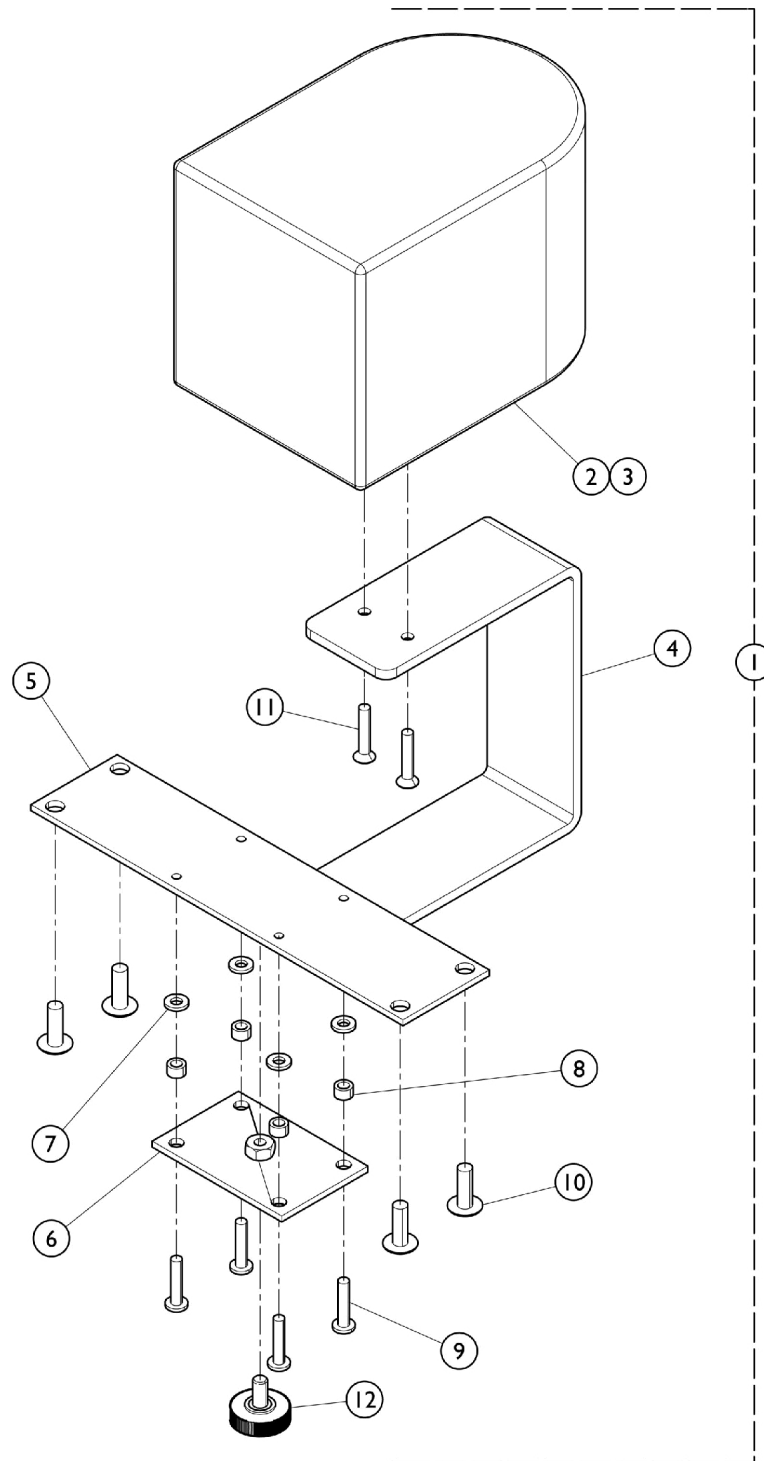


Abduction Pommel

THE PRODUCTION OF THE HTR IS CURRENTLY SUSPENDED AND SOME SERVICE PARTS MAY NOT BE AVAILABLE TO ORDER.



Abduction Pommel

THE PRODUCTION OF THE HTR IS CURRENTLY SUSPENDED AND SOME SERVICE PARTS MAY NOT BE AVAILABLE TO ORDER.

Item Number	Note	Part Number	Description	Quantity Per	
				Package	Assembly
1	B	46007025	Abduction Pommel Assembly, Mauve - Chrome	1	1
1	B	46007026	Abduction Pommel Assembly, Grotto - Chrome	1	1
1	B	46007027	Abduction Pommel Assembly, Blueberry - Chrome	1	1
1	C	1129623	Abduction Pommel Assembly, Mauve - Grey	1	1
1	C	1129624	Abduction Pommel Assembly, Grotto - Grey	1	1
1	C	1129625	Abduction Pommel Assembly, Blueberry - Grey	1	1
2		450107-25-NLA	NLA - Cover, Abduction Pommel, Mauve	1	1
2		450107-26-NLA	NLA - Cover, Abduction Pommel, Grotto	1	1
2		450107-27-NLA	NLA - Cover, Abduction Pommel, Blueberry	1	1
3		45020525-NLA	Pommel with Cover, Mauve	1	1
3		45020526-NLA	Pommel with Cover, Grotto	1	1
3		45020527-NLA	Pommel with Cover, Blueberry	1	1
4	B	TR54011	Bracket, "U", Chrome	1	1
4	C	1125207-NLA	Bracket, "U", Grey	1	1
5	B	TR54021	Plate, Pommel Spacer - Chrome	1	1
5	C	1125208-NLA	Plate, Pommel Spacer - Grey	1	1
6	B	QC47A	Plate, Headwing - Chrome	1	1
6	C	1129545-NLA	Plate, Headwing - Grey	1	1
7		1126487	Washer, Flat Nylon (3/16 x 7/16 x 1/16")	1	4
8		1108143	Spacer, Nylon (3/16 x 5/16 x 5/16")	1	4
9	A	1108131-NLA	NLA - Screw, Phillips Pan Head (#10-24 x 1")	1	4
9	D	1121008-NLA	NLA - Screw (#10-24 x 7/8")	1	4
10		5000136	Screw, Phillips Truss Head (1/4-20 x 3/4")	1	4
11		1108140-NLA	NLA - Screw, Phillips Flat Head (#10-24 x 1")	1	2
12		FB883	Knob, Adjustment	1	1

NOTE: A - Item no longer available, refer to Part #1121008.
 B - Before 1/24/05. For use on chairs with "Chrome Frame Finish."
 C - After 1/23/05. For use on chairs with "Grey Frame Finish."
 D - No Longer Available individually. See Category titled "Lateral Trunk Support" for Kit # HRA20K as replacement.