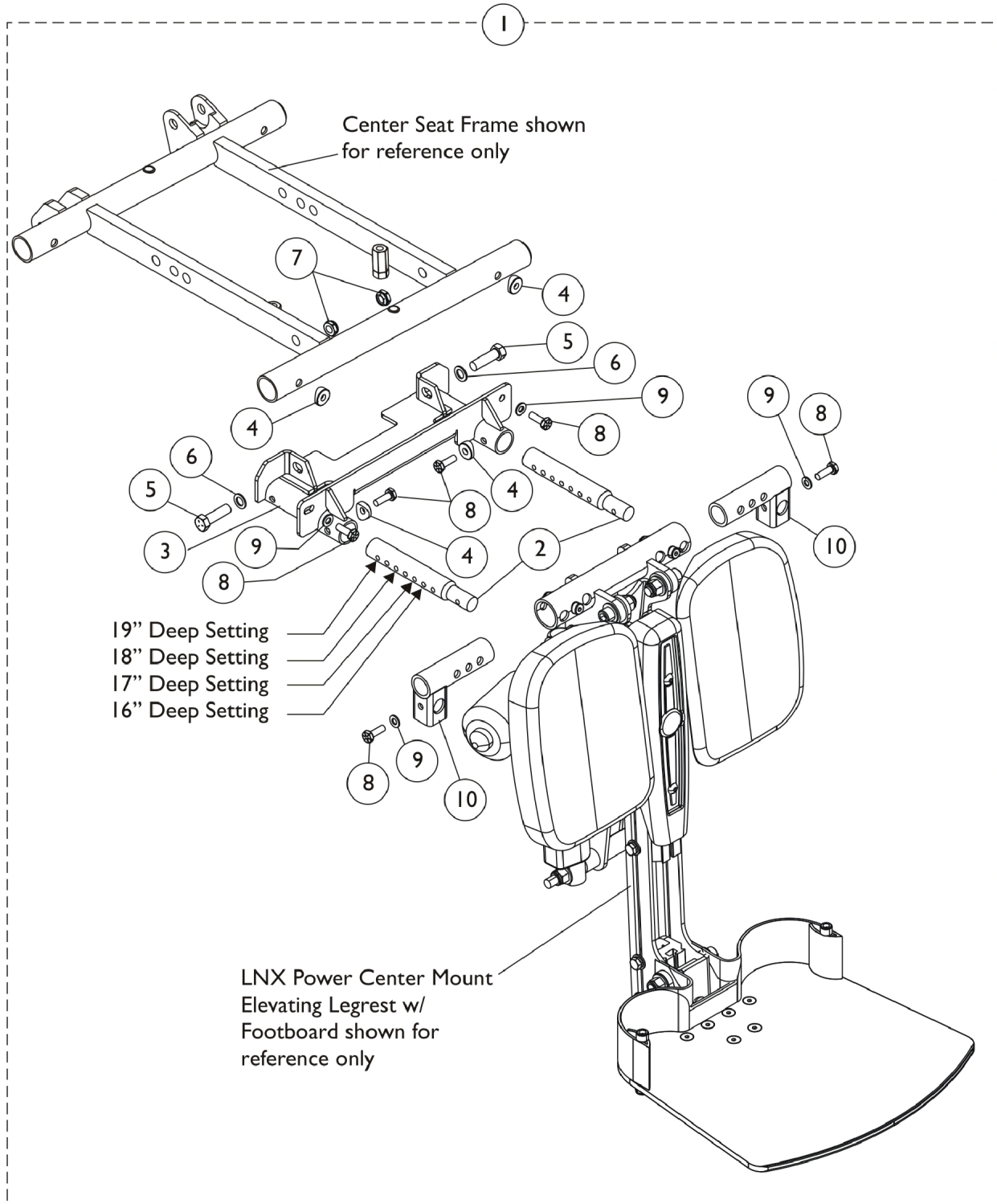


Power Center Mount Elevating Legrest - Articulating Mounting Hardware (LNX/LNX-L)

Replacement components/Kits are for existing LNX/LNX-L Front Riggings already in the field. A customer cannot retrofit LNX/LNX-L Front Riggings in the field. The wheelchair must be returned to Invacare Technical Service Department for installation. Wheelchairs equipped with smart actuators cannot retrofit to LNX/LNX-L Front Riggings at all.



Power Center Mount Elevating Legrest - Articulating Mounting Hardware (LNX/LNX-L)

Replacement components/Kits are for existing LNX/LNX-L Front Riggings already in the field. A customer cannot retrofit LNX/LNX-L Front Riggings in the field. The wheelchair must be returned to Invacare Technical Service Department for installation. Wheelchairs equipped with smart actuators cannot retrofit to LNX/LNX-L Front Riggings at all.

Item Number	Note	Part Number	Description	Quantity Per	
				Package	Assembly
1	A	1168685	Kit, LNX/LNX-L Power Center Mount Elevating Legrest Mounting Hardware (16" - 19" D)	1	1
2			Bar, Extension, Power Center Mount (16 - 19" D)	1	2
3			Bracket, Rear, Power Center Mount	1	1
4			Spacer, Coved (1/4 x 11/16 x 1/2")	1	4
5			NLA - Screw, Hex Head (3/8-16 x 1-1/4")	1	2
6			Washer, Plain (1/4 x 9/16 x 1/16")	1	2
7			Locknut, Low Profile (3/8-16)	1	2
8			Screw, Hex Head w/ Patch (1/4-20 x 3/4")	1	6
9			Washer (1/4 x 1/2 x 1/16")	1	4
10			Bracket, LNX/LNX-L Mounting, Black - Right	1	1
10			Bracket, LNX/LNX-L Mounting, Black - Left	1	1
1	A	1168686	Kit, LNX/LNX-L Power Center Mount Elevating Legrest Mounting Hardware (19" - 20" D)	1	1
2			Bar, Extension, Power Center Mount (19 - 20" D)	1	2
3			Bracket, Rear, Power Center Mount	1	1
4			Spacer, Coved (1/4 x 11/16 x 1/2")	1	4
5			NLA - Screw, Hex Head (3/8-16 x 1-1/4")	1	2
6			Washer, Plain (1/4 x 9/16 x 1/16")	1	2
7			Locknut, Low Profile (3/8-16)	1	2
8			Screw, Hex Head w/ Patch (1/4-20 x 3/4")	1	6
9			Washer (1/4 x 1/2 x 1/16")	1	4
10			Bracket, LNX/LNX-L Mounting, Black - Right	1	1
10			Bracket, LNX/LNX-L Mounting, Black - Left	1	1
1	A	1168687	Kit, LNX/LNX-L Power Center Mount Elevating Legrest Mounting Hardware (21" - 22" D)	1	1
2			Bar, Extension, Power Center Mount (21-22" D)	1	2
3			Bracket, Rear, Power Center Mount	1	1
4			Spacer, Coved (1/4 x 11/16 x 1/2")	1	4
5			NLA - Screw, Hex Head (3/8-16 x 1-1/4")	1	2
6			Washer, Plain (1/4 x 9/16 x 1/16")	1	2
7			Locknut, Low Profile (3/8-16)	1	2
8			Screw, Hex Head w/ Patch (1/4-20 x 3/4")	1	6
9			Washer (1/4 x 1/2 x 1/16")	1	4
10			Bracket, LNX/LNX-L Mounting, Black - Right	1	1
10			Bracket, LNX/LNX-L Mounting, Black - Left	1	1

NOTE: A - Includes items 2-10