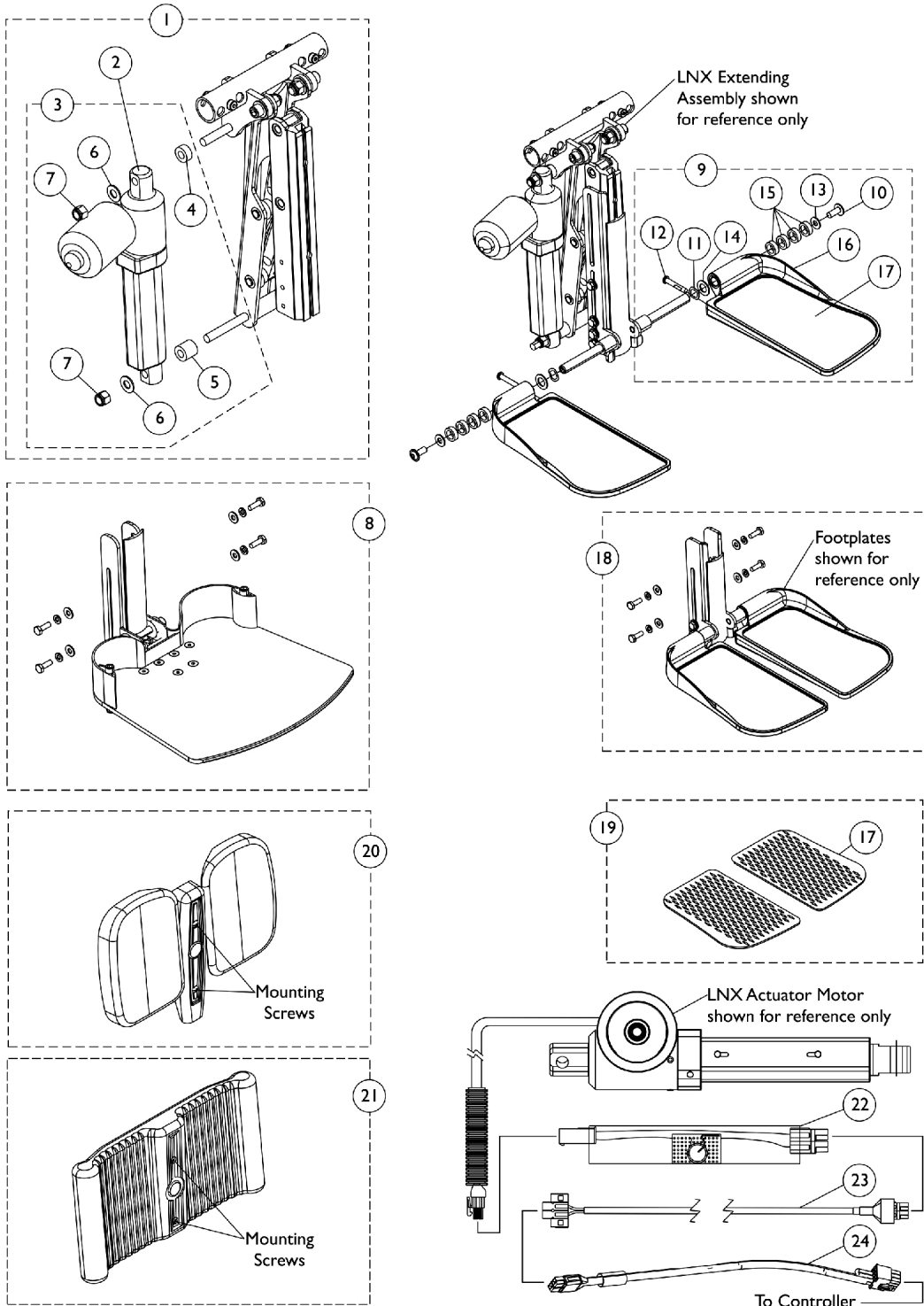


Power Center Mount Elevating Legrest - Articulating w/o Mounting Hardware (LNX/LNX-L)

Replacement components/Kits are for existing LNX/LNX-L Front Riggings already in the field. A customer cannot retrofit LNX/LNX-L Front Riggings in the field. The wheelchair must be returned to Invacare Technical Service Department for installation. Wheelchairs equipped with smart actuators cannot retrofit to LNX/LNX-L Front Riggings at all.



Power Center Mount Elevating Legrest - Articulating w/o Mounting Hardware (LNX/LNX-L)

Replacement components/Kits are for existing LNX/LNX-L Front Riggings already in the field. A customer cannot retrofit LNX/LNX-L Front Riggings in the field. The wheelchair must be returned to Invacare Technical Service Department for installation. Wheelchairs equipped with smart actuators cannot retrofit to LNX/LNX-L Front Riggings at all.

Item Number	Note	Part Number	Description	Quantity Per	
				Package	Assembly
1	A	1166939	Extending Assembly, LNX/LNX-L	1	1
2		1167935	Actuator Motor Assembly, LNX/LNX-L	1	1
3	B	1168993	Kit, LNX/LNX-L Actuator Motor Mounting Hardware	1	1
4			Spacer	1	1
5			Spacer	1	1
6			Washer, Flat (3/8")	1	2
7			Locknut (3/8-16)	1	2
8	C	1166942	Footboard Assembly w/ Mounting Hardware, LNX	1	1
8	C	1166943	Footboard Assembly w/ Mounting Hardware, LNX-L	1	1
9		See Chart	#9 Footplate Kits	1	1
18	D	1166940	Legrest Extension Bracket w/ Mounting Hardware, LNX	1	1
18	D	1166941	Legrest Extension Bracket w/ Mounting Hardware, LNX-L	1	1
19	E	1163374	Kit, Footrest Pad - Small (Pair)	1	1
17			Pad, Footplate, Small - Right	1	1
17			Pad, Footplate, Small - Left	1	1
19	E	1163375	Kit, Footrest Pad - Medium (Pair)	1	1
17			Pad, Footplate, Medium - Right	1	1
17			Pad, Footplate, Medium - Left	1	1
19	E	1163376	Kit, Footrest Pad - Large (Pair)	1	1
17			Pad, Footplate, Large - Right	1	1
17			Pad, Footplate, Large - Left	1	1
20	F	1166945	Individual Calf Pad Assembly, LNX/LNX-L (6" W x 8-1/2" H)	2	1
21	G	1166944	One Piece Calf Pad Assembly, LNX/LNX-L	1	1
22		1173265	Adapter, LNX PTC, TDX SP	1	1
23	H	1101401	Harness, ELRPW Power Legrest - Left	1	1
24	H	1148708	Harness, Power Elevating Legrest-Articulating (MPCTMT/MPCTMT-L)	1	1

NOTE: A - Includes the Extending Assembly, items 2 and 4-7.
 B - Includes items 4-7.
 C - Footboard Assembly includes the Legrest Extension Bracket and Hardware to mount to the Extending Assembly. Individual components are non-saleable.
 D - Item #18 only includes the Legrest Extension Bracket and Hardware to mount to the Extending Assembly. Individual Footplate Kits are ordered separately.
 E - Includes a pair of item #17.
 F - Includes both Calf Pads, Hardware and (2) each 1/4-20 x 7/8" Button Socket Head Screws to attach the Calf Pad Assembly. Individual components are non-saleable.
 G - Includes the One Piece Calf Pad, Hardware and (2) each 1/4-20 x 3/4" Button Socket Head Screws to attach the One Piece Calf Pad Assembly. Individual components are non-saleable.
 H - Item #23 and 24 are used for LNX/LNX-L application also.

Power Center Mount Elevating Legrest - Articulating w/o Mounting Hardware (LNX/LNX-L)

Replacement components/Kits are for existing LNX/LNX-L Front Riggings already in the field. A customer cannot retrofit LNX/LNX-L Front Riggings in the field. The wheelchair must be returned to Invacare Technical Service Department for installation. Wheelchairs equipped with smart actuators cannot retrofit to LNX/LNX-L Front Riggings at all.

#9 Footplate Kits

Footplate Side	Small 5-1/4" W x 7-1/2" L	Medium 5-1/2" W x 9-1/2" L	Large 5-7/8" W x 11-1/2" L
Right	1170683 See Note(s) A	1170685 See Note(s) A	1170687 See Note(s) A
Left	1170684 See Note(s) A	1170686 See Note(s) A	1170688 See Note(s) A
NOTE: A - Includes items 10-17. The Footplate Mounting Hardware is for adjustable width Footplates.			