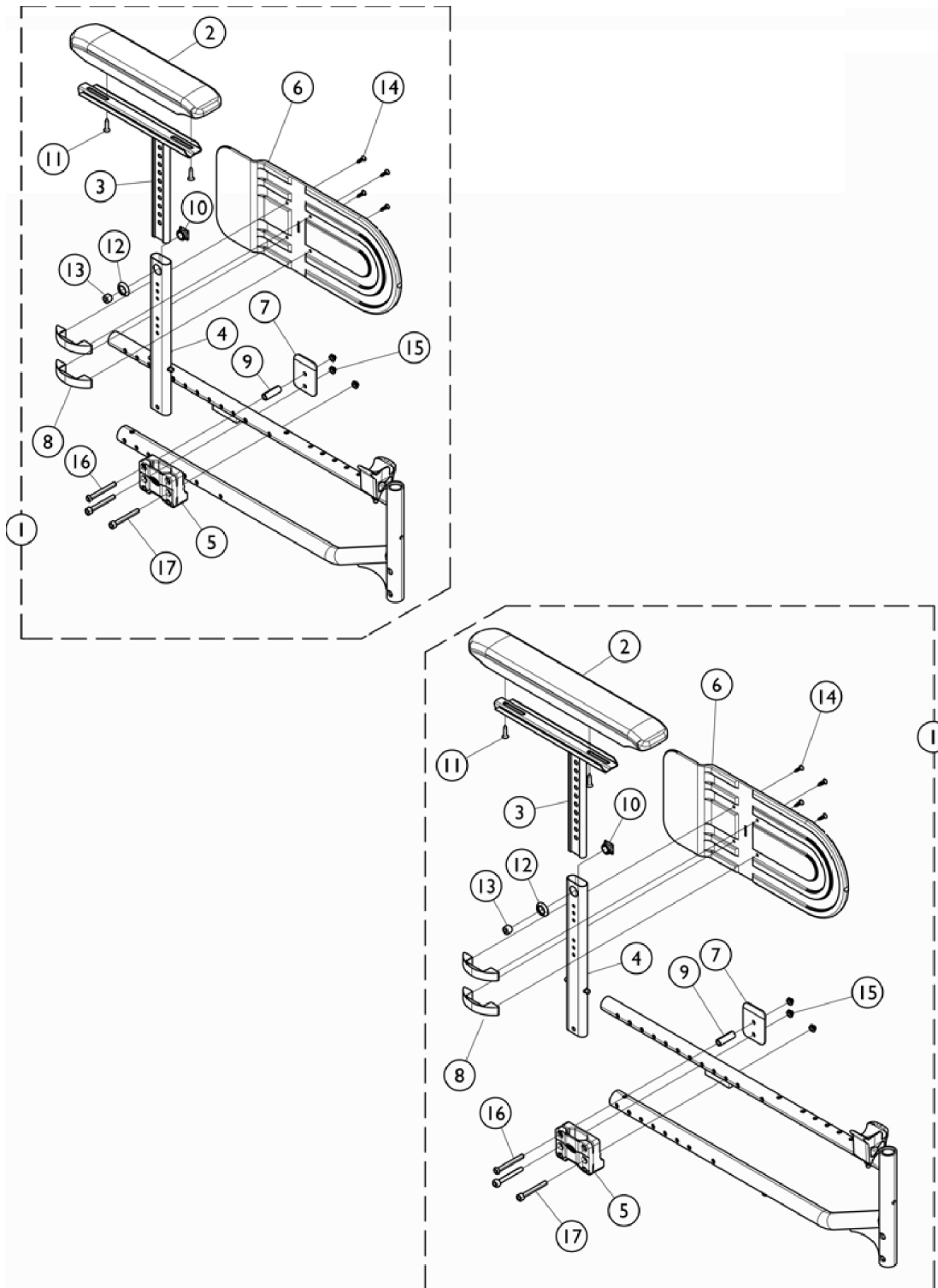


Arms - T Style Adjustable - Myon Active HD (REDL, REFL) (20" - 24" W Heavy Duty Chairs)



Arms - T Style Adjustable - Myon Active HD (REDL, REFL) (20" - 24" W Heavy Duty Chairs)

Item Number	Note	Part Number	Description	Quantity Per	
				Package	Assembly
1	A	1487437	T-Arm Assembly, Central w/ Hardware, Desk Length, Heavy Duty - Right	1	1
2			Pad, Arm, Desk Length	1	1
3			Arm Pad Mounting Assembly - Left	1	1
4			Tube, Mounting, Adjustable	1	1
5			NLA - Support, Armrest	1	1
6			Guard, Clothing	1	1
7			Support, T Arm, Heavy Duty	1	1
8			Bracket, Clothing Guard	1	1
9			Spacer, Nylon	1	1
10			Nut, Square, Armrest	1	1
11			Screw, Countersunk (M4.8)	1	2
12			Bushing, Armrest	1	1
13			Screw, Socket Head (M12 x 12.5)	1	1
14			Screw (M4.2 - 16 8.8)	1	4
15			NLA - Locknut (M6 x 1)	1	3
16			Screw, Socket Button Head (M6 x 53mm)	1	1
17			Screw, Socket Head (M6 x 50)	1	2
1	A	1487438	T-Arm Assembly, Central w/ Hardware, Desk Length, Heavy Duty - Left	1	1
2			Pad, Arm, Desk Length	1	1
3			Arm Pad Mounting Assembly - Right	1	1
4			Tube, Mounting, Adjustable	1	1
5			NLA - Support, Armrest	1	1
6			Guard, Clothing	1	1
7			Support, T Arm, Heavy Duty	1	1
8			Bracket, Clothing Guard	1	2
9			Spacer, Nylon	1	1
10			Nut, Square, Armrest	1	1
11			Screw, Countersunk (M4.8)	1	2
12			Bushing, Armrest	1	1
13			Screw, Socket Head (M12 x 12.5)	1	1
14			Screw (M4.2 - 16 8.8)	1	4
15			NLA - Locknut (M6 x 1)	1	3
16			Screw, Socket Button Head (M6 x 53mm)	1	1
17			Screw, Socket Head (M6 x 50)	1	2
1	A	1487439	T-Arm Assembly, Central w/ Hardware, Full Length, Heavy Duty - Left	1	1
2			Pad, Arm, Full Length	1	1
3			Arm Pad Mounting Assembly - Left	1	1
4			Tube, Mounting, Adjustable	1	1
5			NLA - Support, Armrest	1	1
6			Guard, Clothing	1	1
7			Support, T Arm, Heavy Duty	1	1
8			Bracket, Clothing Guard	1	2
9			Spacer, Nylon	1	1

Arms - T Style Adjustable - Myon Active HD (REDL, REFL) (20" - 24" W Heavy Duty Chairs)

Item Number	Note	Part Number	Description	Quantity Per	
				Package	Assembly
10			Nut, Square, Armrest	1	1
11			Screw, Countersunk (M4.8)	1	2
12			Bushing, Armrest	1	1
13			Screw, Socket Head (M12 x 12.5)	1	1
14			Screw (M4.2 - 16 8.8)	1	4
15			NLA - Locknut (M6 x 1)	1	3
16			Screw, Socket Button Head (M6 x 53mm)	1	1
17			Screw, Socket Head (M6 x 50)	1	2
1	A	1487440	T-Arm Assembly, Central w/ Hardware, Full Length, Heavy Duty - Right	1	1
2			Pad, Arm, Full Length	1	1
3			Arm Pad Mounting Assembly - Right	1	1
4			Tube, Mounting, Adjustable	1	1
5			NLA - Support, Armrest	1	1
6			Guard, Clothing	1	1
7			Support, T Arm, Heavy Duty	1	1
8			Bracket, Clothing Guard	1	2
9			Spacer, Nylon	1	1
10			Nut, Square, Armrest	1	1
11			Screw, Countersunk (M4.8)	1	2
12			Bushing, Armrest	1	1
13			Screw, Socket Head (M12 x 12.5)	1	1
14			Screw (M4.2 - 16 8.8)	1	4
15			NLA - Locknut (M6 x 1)	1	3
16			Screw, Socket Button Head (M6 x 53mm)	1	1
17			Screw, Socket Head (M6 x 50)	1	2

NOTE: A - Includes items 2 - 17.