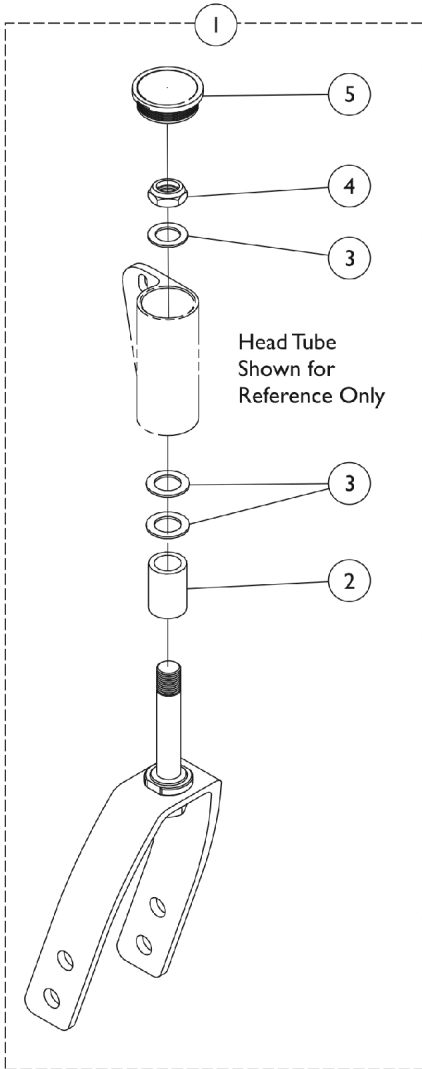
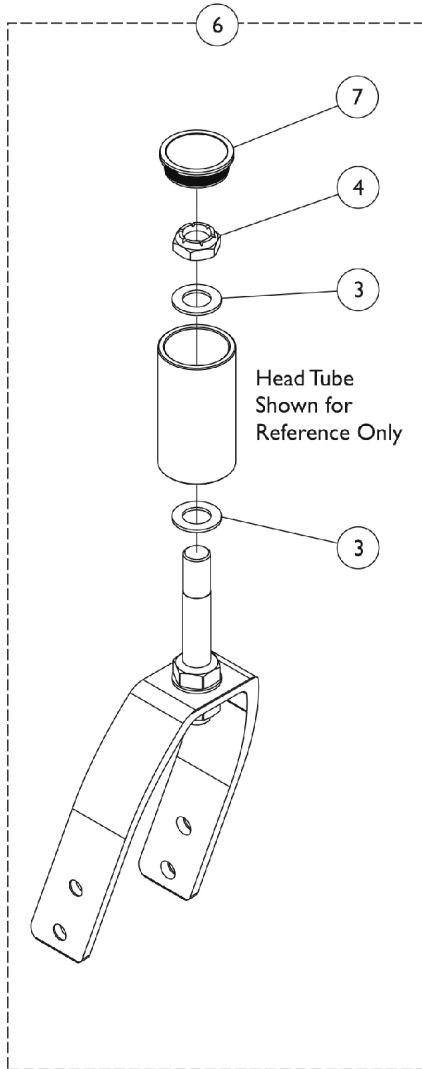


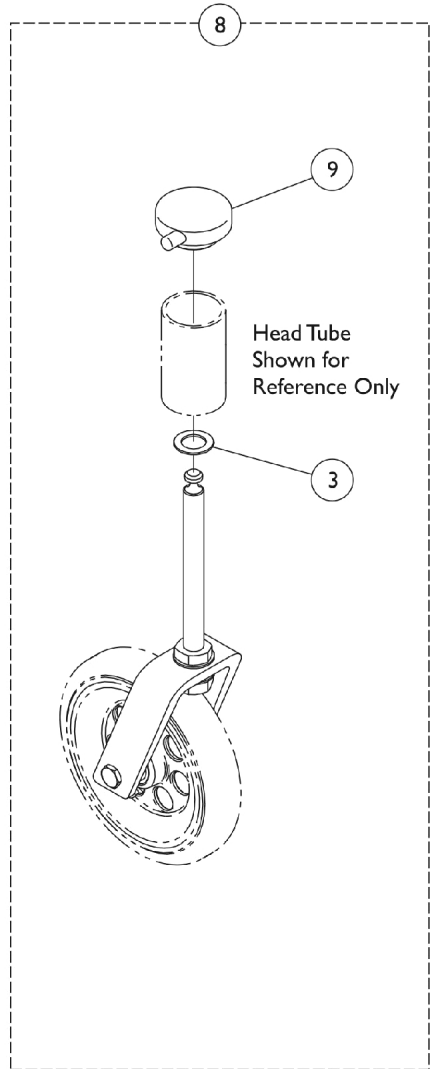
Forks and Hardware (After 6/29/11)



Fork Assembly (Caster Option)
A1103 (AT900)
A1105 (5ALUM, 51DC, 515DC)
A1106 (61DC, 615DC, 1259)



Fork Assembly Option
A1108 (81DC, 815DC)



Quick Release
Caster Fork

Forks and Hardware (After 6/29/11)

Item Number	Note	Part Number	Description	Quantity Per	
				Package	Assembly
1	A	See Chart	#1 Fork and Stem Assembly w/ Hardware (3, 5, and 6" Caster)	1	1
6	B	See Chart	#6 Fork and Stem Assembly w/ Hardware (8" Caster)	1	1
5		1038353	Plug Button, Headtube, Black	1	1
8	C	1066397-NLA	NLA - Kit, Quick Release Caster Fork -6" Fork for 3-7/16" Offset Caster Headtube	1	1
9		1042044-NLA	NLA - Cap, Head Tube, Quick Release Caster, Black	1	1

NOTE: A - Includes Fork and Stem plus items 2 - 4.
 B - Includes Fork and Stem plus Head Tube mounting hardware items 3 and 4.
 C - Available on 6" casters only. Includes Fork and Stem plus items 3 and 9.

#1 Fork and Stem Assembly w/ Hardware (3, 5, and 6" Caster)

Caster Option	Fork Style	Spacer Size	Seat to Floor Dimension	Part Number (Pair)
AT900	A1103 (3", 1 Hole)	ASP00	15-1/4", 16-1/2"	1065623
AT900	A1103 (3", 1 Hole)	ASP01	16", 17-1/4"	1065624
AT900	A1103 (3", 1 Hole)	ASP02	17-1/4", 18-1/2"	1065625
AT900	A1105 (5", 3 Hole)	ASP00	17-1/2", 18-3/4"	1065626
AT900	A1105 (5", 3 Hole)	ASP01	18-1/2", 19-3/4"	1065627
AT900	A1106 (6", 3 Hole)	ASP00	17-1/4", 18-1/2"	1065628
51DC	A1103 (3", 1 Hole)	ASP00	16, 17-1/4"	1065623
51DC	A1103 (3", 1 Hole)	ASP01	16-3/4, 18" 18-1/2, 19-3/4"	1065624
51DC	A1103 (3", 1 Hole)	ASP02	18, 19-1/4"	1065625
51DC	A1105 (5", 3 Hole)	ASP00	17-1/2", 18-3/4"	1065626
51DC	A1105 (5", 3 Hole)	ASP01	18-1/2", 19-1/4"	1065627
51DC	A1106 (6", 3 Hole)	ASP00	16-1/2", 17-1/4" 17-3/4", 18" 18-1/2", 19-1/4"	1065628
1259 61DC 615DC	A1108 (8", 2 Hole) A1108 (8", 2 Hole) A1108 (8", 2 Hole)	ASP00	18, 19, 19-1/4, 20-1/4" 18-3/4, 19-3/4, 20, 21" 19, 20, 20-1/4, 21-1/4"	1065629

Forks and Hardware (After 6/29/11)

#6 Fork and Stem Assembly w/ Hardware (8" Caster)

Caster Option	Fork Style	Spacer Size	Seat to Floor Dimension	Part Number
81DC	A1108 (8", 2 Hole)	ASP00	18-3/4", 19-3/4" 20", 21"	1174527-NLA
815DC	A1108 (8", 2 Hole)	ASP00	19", 20" 20-1/4", 21-1/4"	1174527-NLA