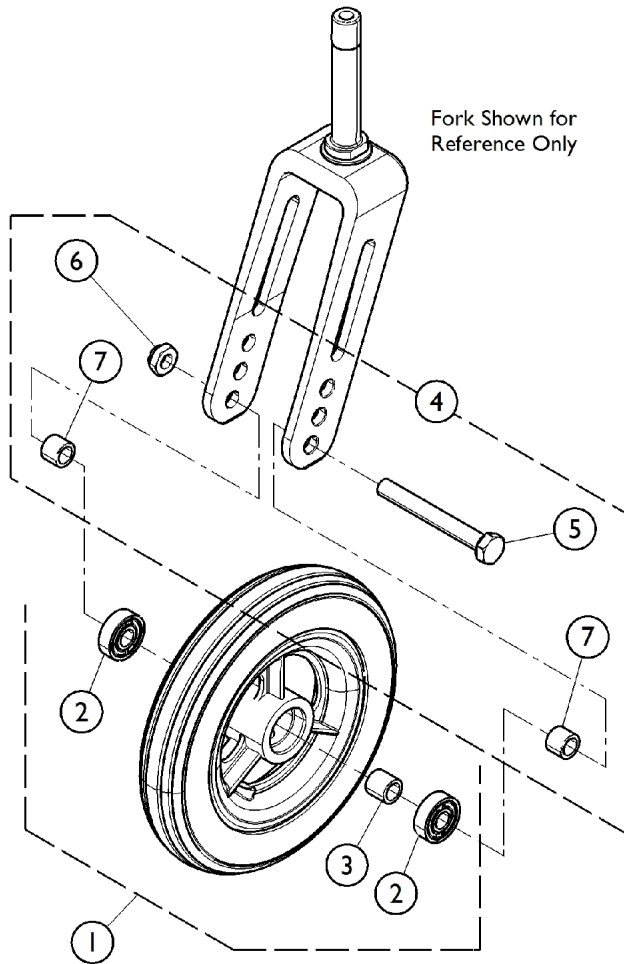
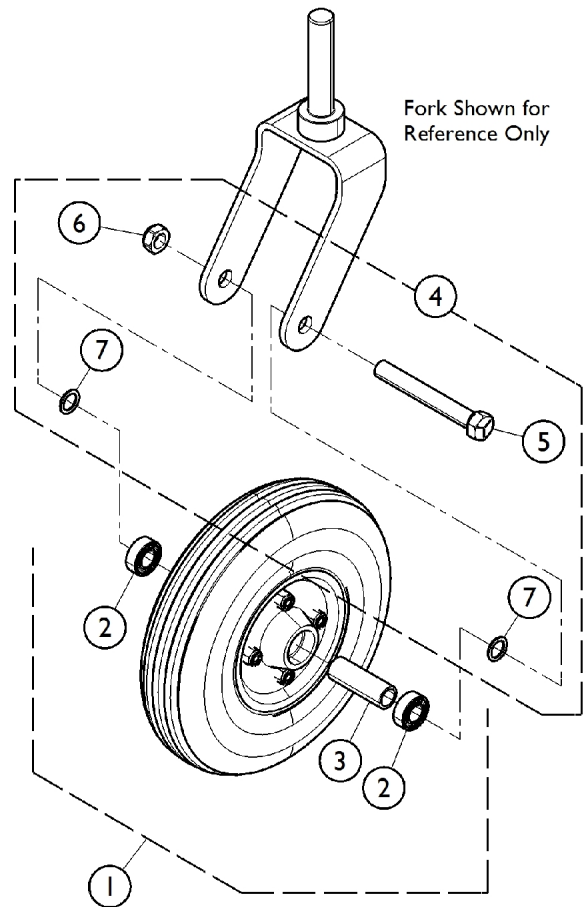


Casters and Mounting Hardware (Before 7/1/11)



**Caster and Hardware for
4SPLT, 5ALUM2, 5SOFT, AT902 Options**



**Caster and Hardware for
1259, AT903, 1228 Options**

Casters and Mounting Hardware (Before 7/1/11)

Casters (Before 7/1/11)

Caster Option	Wheel Size	Tire Type	Item 1 Caster Wheel Assembly	Item 2 Bearing	Item 3. Bearing Spacer	Tire
4SPLT	4"	Urethane	1060910 See Note(s) B	40117X026	1026172	N/A
5ALUM	5"	Urethane	1026952 See Note(s) B	40117X026	1026172	N/A
5SOFT See Note(s) A	5"	Urethane	1164311 See Note(s) B	N/A	N/A	N/A
AT902 (Pair)	6 x 1"	Urethane	1034352 See Note(s) B	N/A	N/A	N/A
AT902 (Single)	6 x 1"	Urethane	1029500 See Note(s) B	N/A	N/A	N/A
1259	6 x 2"	Semi Pneumatic Urethane	1115179 See Note(s) B	1006049	1020592	N/A
AT903	8 x 1-1/4"	Urethane	1038161 See Note(s) B	1006049	1020592	1038157
1228	8 x 1-3/4"	Semi Pneumatic	1070811 See Note(s) B	1006049	1020592	N/A

NOTE: A - After 10/4/09, the 5SOFT (5") Semi-Pneumatic is no longer available and is replaced as a 5SOFT (5") Urethane. Order caster in pairs for wheelchairs manufactured before 10/5/09.
B - Includes items 2 and 3 when ordering a complete front caster.

Item #4. Caster Hardware (Before 7/1/11)

Caster Option	Wheel Size	Tire Type	Item 5 Axle	Item 6 Locknut	Item 7 Axle Spacer
4SPLT 5SOFT 5ALUM	4", 5"	Urethane	1026908	1025730	1026160
AT902	6 x 1"	Urethane	1026908	1025730	1026160
1259	6 x 2"	Semi Pneumatic	1025726	1025734	1025724
AT903	8 x 1-1/4"	Urethane	1025726	1025734	1025724
1228	8 x 1-3/4"	Semi Pneumatic	57667P007	20225X000	N/A