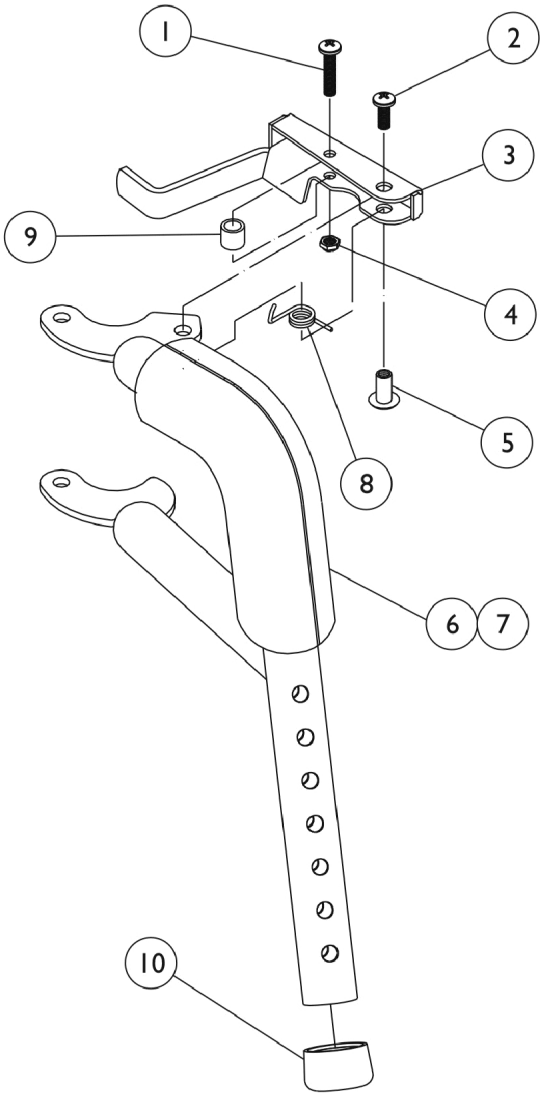
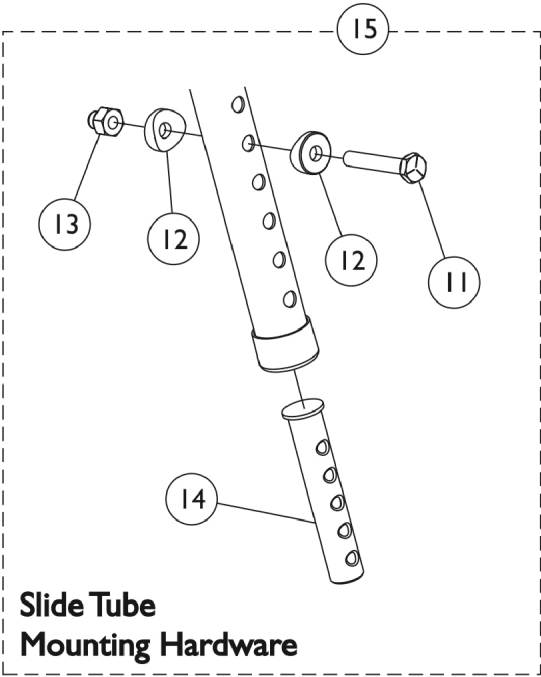


# PW93ST Footrest Supports (Pin Style) Color



## PW93ST Footrest Supports (Pin Style) Color

Item Number	Note	Part Number	Description	Quantity Per	
				Package	Assembly
1		1025716	Screw, Phillips Pan Head (#10-32 x 11/16")	1	1
2		1026114	Screw, Phillips Pan Head (#10-32 x 1/2")	1	1
3		1035539	Handle, Release, Black - Right	1	1
3		1035540	Handle, Release, Black - Left	1	1
	A,B	1026107	Screw, Phillips Pan Head (#10-32 x 1-3/8")	1	1
	A,B	1006490	Tip, Plastic, Black	1	1
	A,B	1028485-NLA	NLA - Nut, Hex (#10-32)	1	1
4		1025735	Locknut (#10-32)	1	1
5		1028846-NLA	NLA - Rivnut (#10-32)	1	1
6		1030434-NLA	NLA - Cushion, Tubular Foam	1	1
7		1030435-NLA	NLA - Cover, Foam Cushion	1	1
8		1028707	Spring, Release - Right	1	1
8		1028708	Spring, Release - Left	1	1
9		47565X057	Bushing (7/32 x 3/8 x 11/32")	1	1
10		15680X012	Collar, Anti-Rattle (7/8")	1	1
11		1070759	Screw, Hex Head (1/4-20 x 1-1/2")	1	1
12		1026099	Spacer, Coved (1/4 x 11/16 x 1/2")	1	2
13		1044214	Nut, Hex with Nylon Cap (1/4-20)	1	1
14	D	1020534	Insert, Threaded	1	1
15		1074143	Kit, Slide Tube Mounting Hardware	1	1
	C,A	8881070784-NL A	NLA - Footrest Support Assembly, Adult, Color - Right	1	1
	C,A	8881070785-NL A	NLA - Footrest Support Assembly, Adult, Color - Left	1	1

NOTE: A - Not Shown  
B - These items are only on Release Handles for chairs built Before 10/1/00.  
C - Specify color when ordering  
D - As of 8/15/03, the Threaded Insert was revised from 3 to 5 Holes. Threaded Insert is Backward Compatible and does not require ordering in Pairs.