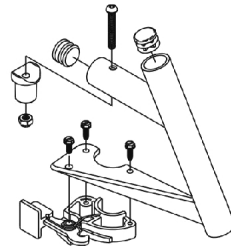
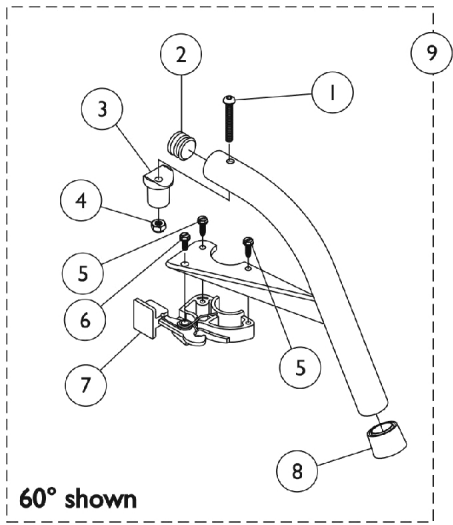
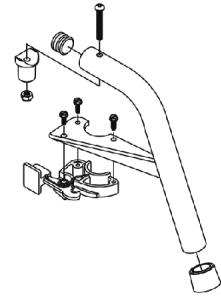


# Footrest Support Assemblies

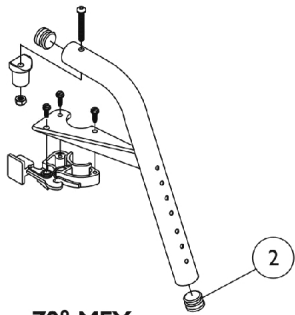
## Swingaway 60 Degree, 70 Degree, and 90 Degree



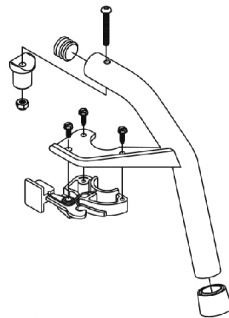
60° MFX



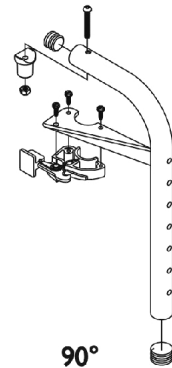
70° Non-Tapered



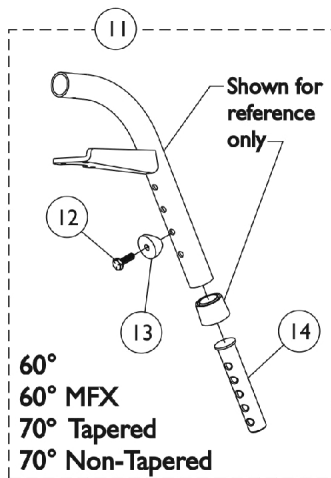
70° MFX



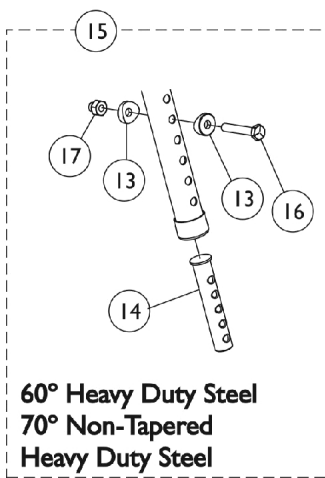
70° Tapered



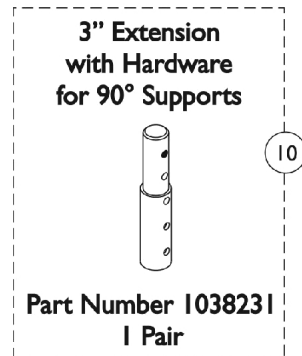
90°



60°  
60° MFX  
70° Tapered  
70° Non-Tapered



60° Heavy Duty Steel  
70° Non-Tapered  
Heavy Duty Steel



Slide Tube Mounting Hardware

## Footrest Support Assemblies

### Swingaway 60 Degree, 70 Degree, and 90 Degree

Item Number	Note	Part Number	Description	Quantity Per	
				Package	Assembly
1		1001762	Screw, Socket Button Head (1/4-20 x 1-3/4")	1	1
2		1029501	Plug Button, Black (1")	1	1
2		1056328	Plug Button, Black (1")	1	1
3		1017148	Pivot, Footrest	1	1
4		1025736	Locknut (1/4-20)	1	1
5		1025451	Screw, Slotted Hex Washer Head (#10-32 x 5/8")	1	2
6		1017423	Screw, Slotted Hex Washer Head w/ Patch (#10-32 x 1/2")	1	1
7		1025454	Housing, Latch - Right	1	1
7		1025455	Housing, Latch - Left	1	1
8		1026124	Collar, Anti-Rattle	1	1
9	A,D	8881026992	Footrest Support Assembly, 60 Degree, Sector, Color - Right	1	1
9	A,D	8881026993	Footrest Support Assembly, 60 Degree, Sector, Color - Left	1	1
9	A,D	8881026998	Footrest Support Assembly, 60 Degree MFX, Sector, Color - Right	1	1
9	A,D	8881026999	Footrest Support Assembly, 60 Degree MFX, Sector, Color - Left	1	1
9	A,C,E	8881053158	Footrest Support Assembly, 60 Degree Heavy Duty, Sector, Color - Right	1	1
9	A,C,E	8881053157	Footrest Support Assembly, 60 Degree Heavy Duty, Sector, Color - Left	1	1
9	A,D	8881026994	Footrest Support Assembly, 70 Degree Non-Tapered, Sector, Color - Right	1	1
9	A,D	8881026995	Footrest Support Assembly, 70 Degree Non-Tapered, Sector, Color - Left	1	1
9	A,D	8881026996	Footrest Support Assembly, 70 Degree Tapered, Sector, Color - Right	1	1
9	A,D	8881026997	Footrest Support Assembly, 70 Degree, Tapered, Sector, Color - Left	1	1
9	A,D	8881047481	Footrest Support Assembly, 70 Degree MFX, Sector, Color - Right	1	1
9	A,D	8881047480	Footrest Support Assembly, 70 Degree MFX, Sector, Color - Left	1	1
9	A,C,E	8881053149	Footrest Support Assembly, 70 Degree Non-Tapered Heavy Duty, Sector, Color - Right	1	1
9	A,C,E	8881053148	Footrest Support Assembly, 70 Degree Non-Tapered Heavy Duty, Sector, Color - Left	1	1
9	A,D	8881062596	Footrest Support Assembly, 90 Degree, Sector, Color - Right	1	1
9	A,D	8881062597	Footrest Support Assembly, 90 Degree, Sector, Color - Left	1	1
10	A	8881038231	Kit, 3" Extension w/ Hardware (Pair)	2	1
11		1026703	Kit, Pivot/Slide Tube Mounting Hardware (Pair)	2	1
12		1045267	Screw, Hex Head w/ Patch (1/4-20 x 3/4")	1	1
13	B	1026099	Spacer, Coved (1/4 x 11/16 x 1/2")	1	1
14	F	1020534	Insert, Threaded	1	1

## Footrest Support Assemblies

### Swingaway 60 Degree, 70 Degree, and 90 Degree

Item Number	Note	Part Number	Description	Quantity Per	
				Package	Assembly
15		1074143	Kit, Slide Tube Mounting Hardware	1	1
16		1070759	Screw, Hex Head (1/4-20 x 1-1/2")	1	1
17		1044214	Nut, Hex with Nylon Cap (1/4-20)	1	1
NOTE: A - Specify frame color when ordering. B - Item 15 requires 2 for each Assembly C - Uses Item Number 2, Plug Button 1029501 D - Uses Item Number 2, PLug Button 1056328 E - Not Shown F - As of 8/15/03, the Threaded Insert was revised from 3 to 5 Holes. Threaded Insert is Backward Compatible and does not require ordering in Pairs.					