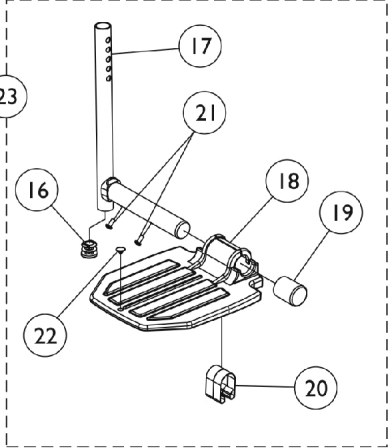
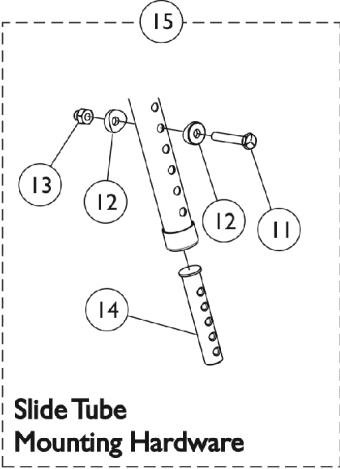
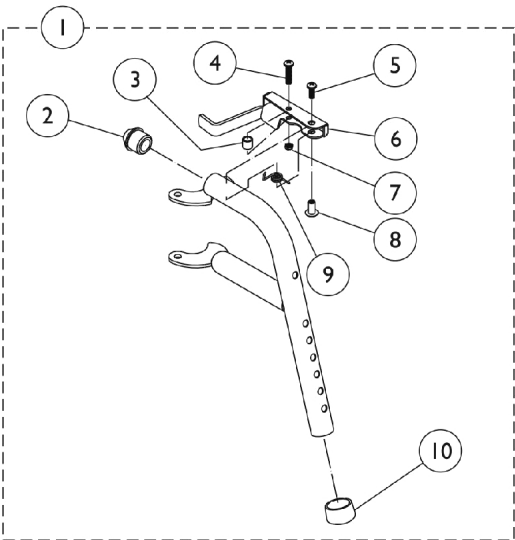


# PW93 Footrest and Hardware



## PW93 Footrest and Hardware

Item Number	Note	Part Number	Description	Quantity Per	
				Package	Assembly
1	A	8881070776	Footrest Support Assembly, Adult, Color - Right	1	1
1	A	8881070777	Footrest Support Assembly, Adult, Color - Left	1	1
2		1020719	Anti-Rattle, Black	1	1
3		47565X057	Bushing (7/32 x 3/8 x 11/32")	1	1
4		1025716	Screw, Phillips Pan Head (#10-32 x 11/16")	1	1
5		1026114	Screw, Phillips Pan Head (#10-32 x 1/2")	1	1
6		1035539	Handle, Release, Black - Right	1	1
6		1035540	Handle, Release, Black - Left	1	1
7		1025735	Locknut (#10-32)	1	1
8		1028846-NLA	NLA - Rivnut (#10-32)	1	1
9		1028707	Spring, Release - Right	1	1
9		1028708	Spring, Release - Left	1	1
10		15680X012	Collar, Anti-Rattle (7/8")	1	1
11		1070759	Screw, Hex Head (1/4-20 x 1-1/2")	1	1
12		1026099	Spacer, Coved (1/4 x 11/16 x 1/2")	1	2
13		1044214	Nut, Hex with Nylon Cap (1/4-20)	1	1
14	B	1020534	Insert, Threaded	1	1
15		1074143	Kit, Slide Tube Mounting Hardware	1	1
16		1027097	Plug Button, Black (3/4")	1	1
17		1048834	Pivot/Slide Tube w/ Plug Button, Black	1	1
17		1098906	Pivot/Slide Tube w/ Plug Button, Black (2" Longer)	1	1
17		1086482	Pivot/Slide Tube w/ Plug Button, Black (4" Longer)	1	1
18		44200X027	Footplate, Aluminum, Medium, Black (7-3/4" W x 6" L)	1	1
19		1016346	Cap, End, Tube, Black (7/8")	1	1
20		1006981	Spring, Tension	1	2
21		40120X001	Screw, Phillips Pan Head (#8-32 x 3/8")	1	2
22		1070168	Plug, Push, Footplate	1	1
23		See Chart	#23 Pivot/Slide Tube with Footplate	1	1

NOTE: A - Specify frame color from Frame Finishes, Touch-Up Paints and Upholstery Color Page  
 B - As of 8/15/03, the Threaded Insert was revised from 3 to 5 Holes. Threaded Insert is Backward Compatible and does not require ordering in Pairs.

### #23 Pivot/Slide Tube with Footplate

Side	Standard	2" Longer	4" Longer
Right	1074149	1086494-NLA	1086495-NLA
Left	1074150	1086497-NLA	1086498-NLA