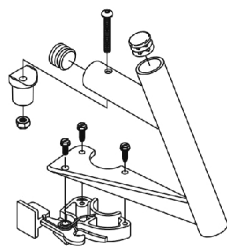
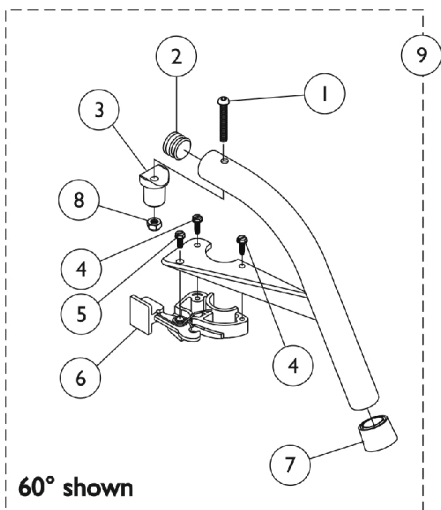
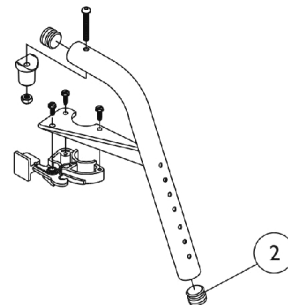


# Footrest Support Assemblies

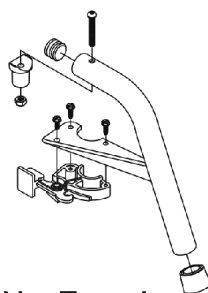
## Swingaway 60 Degree, 70 Degree, and 90 Degree



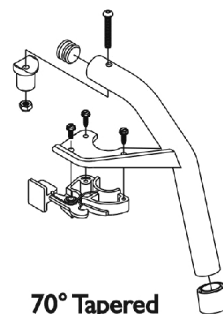
60° MFX



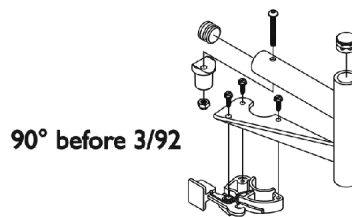
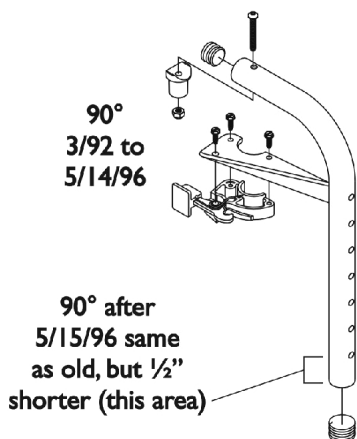
70° MFX



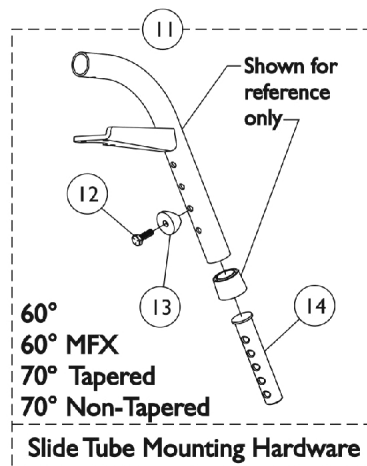
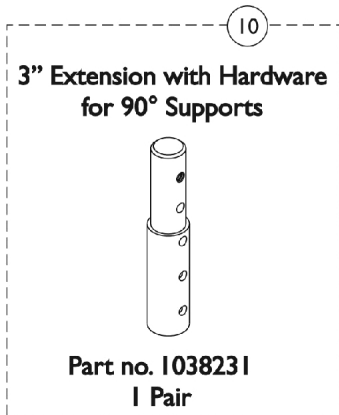
70° Non-Tapered



70° Tapered



90° before 3/92



## Footrest Support Assemblies

### Swingaway 60 Degree, 70 Degree, and 90 Degree

Item Number	Note	Part Number	Description	Quantity Per	
				Package	Assembly
1		1001762	Screw, Socket Button Head (1/4-20 x 1-3/4")	1	1
2	C	1056328	Plug Button, Black (1")	1	1
3		1017148	Pivot, Footrest	1	1
4		1025451	Screw, Slotted Hex Washer Head (#10-32 x 5/8")	1	2
5		1017423	Screw, Slotted Hex Washer Head w/ Patch (#10-32 x 1/2")	1	1
6		1025454	Housing, Latch - Right	1	1
6		1025455	Housing, Latch - Left	1	1
7		1026124	Collar, Anti-Rattle	1	1
8		1025736	Locknut (1/4-20)	1	1
9	A	8881026992	Footrest Support Assembly, 60 Degree, Sector, Color - Right	1	1
9	A	8881026993	Footrest Support Assembly, 60 Degree, Sector, Color - Left	1	1
9	A	8881026998	Footrest Support Assembly, 60 Degree MFX, Sector, Color - Right	1	1
9	A	8881026999	Footrest Support Assembly, 60 Degree MFX, Sector, Color - Left	1	1
9	A	8881047481	Footrest Support Assembly, 70 Degree MFX, Sector, Color - Right	1	1
9	A	8881047480	Footrest Support Assembly, 70 Degree MFX, Sector, Color - Left	1	1
9	A	8881026994	Footrest Support Assembly, 70 Degree Non-Tapered, Sector, Color - Right	1	1
9	A	8881026995	Footrest Support Assembly, 70 Degree Non-Tapered, Sector, Color - Left	1	1
9	A	8881026996	Footrest Support Assembly, 70 Degree Tapered, Sector, Color - Right	1	1
9	A	8881026997	Footrest Support Assembly, 70 Degree, Tapered, Sector, Color - Left	1	1
9	A	8881062596	Footrest Support Assembly, 90 Degree, Sector, Color - Right	1	1
9	A	8881062597	Footrest Support Assembly, 90 Degree, Sector, Color - Left	1	1
10	A	8881038231	Kit, 3" Extension w/ Hardware (Pair)	1	1
11		1026703	Kit, Pivot/Slide Tube Mounting Hardware (Pair)	1	1
12		1045267	Screw, Hex Head w/ Patch (1/4-20 x 3/4")	1	1
13		1026099	Spacer, Coved (1/4 x 11/16 x 1/2")	1	1
14	D	1020534	Insert, Threaded	1	1
	B	1026987	Guard, Impact (8" L)	1	1

NOTE: A - Specify frame finish when ordering.  
 B - Not Shown. For 70 deg. Tapered Footrest.  
 C - MFX Style Footrests take 2 per Assembly  
 D - As of 8/15/03, the Threaded Insert was revised from 3 to 5 Holes. Threaded Insert is Backward Compatible and does not require ordering in Pairs.

Footrest Supports for chairs built Before 4/91 must be replaced with a pair. Also, new sectors must be ordered (105457-Right and 1054572-Left) for all model chairs built Before 4/4/95.