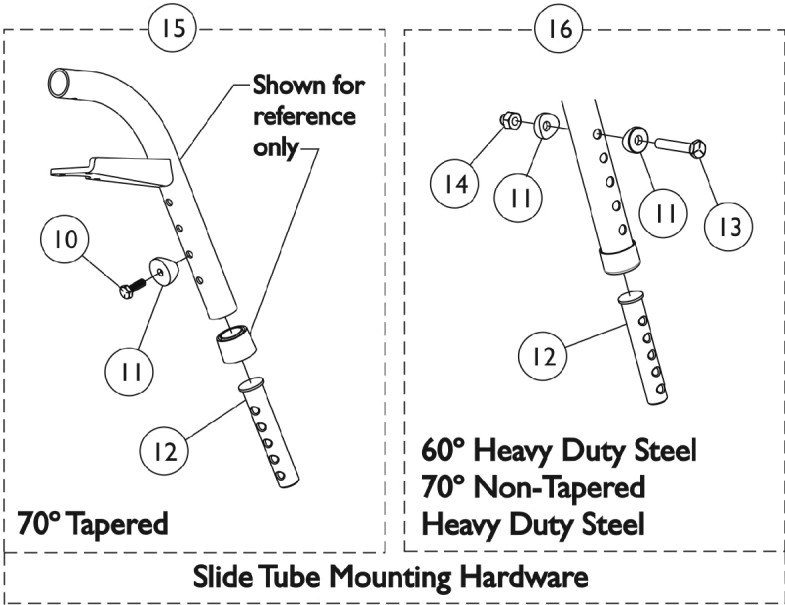
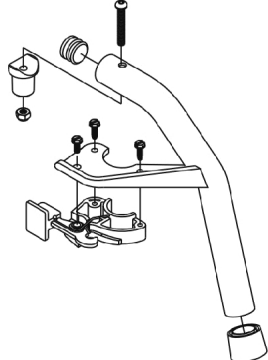
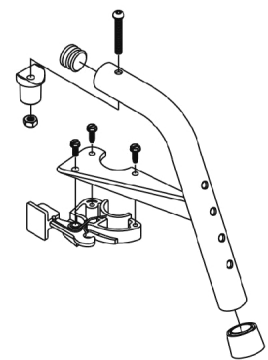
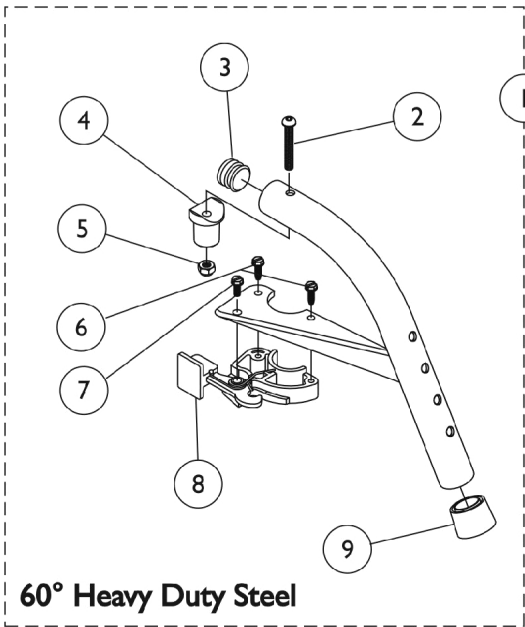


Footrest Support Assemblies

Sector Style



Footrest Support Assemblies Sector Style

| Item Number | Note | Part Number | Description | Quantity Per | |
|-------------|-------|-------------|--|--------------|----------|
| | | | | Package | Assembly |
| 1 | A,C,G | 8881053158 | Footrest Support Assembly, 60 Degree Heavy Duty, Sector, Color - Right | 1 | 1 |
| 1 | A,C,G | 8881053157 | Footrest Support Assembly, 60 Degree Heavy Duty, Sector, Color - Left | 1 | 1 |
| 1 | A,D,G | 8881053149 | Footrest Support Assembly, 70 Degree Non-Tapered Heavy Duty, Sector, Color - Right | 1 | 1 |
| 1 | A,D,G | 8881053148 | Footrest Support Assembly, 70 Degree Non-Tapered Heavy Duty, Sector, Color - Left | 1 | 1 |
| 1 | A,E,H | 8881026996 | Footrest Support Assembly, 70 Degree Tapered, Sector, Color - Right | 1 | 1 |
| 1 | A,E,H | 8881026997 | Footrest Support Assembly, 70 Degree, Tapered, Sector, Color - Left | 1 | 1 |
| 2 | | 1001762 | Screw, Socket Button Head (1/4-20 x 1-3/4") | 1 | 1 |
| 3 | J | 1029501 | Plug Button, Black (1") | 1 | 1 |
| 3 | J | 1056328 | Plug Button, Black (1") | 1 | 1 |
| 4 | | 1017148 | Pivot, Footrest | 1 | 1 |
| 5 | | 1025736 | Locknut (1/4-20) | 1 | 1 |
| 6 | | 1025451 | Screw, Slotted Hex Washer Head (#10-32 x 5/8") | 1 | 2 |
| 7 | | 1017423 | Screw, Slotted Hex Washer Head w/ Patch (#10-32 x 1/2") | 1 | 1 |
| 8 | | 1025454 | Housing, Latch - Right | 1 | 1 |
| 8 | | 1025455 | Housing, Latch - Left | 1 | 1 |
| 9 | | 1026124 | Collar, Anti-Rattle | 1 | 1 |
| 10 | | 1045267 | Screw, Hex Head w/ Patch (1/4-20 x 3/4") | 1 | 1 |
| 11 | B | 1026099 | Spacer, Coved (1/4 x 11/16 x 1/2") | 1 | 1 |
| 12 | I | 1020534 | Insert, Threaded | 1 | 1 |
| 13 | | 1070759 | Screw, Hex Head (1/4-20 x 1-1/2") | 1 | 1 |
| 14 | | 1044214 | Nut, Hex with Nylon Cap (1/4-20) | 1 | 1 |
| 15 | | 1026703-NLA | NLA - Kit, Pivot/Slide Tube Mounting Hardware (Pair) | 1 | 1 |
| 16 | | 1057846 | Kit, Pivot/Slide Tube Mounting Hardware (Pair) | 1 | 1 |
| | F | 1026987 | Guard, Impact (8" L) | 1 | 1 |

NOTE: A - Specify frame color when ordering. See page titled "Frame Finishes and Touch-Up Paints."
 B - Item 16 takes 2 per assembly
 C - Offered on 3G Storm Series models only
 D - Offered on 3G Storm Series and TDX SP/SR models
 E - Offered on 3G Storm Series and TDX SP/SR models
 F - Not Shown. For 70 deg. Tapered Footrest.
 G - Uses Item Number 3, PLug Button 1029501
 H - Uses Item Number 3, PLug Button 1056328
 I - As of 8/15/03, the Threaded Insert was revised from 3 to 5 Holes. Threaded Insert is Backward Compatible and does not require ordering in Pairs.
 J - See item #1 footnote G or H for Front Rigging Plug Button usage.