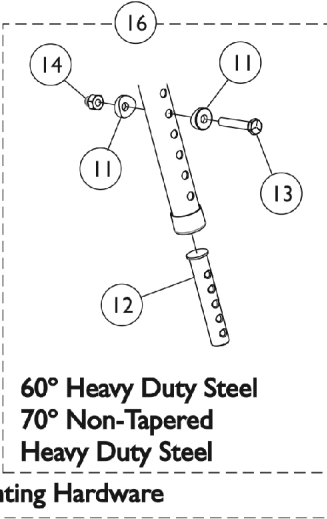
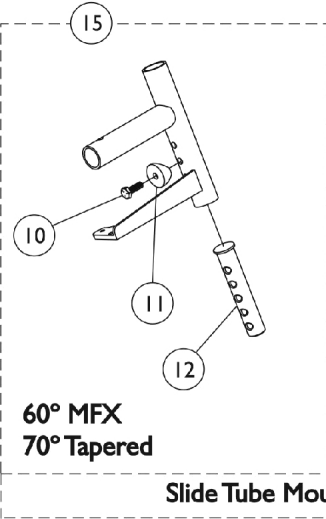
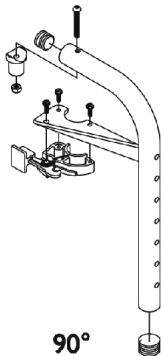
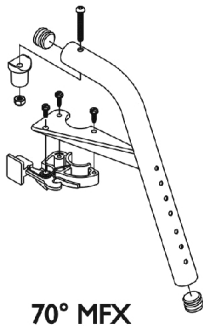
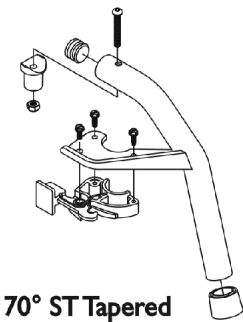
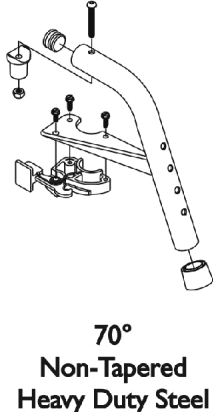
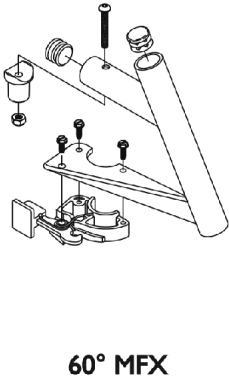
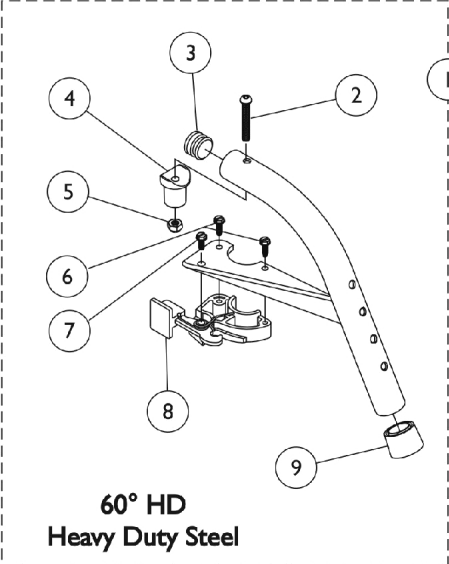
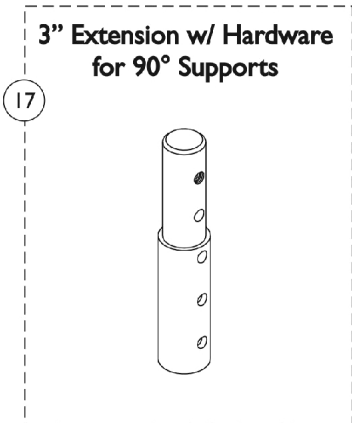


Footrest Support Assemblies

Sector Style



Slide Tube Mounting Hardware



Footrest Support Assemblies Sector Style

Item Number	Note	Part Number	Description	Quantity Per	
				Package	Assembly
1	A,C	8881053158	Footrest Support Assembly, 60 Degree Heavy Duty, Sector, Color - Right	1	1
1	A,C	8881053157	Footrest Support Assembly, 60 Degree Heavy Duty, Sector, Color - Left	1	1
1	A,D	8881026998	Footrest Support Assembly, 60 Degree MFX, Sector, Color - Right	1	1
1	A,D	8881026999	Footrest Support Assembly, 60 Degree MFX, Sector, Color - Left	1	1
1	A,C	8881053149	Footrest Support Assembly, 70 Degree Non-Tapered Heavy Duty, Sector, Color - Right	1	1
1	A,C	8881053148	Footrest Support Assembly, 70 Degree Non-Tapered Heavy Duty, Sector, Color - Left	1	1
1	A,D	8881026996	Footrest Support Assembly, 70 Degree Tapered, Sector, Color - Right	1	1
1	A,D	8881026997	Footrest Support Assembly, 70 Degree, Tapered, Sector, Color - Left	1	1
1	A,D	8881047481	Footrest Support Assembly, 70 Degree MFX, Sector, Color - Right	1	1
1	A,D	8881047480	Footrest Support Assembly, 70 Degree MFX, Sector, Color - Left	1	1
1	A,D	8881062596	Footrest Support Assembly, 90 Degree, Sector, Color - Right	1	1
1	A,D	8881062597	Footrest Support Assembly, 90 Degree, Sector, Color - Left	1	1
2		1001762	Screw, Socket Button Head (1/4-20 x 1-3/4")	1	1
3	G	1029501	Plug Button, Black (1")	1	1
3	G	1056328	Plug Button, Black (1")	1	1
4		1017148	Pivot, Footrest	1	1
5		1025736	Locknut (1/4-20)	1	1
6		1025451	Screw, Slotted Hex Washer Head (#10-32 x 5/8")	1	2
7		1017423	Screw, Slotted Hex Washer Head w/ Patch (#10-32 x 1/2")	1	1
8		1025454	Housing, Latch - Right	1	1
8		1025455	Housing, Latch - Left	1	1
9		1026124	Collar, Anti-Rattle	1	1
10		1045267	Screw, Hex Head w/ Patch (1/4-20 x 3/4")	1	1
11	B	1026099	Spacer, Coved (1/4 x 11/16 x 1/2")	1	1
12	F	1020534	Insert, Threaded	1	1
13		1070759	Screw, Hex Head (1/4-20 x 1-1/2")	1	1
14		1044214	Nut, Hex with Nylon Cap (1/4-20)	1	1
15		1026703	Kit, Pivot/Slide Tube Mounting Hardware (Pair)	1	1
16		1057846	Kit, Pivot/Slide Tube Mounting Hardware (Pair)	1	1
17	A	8881038231	Kit, 3" Extension w/ Hardware (Pair)	1	1
	E	1026987	Guard, Impact (8" L)	1	1

Footrest Support Assemblies

Sector Style

NOTE: A - Specify frame color when ordering. See page titled "Frame Finishes and Touch-Up Paints."
B - Item 16 takes 2
C - Uses Item Number 3, Plug Button 1029501
D - Uses Item Number 3, Plug Button 1056328
E - Not Shown. For 70 deg. Tapered Footrest.
F - As of 8/15/03, the Threaded Insert was revised from 3 to 5 Holes. Threaded Insert is Backward Compatible and does not require ordering in Pairs.
G - See item #1 footnote C or D for Front Rigging Plug Button usage.