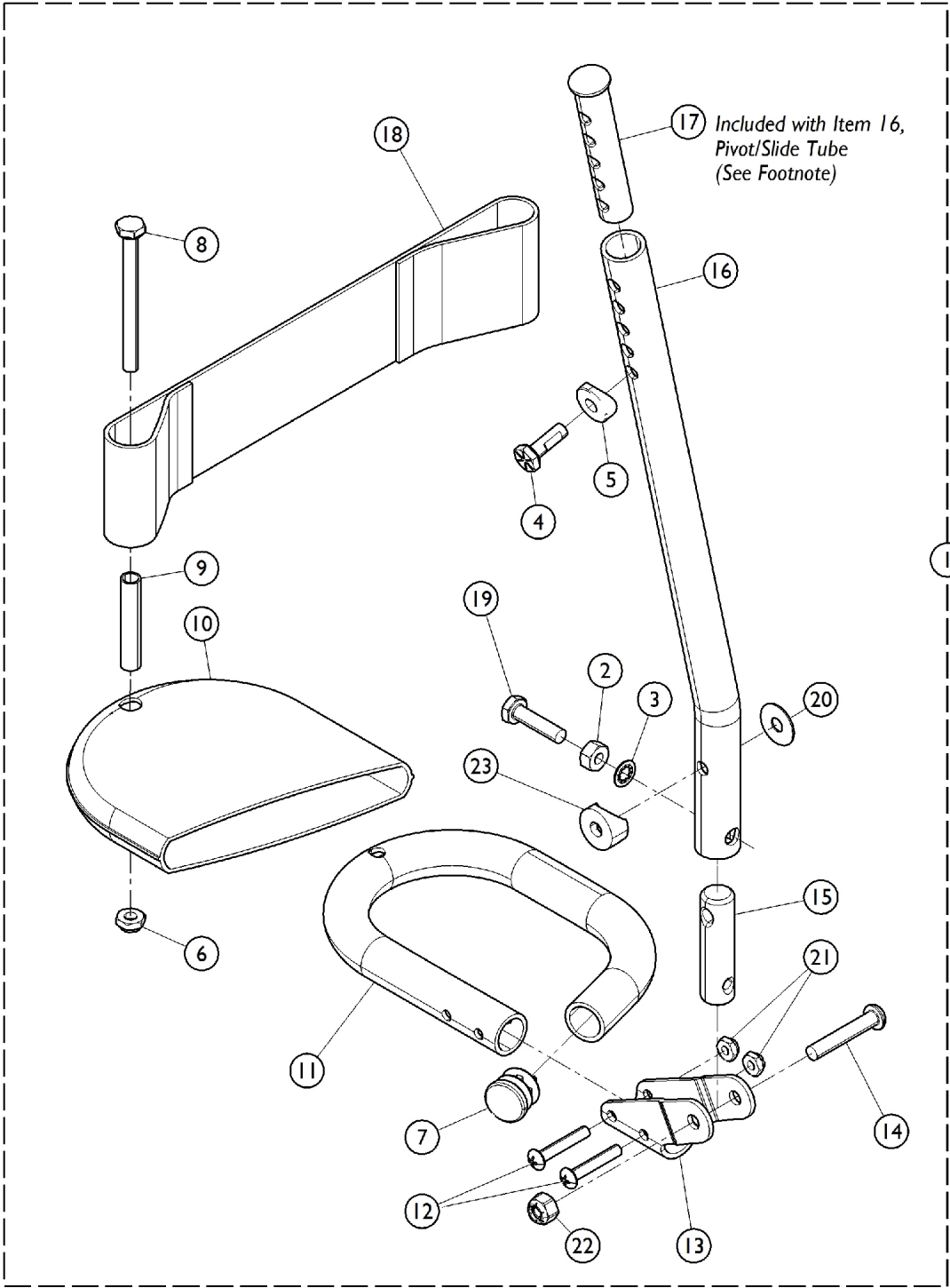


# Pivot Tube w/ Footplate Assembly - Tubular w/ Attaching Hardware and Heel Loops



## Pivot Tube w/ Footplate Assembly - Tubular w/ Attaching Hardware and Heel Loops

Item Number	Note	Part Number	Description	Quantity Per	
				Package	Assembly
1	B,F	1026695-NLA	NLA - Tubular Footplate Assembly, Medium - Right	1	1
1	B,F	1026696-NLA	NLA - Tubular Footplate Assembly, Medium - Left	1	1
1	C,F	1055509-NLA	NLA - Tubular Footplate Assembly, 2" Longer, Medium - Right	1	1
1	C,F	1055510-NLA	NLA - Tubular Footplate Assembly, 2" Longer, Medium - Left	1	1
1	D,F	1026699-NLA	NLA - Tubular Footplate Assembly, Large - Right	1	1
1	D,F	1026700-NLA	NLA - Tubular Footplate Assembly, Large - Left	1	1
1	E,F	1055511-NLA	NLA - Tubular Footplate Assembly, 2" Longer, Large - Right	1	1
1	E,F	1055512-NLA	NLA - Tubular Footplate Assembly, 2" Longer, Large - Left	1	1
2		1025711-NLA	NLA - Nut, Hex (1/4-20)	1	1
3		1026108	Lockwasher (1/4 x 15/32 x 1/64")	1	1
4		1045267	Screw, Hex Head w/ Patch (1/4-20 x 3/4")	1	1
5		1026099	Spacer, Coved (1/4 x 11/16 x 1/2")	1	1
6		1025195	NLA - Locknut (1/4-20)	1	1
7		1027097	Plug Button, Black (3/4")	1	1
8		1025709-NLA	NLA - Screw, Hex Head (1/4-20 x 2-3/4")	1	1
9		1006477-NLA	NLA - Spacer (1/4 x 11/32 x 1-3/4")	1	1
10	G	1008552-NLA	NLA - Cover, Footplate - Medium	1	1
10		1008553-NLA	NLA - Cover, Footplate - Large	1	1
11		1026404-NLA	NLA - Tube, Footrest, Black - Medium	1	1
11		1026405-NLA	NLA - Tube, Footrest, Black - Large	1	1
12		1025714	Screw, Phillips Pan Head (#10-32 x 1-1/8")	1	2
13		1012182-NLA	NLA - Bracket, Pivot, Black	1	1
14		1023968-NLA	NLA - Screw, Socket Button Head (1/4-20 x 1-7/16")	1	1
15	G	1012158-NLA	NLA - Insert, Lower Slide Tube	1	1
16	A	1026406-NLA	NLA - Tube, Pivot/Slide w/ Threaded Insert, Black	1	1
16	A	1020533-NLA	NLA - Tube, Pivot/Slide w/ Threaded Insert, Black (2" Longer)	1	1
18		1017621	Heel Loop - Right/Left	1	1
17	A	1020534	Insert, Threaded	1	1
19		1025713-NLA	NLA - Screw, Hex Head (1/4-20 x 1")	1	1
20		1025456	Washer, Nylon (3/4 x 1/4 x 1/32")	1	1
21		1025735	Locknut (#10-32)	1	2
22		1025736	Locknut (1/4-20)	1	1
23		1025457	Spacer, Coved (1/4 x 3/4 x 11/32")	1	1

NOTE: A - The Slide Tube (Item 16) Includes the Threaded Insert (Item 17), Item 17 can also be ordered separately. As of 8/15/03, the Threaded Insert was revised from 3 to 5 Holes. Threaded Insert is Backward Compatible and does not require ordering in Pairs.  
B - 14-15" Non-Tapered Footrest; 16-22" Tapered Footrests.  
C - 14-15" Non-Tapered Footrest; 16-22" Tapered Footrests.  
D - 16-22" Non-Tapered Footrest.  
E - 16-22" Non-Tapered Footrest; 18-22" Tapered Footrests.  
F - Includes items 1-22.  
G - Part number is no longer available as a service part individually. See item 1 and order a complete Tubular Footplate Assembly as a replacement..