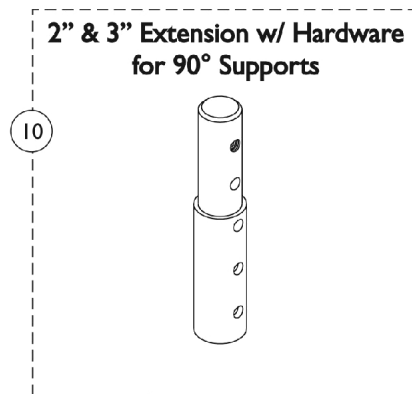
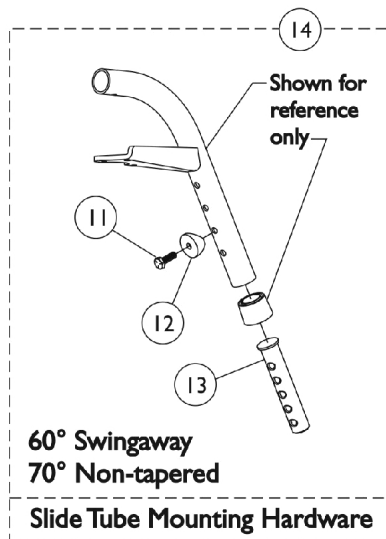
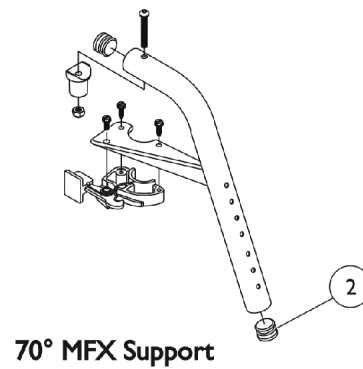
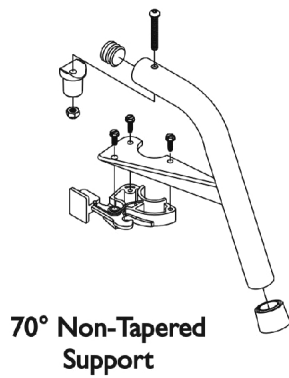
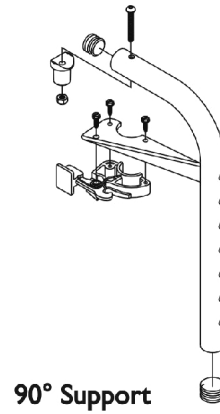
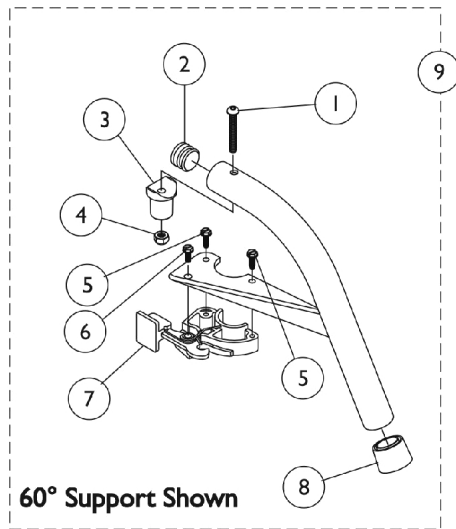


Footrest Support Assemblies

Swingaway 60°, 70°, and 90° (Center Pivot)

Available only on Rear Wheel Drive chairs



Footrest Support Assemblies Swingaway 60°, 70°, and 90° (Center Pivot)

Available only on Rear Wheel Drive chairs

Item Number	Note	Part Number	Description	Quantity Per	
				Package	Assembly
1		1001762	Screw, Socket Button Head (1/4-20 x 1-3/4")	1	1
2		1056328	Plug Button, Black (1")	1	1
3		1017148	Pivot, Footrest	1	1
4		1025736	Locknut (1/4-20)	1	1
5		1025451	Screw, Slotted Hex Washer Head (#10-32 x 5/8")	1	2
6		1017423	Screw, Slotted Hex Washer Head w/ Patch (#10-32 x 1/2")	1	1
7		1025454	Housing, Latch - Right	1	1
7		1025455	Housing, Latch - Left	1	1
8		1026124	Collar, Anti-Rattle	1	1
9	A,B	See Chart	#9 Footrest Support Assemblies (60°, 70°, and 90°)	1	1
10		1118544	Kit, Extension w/ Hardware (2")	1	1
10		8881038231	Kit, 3" Extension w/ Hardware (Pair)	1	1
11		1045267	Screw, Hex Head w/ Patch (1/4-20 x 3/4")	1	1
12		1026099	Spacer, Coved (1/4 x 11/16 x 1/2")	1	1
13	E	1020534	Insert, Threaded	1	1
14	D	1026703	Kit, Pivot/Slide Tube Mounting Hardware (Pair)	1	1
	C	1026987	Guard, Impact (8" L)	1	1

NOTE: A - Specify frame finish when ordering.
 B - Includes footrest support and items 1-8.
 C - Not Shown. For 70 deg. Tapered Footrest.
 D - Includes items 11-13
 E - As of 8/15/03, the Threaded Insert was revised from 3 to 5 Holes. Threaded Insert is Backward Compatible and does not require ordering in Pairs.

#9 Footrest Support Assemblies (60°, 70°, and 90°)

Includes footrest support and items 1-8

Footrest Support Style	60° Swingaway	70° Non Tapered	70° MFX	90° Swingaway
Right	8881026992	8881026994	8881047481	8881062596
Left	8881026993	8881026995	8881047480	8881062597

Specify frame finish when ordering