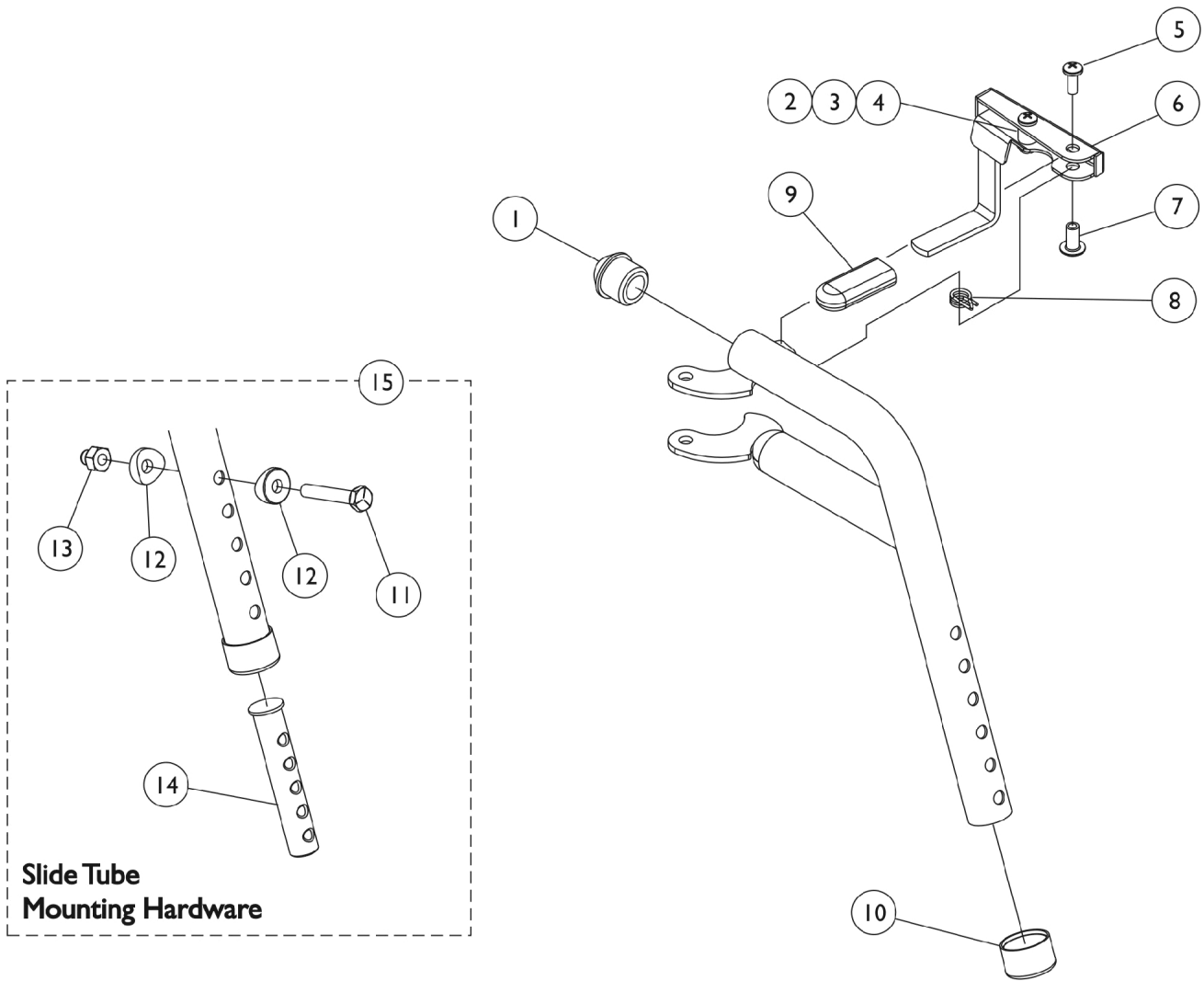


PHW93 (Hemi) Footrest Supports Black



PHW93 (Hemi) Footrest Supports Black

| Item Number | Note | Part Number | Description | Quantity Per | |
|-------------|------|-------------|--|--------------|----------|
| | | | | Package | Assembly |
| 1 | | 1020719 | Anti-Rattle, Black | 1 | 1 |
| 2 | | 1025716 | Screw, Phillips Pan Head (#10-32 x 11/16") | 1 | 1 |
| 3 | | 47565X057 | Bushing (7/32 x 3/8 x 11/32") | 1 | 1 |
| 4 | | 1025735 | Locknut (#10-32) | 1 | 1 |
| 5 | | 1026114 | Screw, Phillips Pan Head (#10-32 x 1/2") | 1 | 1 |
| 6 | A | 1114749-NLA | NLA - Handle, Release, Black - Right | 1 | 1 |
| 6 | A | 1114750-NLA | NLA - Handle, Release, Black - Left | 1 | 1 |
| 7 | | 1028846-NLA | NLA - Rivnut (#10-32) | 1 | 1 |
| 8 | | 1028707 | Spring, Release - Right | 1 | 1 |
| 8 | | 1028708 | Spring, Release - Left | 1 | 1 |
| 9 | | 1006490 | Tip, Plastic, Black | 1 | 1 |
| 10 | | 15680X012 | Collar, Anti-Rattle (7/8") | 1 | 1 |
| 11 | | 1070759 | Screw, Hex Head (1/4-20 x 1-1/2") | 1 | 1 |
| 12 | | 1026099 | Spacer, Coved (1/4 x 11/16 x 1/2") | 1 | 2 |
| 13 | | 1044214 | Nut, Hex with Nylon Cap (1/4-20) | 1 | 1 |
| 14 | C | 1020534 | Insert, Threaded | 1 | 1 |
| 15 | | 1074143 | Kit, Slide Tube Mounting Hardware | 1 | 1 |
| | B | 1114755 | Footrest Support Assembly, Hemi, Black - Right | 1 | 1 |
| | B | 1114756 | Footrest Support Assembly, Hemi, Black - Left | 1 | 1 |

NOTE: A - Includes items 2-4
 B - Not Shown
 C - As of 8/15/03, the Threaded Insert was revised from 3 to 5 Holes. Threaded Insert is Backward Compatible and does not require ordering in Pairs.