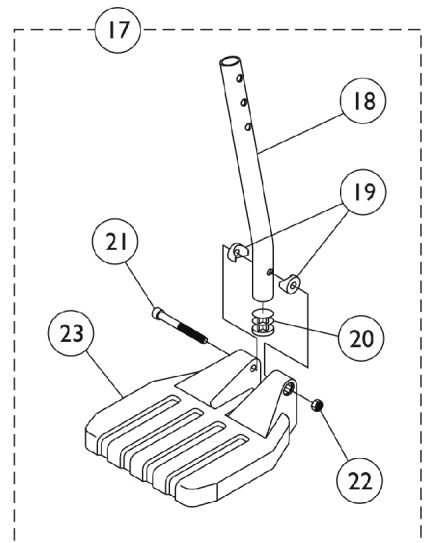
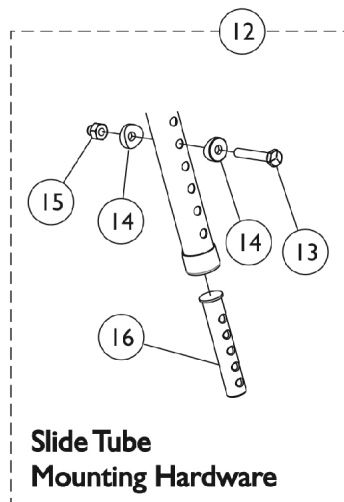
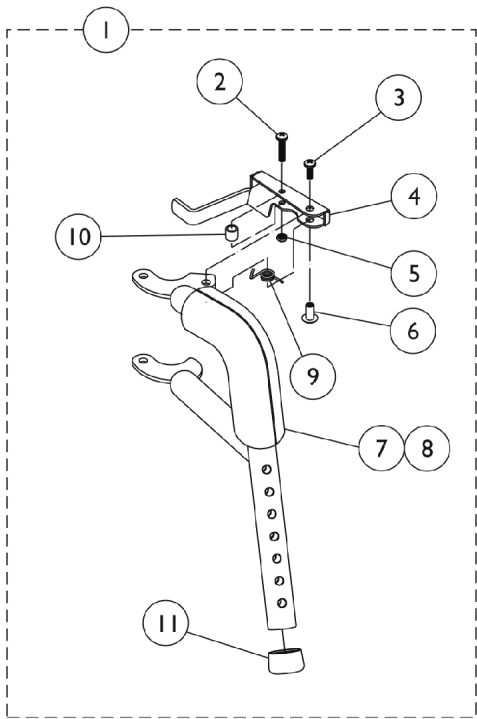


PW93ST Footrest and Hardware

Before 9/1/02

NOTE: Heel Loops are not included. See miscellaneous accessories.
NOTE: Front riggings attachment kit (FRKTM5) must be present when using footrest.



PW93ST Footrest and Hardware

Before 9/1/02

NOTE: Heel Loops are not included. See miscellaneous accessories.

NOTE: Front riggings attachment kit (FRKTM5) must be present when using footrest.

Item Number	Note	Part Number	Description	Quantity Per	
				Package	Assembly
1		1108634-NLA	NLA - Footrest Support Assembly, Adult, Black - Right	1	1
1		1108635-NLA	NLA - Footrest Support Assembly, Adult, Black - Left	1	1
2		1025716	Screw, Phillips Pan Head (#10-32 x 11/16")	1	1
3		1026114	Screw, Phillips Pan Head (#10-32 x 1/2")	1	1
4		1035539	Handle, Release, Black - Right	1	1
4		1035540	Handle, Release, Black - Left	1	1
5		1025735	Locknut (#10-32)	1	1
6		1028846-NLA	NLA - Rivnut (#10-32)	1	1
7		1030434-NLA	NLA - Cushion, Tubular Foam	1	1
8		1030435-NLA	NLA - Cover, Foam Cushion	1	1
9		1028707	Spring, Release - Right	1	1
9		1028708	Spring, Release - Left	1	1
10		47565X057	Bushing (7/32 x 3/8 x 11/32")	1	1
11		15680X012	Collar, Anti-Rattle (7/8")	1	1
12		1074143	Kit, Slide Tube Mounting Hardware	1	1
13		1070759	Screw, Hex Head (1/4-20 x 1-1/2")	1	1
14		1026099	Spacer, Coved (1/4 x 11/16 x 1/2")	1	2
15		1044214	Nut, Hex with Nylon Cap (1/4-20)	1	1
16	C	1020534	Insert, Threaded	1	1
17	A	1057869	Pivot/Slide Tube Assembly w/ Medium Composite Footplate, Black - Right (18" W)	1	1
17	A	1057870	Pivot/Slide Tube w/ Medium Composite Footplate Assembly, Black - Left (18" W)	1	1
17	B	1057879	Pivot/Slide Tube Assembly w/ Large Composite Footplate, Black - Right	1	1
17	B	1057880	Pivot/Slide Tube Assembly w/ Large Composite Footplate, Black - Left	1	1
18		1057852	Tube, Pivot/Slide, Curved End, Steel, Black (9-7/8")	1	1
19		1025457	Spacer, Coved (1/4 x 3/4 x 11/32")	1	2
20		1027097	Plug Button, Black (3/4")	1	1
21		60285X006	Screw, Socket Head (1/4-20 x 2-1/4")	1	1
22		1025195	NLA - Locknut (1/4-20)	1	1
23	A	1026880	Footplate, Composite, Medium, Black (7" W x 6" L)	1	1
23	B	1026881	Footplate, Composite, Large, Black (8" W x 6" L)	1	1

NOTE: A - 18" Wide
 B - 20" Wide
 C - As of 8/15/03, the Threaded Insert was revised from 3 to 5 Holes. Threaded Insert is Backward Compatible and does not require ordering in Pairs.