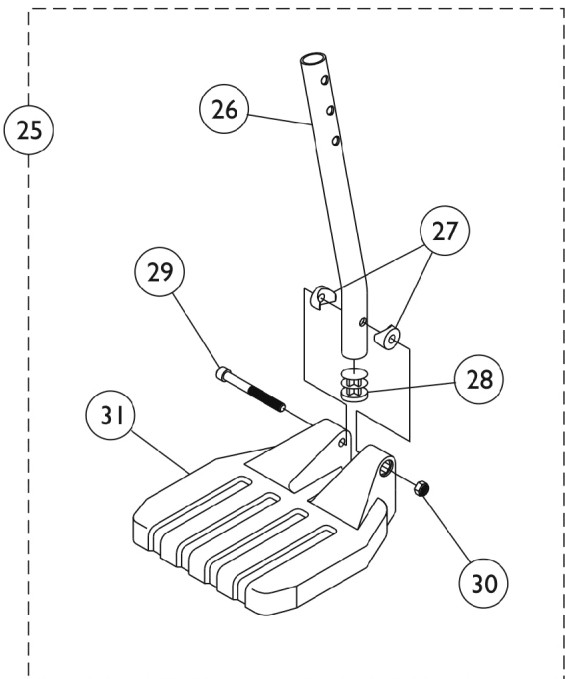
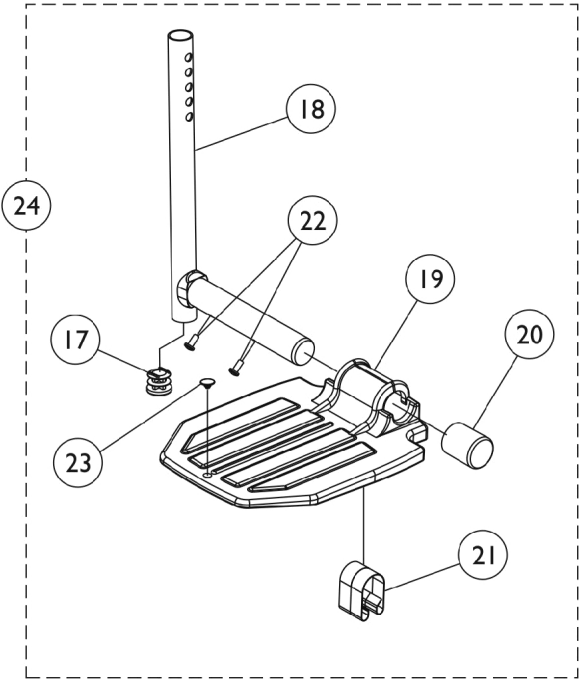
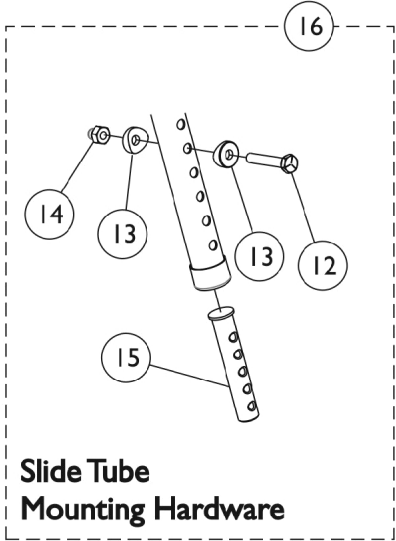
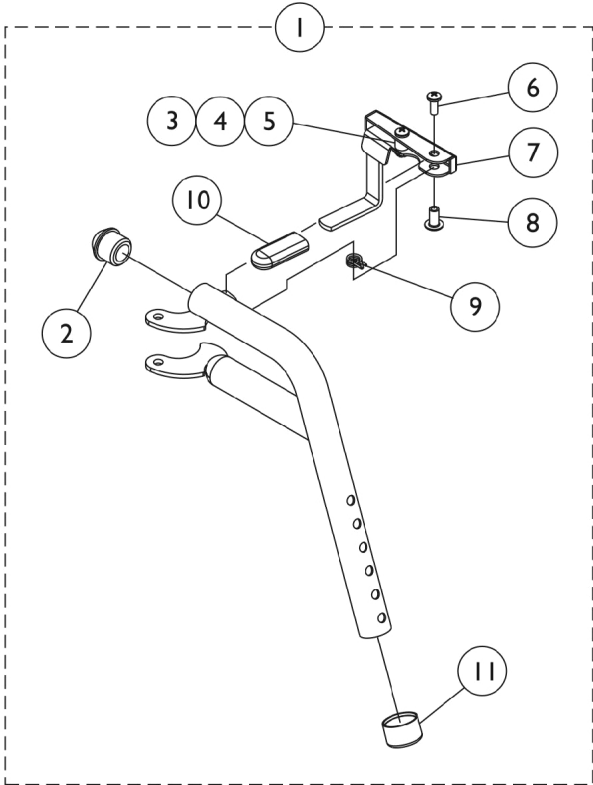


PHW93 (Hemi) Footrest and Hardware

After 1/5/03
Black



PHW93 (Hemi) Footrest and Hardware

After 1/5/03

Black

Item Number	Note	Part Number	Description	Quantity Per	
				Package	Assembly
1		1114755	Footrest Support Assembly, Hemi, Black - Right	1	1
1		1114756	Footrest Support Assembly, Hemi, Black - Left	1	1
2		1020719	Anti-Rattle, Black	1	1
3		47565X057	Bushing (7/32 x 3/8 x 11/32")	1	1
4		1025716	Screw, Phillips Pan Head (#10-32 x 11/16")	1	1
5		1025735	Locknut (#10-32)	1	1
6		1026114	Screw, Phillips Pan Head (#10-32 x 1/2")	1	1
7	A	1114749-NLA	NLA - Handle, Release, Black - Right	1	1
7	A	1114750-NLA	NLA - Handle, Release, Black - Left	1	1
8		1028846-NLA	NLA - Rivnut (#10-32)	1	1
9		1028707	Spring, Release - Right	1	1
9		1028708	Spring, Release - Left	1	1
10		1006490	Tip, Plastic, Black	1	1
11		15680X012	Collar, Anti-Rattle (7/8")	1	1
12		1070759	Screw, Hex Head (1/4-20 x 1-1/2")	1	1
13		1026099	Spacer, Coved (1/4 x 11/16 x 1/2")	1	2
14		1044214	Nut, Hex with Nylon Cap (1/4-20)	1	1
15	D	1020534	Insert, Threaded	1	1
16		1074143	Kit, Slide Tube Mounting Hardware	1	1
17		1027097	Plug Button, Black (3/4")	1	1
18		1048834	Pivot/Slide Tube w/ Plug Button, Black	1	1
19		44200X027	Footplate, Aluminum, Medium, Black (7-3/4" W x 6" L)	1	1
20		1016346	Cap, End, Tube, Black (7/8")	1	1
21		1006981	Spring, Tension	1	2
22		40120X001	Screw, Phillips Pan Head (#8-32 x 3/8")	1	1
23		1070168	Plug, Push, Footplate	1	1
24	C	1074149	Pivot/Slide Tube Assembly w/ Aluminum Footplate, Black - Right	1	1
24	C	1074150	Pivot/Slide Tube Assembly w/ Aluminum Footplate, Black - Left	1	1
25	C	1057879	Pivot/Slide Tube Assembly w/ Large Composite Footplate, Black - Right	1	1
25	C	1057880	Pivot/Slide Tube Assembly w/ Large Composite Footplate, Black - Left	1	1
25	C	1057881	Pivot/Slide Tube Assembly w/ Composite Footplate, Black - Right (2" Longer)	1	1
25	C	1057882	Pivot/Slide Tube Assembly w/ Composite Footplate, Black - Left (2" Longer)	1	1
25	C	1058423	Pivot/Slide Tube Assembly w/ Composite Footplate, Black - Right (4" Longer)	1	1
25	C	1058424	Pivot/Slide Tube Assembly w/ Composite Footplate, Black - Left (4" Longer)	1	1
26		1057852	Tube, Pivot/Slide, Curved End, Steel, Black (9-7/8")	1	1
26		1057854	Tube, Pivot/Slide, Curved End, 2" Longer, Steel, Black	1	1

PHW93 (Hemi) Footrest and Hardware

After 1/5/03

Black

Item Number	Note	Part Number	Description	Quantity Per	
				Package	Assembly
26		1058418	Tube, Pivot/Slide, Curved End, 4" Longer, Steel, Black	1	1
27		1025457	Spacer, Coved (1/4 x 3/4 x 11/32")	1	2
28		1027097	Plug Button, Black (3/4")	1	1
29		60285X006	Screw, Socket Head (1/4-20 x 2-1/4")	1	1
30		1025195	NLA - Locknut (1/4-20)	1	1
31	B,E	1026881	Footplate, Composite, Large, Black (8" W x 6" L)	1	1
		1114997	Kit, Front Rigging Hanger Attachment	1	1
			NLA - Bag, Poly Zip-Lip (13" L x 9" W)	1	1
			NLA - Instruction Sheet, Front Rigging Hanger	1	1
			Front Rigging Hanger Assembly w/ Plug Button, Hemi, Black - Right	1	1
			Front Rigging Hanger Assembly w/ Plug Button, Hemi, Black - Left	1	1
			Locknut (1/4-20)	1	4
			NLA - Spacer (1/4 x 3/8 x 3/16")	1	4
			Screw, Hex Head (1/4-20 x 1-1/2")	1	4
			Carton, Shipper	1	1

NOTE: A - Includes items 3-5
 B - Not Shown
 C - For 18" and 20" wide chairs
 D - As of 8/15/03, the Threaded Insert was revised from 3 to 5 Holes. Threaded Insert is Backward Compatible and does not require ordering in Pairs.
 E - Part number 1110523 is no longer available from the Invacare Service Parts Department. Refer to the Invacare Website under "Product Literature Search". Enter the part number in the "Keywords" field and download a free PDF version copy.