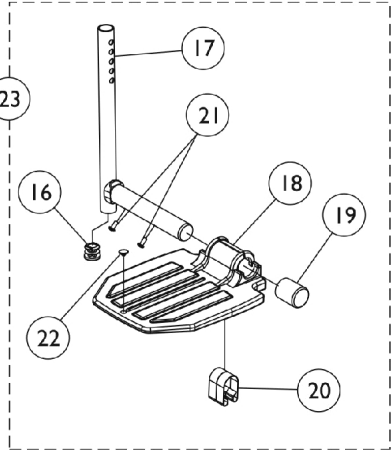
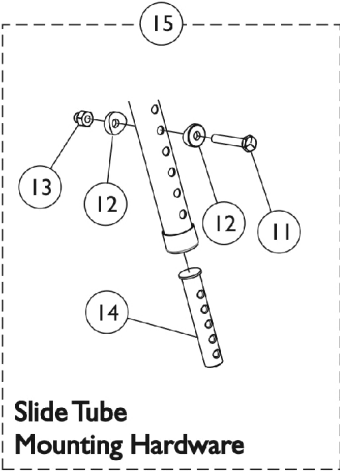
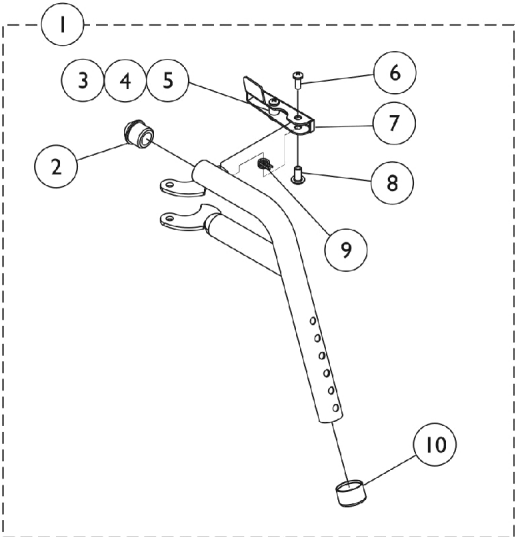


PHW93 (Hemi) Footrest and Hardware

9/1/02-1/5/03

Note: Heel Loops are not included. See miscellaneous accessories.
Note: Front hemi rigging attachment kit (1114997) must be present when using footrest.



PHW93 (Hemi) Footrest and Hardware

9/1/02-1/5/03

Note: Heel Loops are not included. See miscellaneous accessories.

Note: Front hemi rigging attachment kit (1114997) must be present when using footrest.

Item Number	Note	Part Number	Description	Quantity Per	
				Package	Assembly
1		1114790-NLA	NLA - Footrest Support Assembly, Hemi, Black - Right	1	1
1		1114791	Footrest Support Assembly, Hemi, Black - Left	1	1
2		1020719	Anti-Rattle, Black	1	1
3		47565X057	Bushing (7/32 x 3/8 x 11/32")	1	1
4		1025716	Screw, Phillips Pan Head (#10-32 x 11/16")	1	1
5		1025735	Locknut (#10-32)	1	1
6		1026114	Screw, Phillips Pan Head (#10-32 x 1/2")	1	1
7	A	1113033	NLA - Handle, Release w/ Hardware, Black - Right	1	1
7	A	1113034-NLA	NLA - Handle, Release, Black - Left	1	1
8		1028846-NLA	NLA - Rivnut (#10-32)	1	1
9		1028707	Spring, Release - Right	1	1
9		1028708	Spring, Release - Left	1	1
10		15680X012	Collar, Anti-Rattle (7/8")	1	1
11		1070759	Screw, Hex Head (1/4-20 x 1-1/2")	1	1
12		1026099	Spacer, Coved (1/4 x 11/16 x 1/2")	1	2
13		1044214	Nut, Hex with Nylon Cap (1/4-20)	1	1
14	C	1020534	Insert, Threaded	1	1
15		1074143	Kit, Slide Tube Mounting Hardware	1	1
16		1027097	Plug Button, Black (3/4")	1	1
17		1048834	Pivot/Slide Tube w/ Plug Button, Black	1	1
18		44200X027	Footplate, Aluminum, Medium, Black (7-3/4" W x 6" L)	1	1
19		1016346	Cap, End, Tube, Black (7/8")	1	1
20		1006981	Spring, Tension	1	2
21		40120X001	Screw, Phillips Pan Head (#8-32 x 3/8")	1	1
22		1070168	Plug, Push, Footplate	1	1
23		1074149	Pivot/Slide Tube Assembly w/ Aluminum Footplate, Black - Right	1	1
23		1074150	Pivot/Slide Tube Assembly w/ Aluminum Footplate, Black - Left	1	1
	B,D	1114997	Kit, Front Rigging Hanger Attachment	1	1
			NLA - Bag, Poly Zip-Lip (13" L x 9" W)	1	1
			NLA - Instruction Sheet, Front Rigging Hanger	1	1
			Front Rigging Hanger Assembly w/ Plug Button, Hemi, Black - Right	1	1
			Front Rigging Hanger Assembly w/ Plug Button, Hemi, Black - Left	1	1
			Locknut (1/4-20)	1	4
			NLA - Spacer (1/4 x 3/8 x 3/16")	1	4
			Screw, Hex Head (1/4-20 x 1-1/2")	1	4
			Carton, Shipper	1	1

PHW93 (Hemi) Footrest and Hardware

9/1/02-1/5/03

Note: Heel Loops are not included. See miscellaneous accessories.

Note: Front hemi rigging attachment kit (1114997) must be present when using footrest.

NOTE:	A - Includes items 3-5
	B - Not Shown
	C - As of 8/15/03, the Threaded Insert was revised from 3 to 5 Holes. Threaded Insert is Backward Compatible and does not require ordering in Pairs.
	D - Part number 1110523 is no longer available from the Invacare Service Parts Department. Refer to the Invacare Website under "Product Literature Search". Enter the part number in the "Keywords" field and download a free PDF version copy.