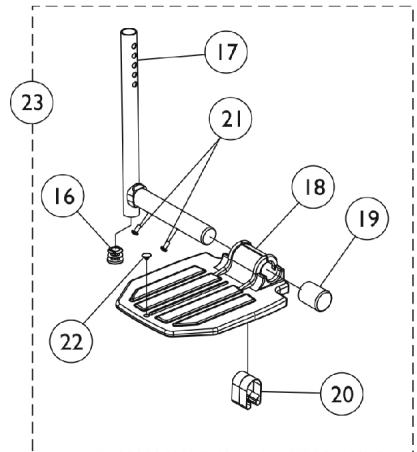
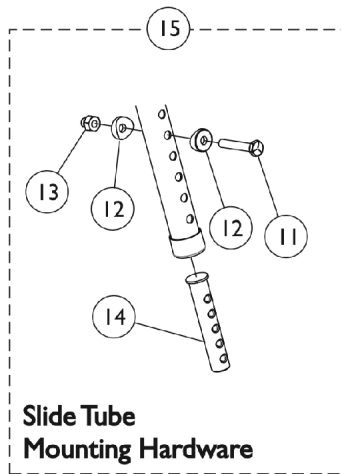
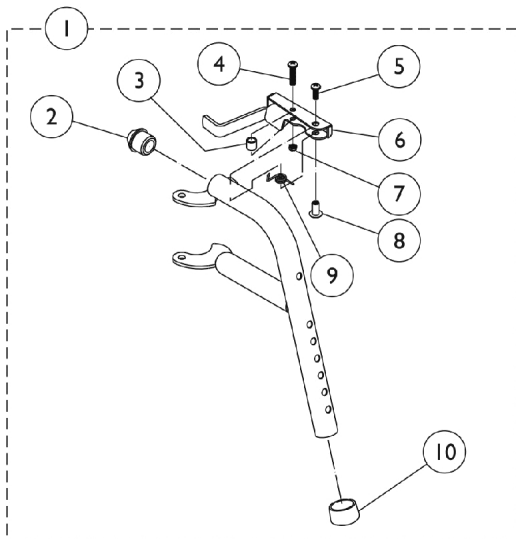


# PW93 Footrest and Hardware

Before 9/1/02

Note: Heel Loops are not included. See miscellaneous accessories.

Note: Front riggings attachment kit (FRKTM5) must be present when using footrest.



# PW93 Footrest and Hardware

## Before 9/1/02

**Note: Heel Loops are not included. See miscellaneous accessories.**

**Note: Front riggings attachment kit (FRKTM5) must be present when using footrest.**

| Item Number | Note | Part Number | Description  | Quantity Per |          |
|-------------|------|-------------|--|--------------|----------|
|             |      |             |  | Package      | Assembly |
| 1           |      | 1108638-NLA | NLA - Footrest Support Assembly, Adult, Black - Right          | 1            | 1        |
| 1           |      | 1108639-NLA | NLA - Footrest Support Assembly, Adult, Black - Left           | 1            | 1        |
| 2           |      | 1020719     | Anti-Rattle, Black   | 1            | 1        |
| 3           |      | 47565X057   | Bushing (7/32 x 3/8 x 11/32")                                  | 1            | 1        |
| 4           |      | 1025716     | Screw, Phillips Pan Head (#10-32 x 11/16")                     | 1            | 1        |
| 5           |      | 1026114     | Screw, Phillips Pan Head (#10-32 x 1/2")                       | 1            | 1        |
| 6           |      | 1035539     | Handle, Release, Black - Right                                 | 1            | 1        |
| 6           |      | 1035540     | Handle, Release, Black - Left                                  | 1            | 1        |
| 7           |      | 1025735     | Locknut (#10-32)   | 1            | 1        |
| 8           |      | 1028846-NLA | NLA - Rivnut (#10-32)  | 1            | 1        |
| 9           |      | 1028707     | Spring, Release - Right  | 1            | 1        |
| 9           |      | 1028708     | Spring, Release - Left   | 1            | 1        |
| 10          |      | 15680X012   | Collar, Anti-Rattle (7/8")                                     | 1            | 1        |
| 11          |      | 1070759     | Screw, Hex Head (1/4-20 x 1-1/2")                              | 1            | 1        |
| 12          |      | 1026099     | Spacer, Coved (1/4 x 11/16 x 1/2")                             | 1            | 2        |
| 13          |      | 1044214     | Nut, Hex with Nylon Cap (1/4-20)                               | 1            | 1        |
| 14          | A    | 1020534     | Insert, Threaded   | 1            | 1        |
| 15          |      | 1074143     | Kit, Slide Tube Mounting Hardware                              | 1            | 1        |
| 16          |      | 1027097     | Plug Button, Black (3/4")                                      | 1            | 1        |
| 17          |      | 1048834     | Pivot/Slide Tube w/ Plug Button, Black                         | 1            | 1        |
| 18          |      | 44200X027   | Footplate, Aluminum, Medium, Black (7-3/4" W x 6" L)           | 1            | 1        |
| 19          |      | 1016346     | Cap, End, Tube, Black (7/8")                                   | 1            | 1        |
| 20          |      | 1006981     | Spring, Tension  | 1            | 2        |
| 21          |      | 40120X001   | Screw, Phillips Pan Head (#8-32 x 3/8")                        | 1            | 1        |
| 22          |      | 1070168     | Plug, Push, Footplate  | 1            | 1        |
| 23          |      | 1074149     | Pivot/Slide Tube Assembly w/ Aluminum Footplate, Black - Right | 1            | 1        |
| 23          |      | 1074150     | Pivot/Slide Tube Assembly w/ Aluminum Footplate, Black - Left  | 1            | 1        |

NOTE: A - As of 8/15/03, the Threaded Insert was revised from 3 to 5 Holes. Threaded Insert is Backward Compatible and does not require ordering in Pairs.