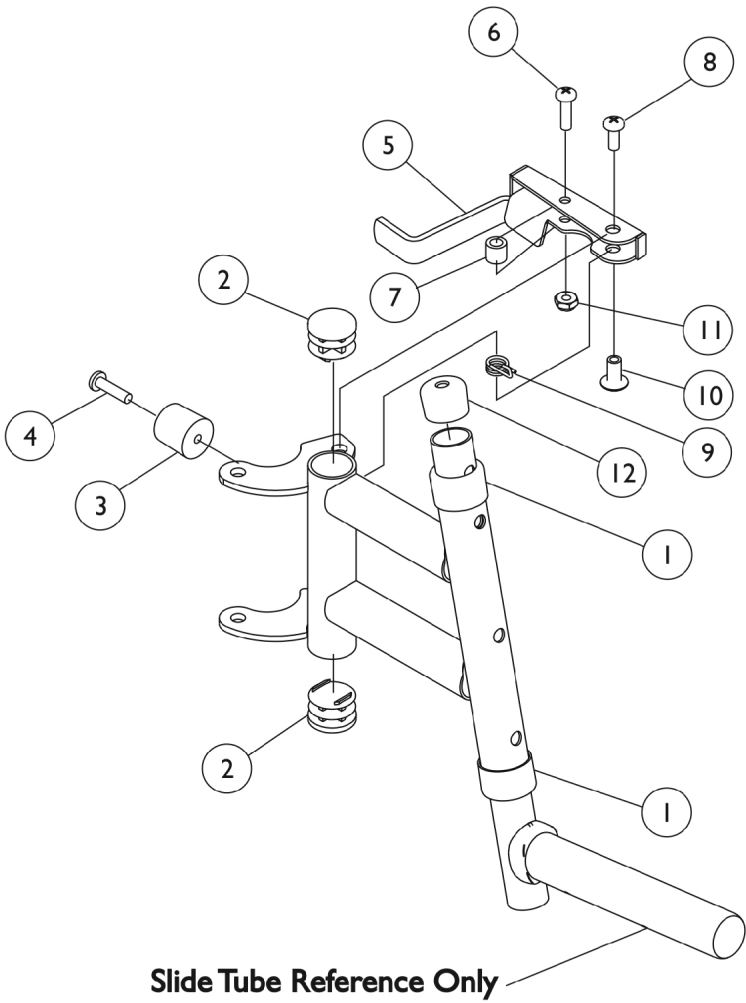
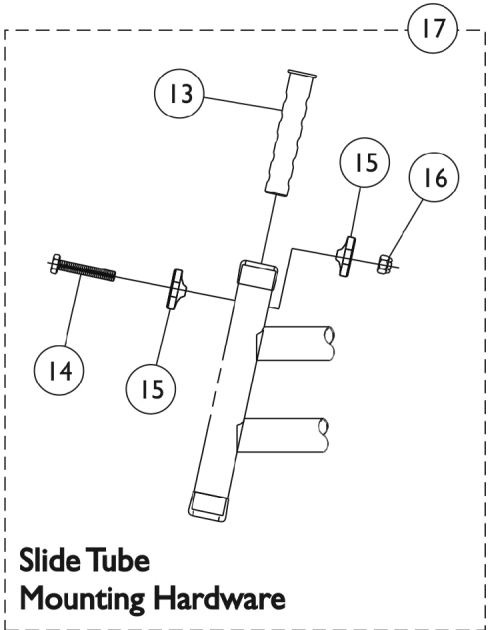


PW93E Footrest Supports

Pin and Saddle



PW93E Footrest Supports Pin and Saddle

Item Number	Note	Part Number	Description	Quantity Per	
				Package	Assembly
1		15680X012	Collar, Anti-Rattle (7/8")	1	2
2		1027095	Plug Button, Black (7/8")	1	2
3		1022874	Bumper	1	1
4		1030979	Screw, Phillips Pan Head Tap (#10-32 x 3/4")	1	1
5		1035539	Handle, Release, Black - Right	1	1
5		1035540	Handle, Release, Black - Left	1	1
6		1025716	Screw, Phillips Pan Head (#10-32 x 11/16")	1	1
7		47565X057	Bushing (7/32 x 3/8 x 11/32")	1	1
8		1026114	Screw, Phillips Pan Head (#10-32 x 1/2")	1	1
9		1028707	Spring, Release - Right	1	1
9		1028708	Spring, Release - Left	1	1
10		1028846-NLA	NLA - Rivnut (#10-32)	1	1
11		1025735	Locknut (#10-32)	1	1
12		1074108	Cap, End Tube, Black (3/4")	1	1
13	C	1020534	Insert, Threaded	1	1
14		1070759	Screw, Hex Head (1/4-20 x 1-1/2")	1	1
15		1026099	Spacer, Coved (1/4 x 11/16 x 1/2")	1	2
16		1044214	Nut, Hex with Nylon Cap (1/4-20)	1	1
17		1074143	Kit, Slide Tube Mounting Hardware	1	1
	A,B	8881070768-NL A	NLA - Footrest Support Assembly, Adult, Color - Right	1	1
	A,B	8881070769-NL A	NLA - Footrest Support Assembly, Adult, Color - Left	1	1

NOTE: A - Specify frame color when ordering, see page titled "Packaging, Literature, Frame Finishes and Touch-Up Paint."
B - Not Shown
C - As of 8/15/03, the Threaded Insert was revised from 3 to 5 Holes. Threaded Insert is Backward Compatible and does not require ordering in Pairs.