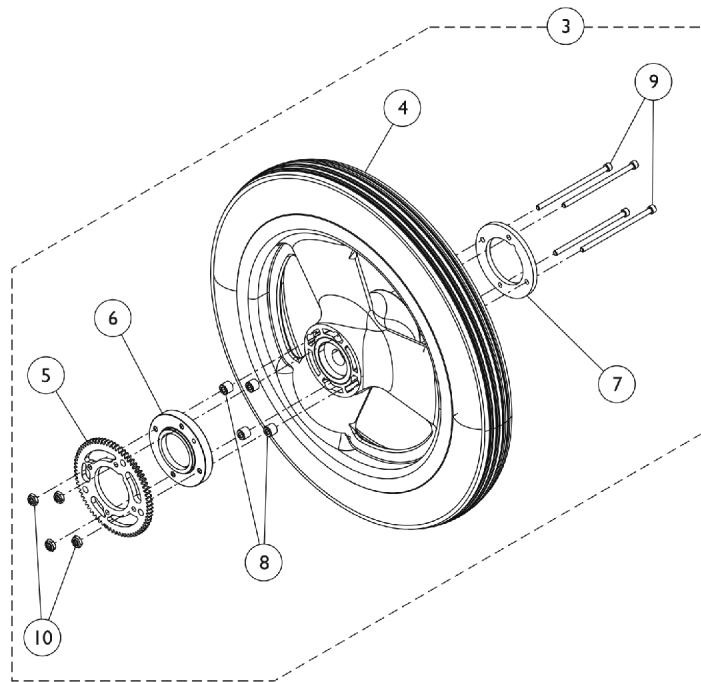
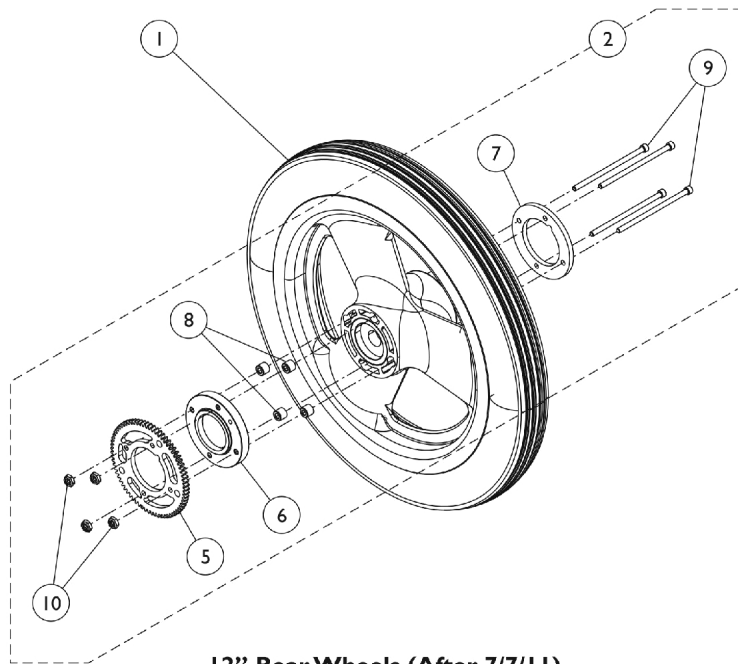


# Rear Wheels w/o Handrims, w/ Hublocks (12" Wheels)



12" Rear Wheels (Before 7/8/11)



12" Rear Wheels (After 7/7/11)

## Rear Wheels w/o Handrims, w/ Hublocks (12" Wheels)

Item Number	Note	Part Number	Description	Quantity Per		
				Package	Assembly	
1	A	See Chart	#1 Rear Wheels with Hublocks (After 7/7/11)	1	1	
2		1167105	Kit, Hublock Hardware, Wheel (12")	1	1	
5			Ring, Gear, Hublock	1	1	
6			Adapter, Wheel Hub	1	1	
7			Ring, Retaining, Wheel (12-1/2")	1	1	
8			Spacer, Wheel Hub	1	4	
9			Screw, Socket, Cap (#6-32 x 2-3/4")	1	4	
10			NLA - Nut, Hex Lock (#6-32)	1	4	
3		B	1169314	Kit, Wheel Assembly w/ Hublock Hardware, Pneumatic FF (12")	1	1
4				Wheel Assembly, Composite, Pneumatic w/ Flat Free, Hublock (12" x 2-1/4")	1	1
5			Ring, Gear, Hublock	1	1	
6			Adapter, Wheel Hub	1	1	
7			Ring, Retaining, Wheel (12-1/2")	1	1	
8			Spacer, Wheel Hub	1	4	
9			Screw, Socket, Cap (#6-32 x 2-3/4")	1	4	
10			NLA - Nut, Hex Lock (#6-32)	1	4	
3	B		1169315	Kit, Wheel Assembly w/ Hublock Hardware, Pneumatic (12")	1	1
4				Wheel Assembly, Composite, Pneumatic, Hublock (12" x 2-1/4")	1	1
5			Ring, Gear, Hublock	1	1	
6			Adapter, Wheel Hub	1	1	
7			Ring, Retaining, Wheel (12-1/2")	1	1	
8			Spacer, Wheel Hub	1	4	
9			Screw, Socket, Cap (#6-32 x 2-3/4")	1	4	
10			NLA - Nut, Hex Lock (#6-32)	1	4	

NOTE: A - Includes items 5 - 10.  
B - Includes items 4 - 10. When replacing a wheel with Hublock that originally used six screws on chairs manufactured before 7/8/2011, Item #3 (1169314 or 1169315) must be ordered because the new Hublock design only uses four.

### #1 Rear Wheels with Hublocks (After 7/7/11)

Style	Size	Wheel	Tire Type	Tire	Tube/Insert	Outer Bearing	Inner Bearing
12COM	12 x 2-1/4"	1167104 See Note(s) A	Pneumatic	1011524	1011525	1104350	1104350
12COM	12 x 2-1/4"	1167103 See Note(s) A	Pneumatic w/ Flat Free	1011524	1165859	1104350	1104350
12COM	12 x 2-1/4"	1167102 See Note(s) A	Urethane	N/A	N/A	1104350	1104350

NOTE: A - The 12" Wheel only accommodates a Hublock that uses four attaching screws. Existing 12" wheels in the field that have six attaching hole locations must be replaced with item #3 (1169314 or 1169315).