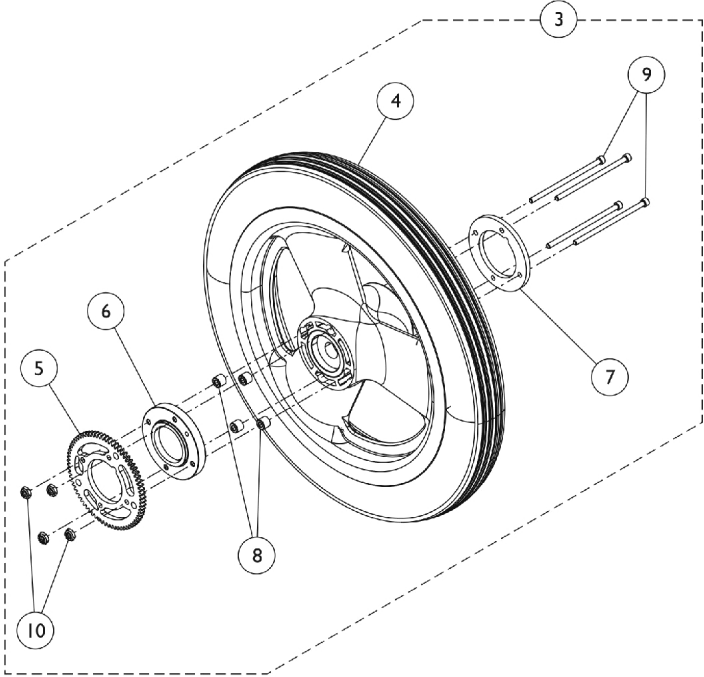
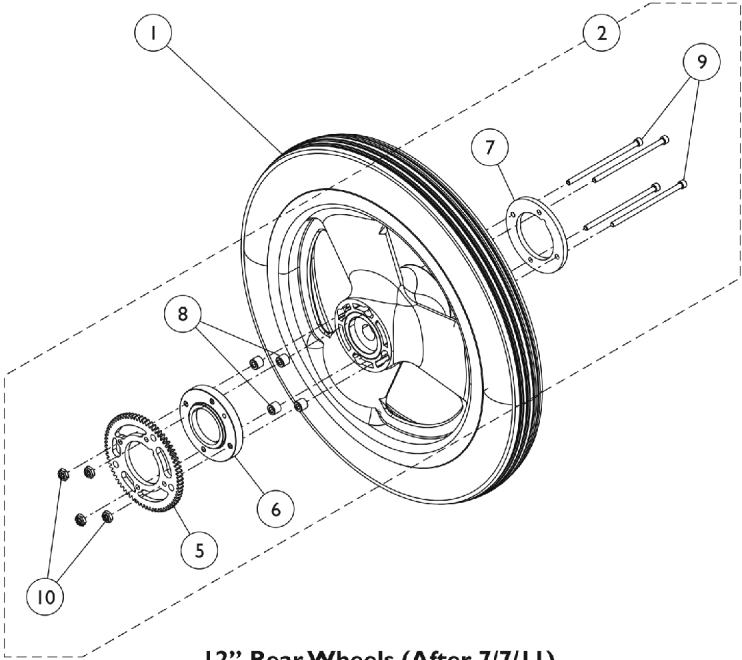


Composite Rear Wheels - w/ Hublocks, w/o Handdrims (12" Wheels)



12" Rear Wheels (Before 7/8/11)



12" Rear Wheels (After 7/7/11)

Composite Rear Wheels - w/ Hublocks, w/o Handrims (12" Wheels)

| Item Number | Note | Part Number | Description | Quantity Per | | |
|-------------|------|-------------|---|---|----------|---|
| | | | | Package | Assembly | |
| 1 | A | See Chart | #1 Rear Wheels with Hublocks (After 7/7/11) | 1 | 1 | |
| 2 | | 1167105 | Kit, Hublock Hardware, Wheel (12") | 1 | 1 | |
| 5 | | | Ring, Gear, Hublock | 1 | 1 | |
| 6 | | | Adapter, Wheel Hub | 1 | 1 | |
| 7 | | | Ring, Retaining, Wheel (12-1/2") | 1 | 1 | |
| 8 | | | Spacer, Wheel Hub | 1 | 4 | |
| 9 | | | Screw, Socket, Cap (#6-32 x 2-3/4") | 1 | 4 | |
| 10 | | | NLA - Nut, Hex Lock (#6-32) | 1 | 4 | |
| 3 | | B | 1169314 | Kit, Wheel Assembly w/ Hublock Hardware, Pneumatic FF (12") | 1 | 1 |
| 4 | | | | Wheel Assembly, Composite, Pneumatic w/ Flat Free, Hublock (12" x 2-1/4") | 1 | 1 |
| 5 | | | Ring, Gear, Hublock | 1 | 1 | |
| 6 | | | Adapter, Wheel Hub | 1 | 1 | |
| 7 | | | Ring, Retaining, Wheel (12-1/2") | 1 | 1 | |
| 8 | | | Spacer, Wheel Hub | 1 | 4 | |
| 9 | | | Screw, Socket, Cap (#6-32 x 2-3/4") | 1 | 4 | |
| 10 | | | NLA - Nut, Hex Lock (#6-32) | 1 | 4 | |
| 3 | B | | 1169315 | Kit, Wheel Assembly w/ Hublock Hardware, Pneumatic (12") | 1 | 1 |
| 4 | | | | Wheel Assembly, Composite, Pneumatic, Hublock (12" x 2-1/4") | 1 | 1 |
| 5 | | | Ring, Gear, Hublock | 1 | 1 | |
| 6 | | | Adapter, Wheel Hub | 1 | 1 | |
| 7 | | | Ring, Retaining, Wheel (12-1/2") | 1 | 1 | |
| 8 | | | Spacer, Wheel Hub | 1 | 4 | |
| 9 | | | Screw, Socket, Cap (#6-32 x 2-3/4") | 1 | 4 | |
| 10 | | | NLA - Nut, Hex Lock (#6-32) | 1 | 4 | |

NOTE: A - Includes items 5 - 10.
B - Includes items 4 - 10. When replacing a wheel with Hublock that originally used six screws on chairs manufactured before 7/8/2011, Item #3 (1169314 or 1169315) must be ordered because the new Hublock design only uses four.

#1 Rear Wheels with Hublocks (After 7/7/11)

| Style | Size | Wheel | Tire Type | Tire | Tube/Insert | Outer Bearing | Inner Bearing |
|-------|-------------|--------------------------|------------------------|---------|-------------|---------------|---------------|
| 12COM | 12 x 2-1/4" | 1167104 See Note(s) A | Pneumatic | 1011524 | 1011525 | 1104350 | 1104350 |
| 12COM | 12 x 2-1/4" | 1167103 See Note(s) A | Pneumatic w/ Flat Free | 1011524 | 1165859 | 1104350 | 1104350 |
| 12COM | 12 x 2-1/4" | 1167102 See Note(s) A | Urethane | N/A | N/A | 1104350 | 1104350 |

NOTE: A - The 12" Wheel only accommodates a Hublock that uses four attaching screws. Existing 12" wheels in the field that have six attaching hole locations must be replaced with item #3 (1169314 or 1169315).