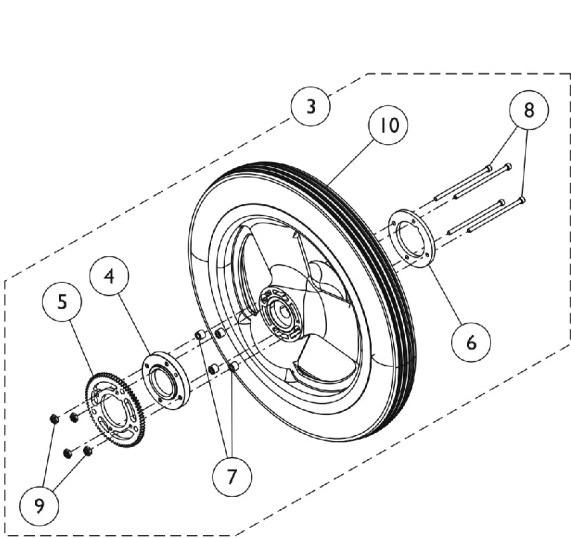
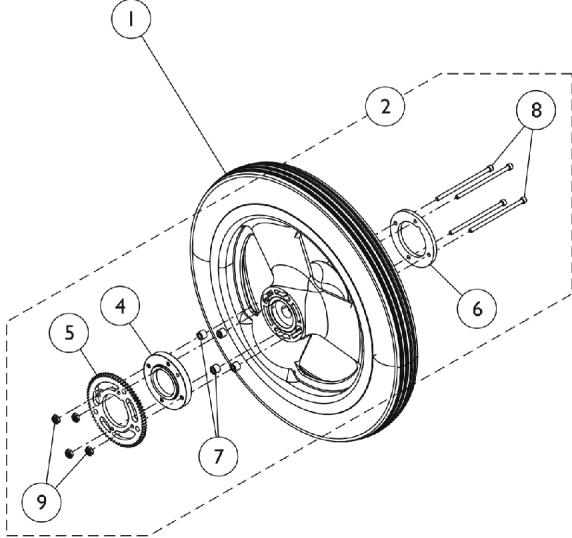


Composite Rear Wheels - w/ Hublocks, w/o Handdrims (12" and 20" Wheels)

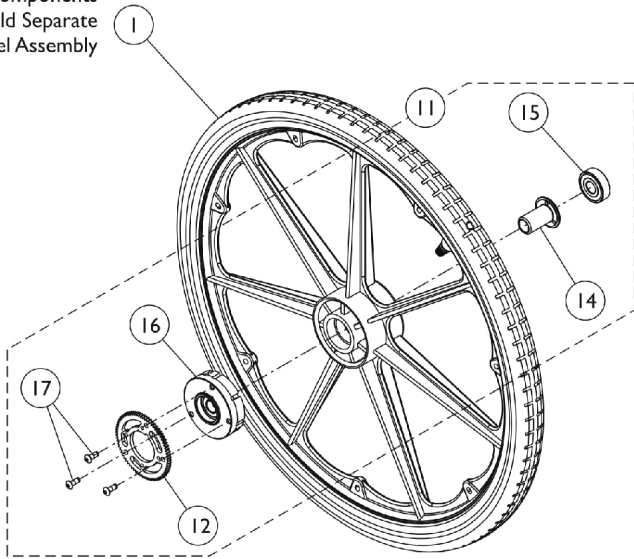


12" Rear Wheels
(Before 6/30/10)



12" Rear Wheels
(After 6/29/10)

Hub Components
Are Not Sold Separate
From Wheel Assembly



20" Rear Wheels

Composite Rear Wheels - w/ Hublocks, w/o Handrims (12" and 20" Wheels)

Item Number	Note	Part Number	Description	Quantity Per	
				Package	Assembly
1		See Chart	#1 Rear Wheels with Hublocks	1	1
2	A	1167105	Kit, Hublock Hardware, Wheel (12")	1	1
4			Adapter, Wheel Hub	1	1
5			Ring, Gear, Hublock	1	1
6			Ring, Retaining, Wheel (12-1/2")	1	1
7			Spacer, Wheel Hub	1	4
8			Screw, Socket, Cap (#6-32 x 2-3/4")	1	4
9			NLA - Nut, Hex Lock (#6-32)	1	4
3	B	1169314	Kit, Wheel Assembly w/ Hublock Hardware, Pneumatic FF (12")	1	1
4			Adapter, Wheel Hub	1	1
5			Ring, Gear, Hublock	1	1
6			Ring, Retaining, Wheel (12-1/2")	1	1
7			Spacer, Wheel Hub	1	4
8			Screw, Socket, Cap (#6-32 x 2-3/4")	1	4
9			NLA - Nut, Hex Lock (#6-32)	1	4
10			Wheel Assembly, Composite, Pneumatic w/ Flat Free, Hublock (12" x 2-1/4")	1	1
3	B	1169315	Kit, Wheel Assembly w/ Hublock Hardware, Pneumatic (12")	1	1
4			Adapter, Wheel Hub	1	1
5			Ring, Gear, Hublock	1	1
6			Ring, Retaining, Wheel (12-1/2")	1	1
7			Spacer, Wheel Hub	1	4
8			Screw, Socket, Cap (#6-32 x 2-3/4")	1	4
9			NLA - Nut, Hex Lock (#6-32)	1	4
10			Wheel Assembly, Composite, Pneumatic, Hublock (12" x 2-1/4")	1	1
11	C	1164038-NLA	NLA - Kit, Hublock Hardware, Wheel (20", 22", 24")	1	1
12			Hub Assembly, Composite	1	1
13			Ring, Gear, Hublock	1	1
14			Screw, Button Head Cap w/ Patch (#10-24 x 1/2)	1	3
15			Bearing (1/2" I.D. x 1-3/8" O.D.)	1	1
16			Nut, Hub Retaining	1	1

NOTE: A - Includes items 4 - 9.
B - Includes items 4 - 10. When replacing a wheel with a Hublock that originally had six screws on chairs manufactured before 6/30/10, Item #3 (1169314 or 1169315) must be ordered because the new Hublock design only uses four.
C - Includes items 12 - 15.

Composite Rear Wheels - w/ Hublocks, w/o Handrims (12" and 20" Wheels)

#1 Rear Wheels with Hublocks

Wheel Style	Wheel Size	Tire Type	Wheel Asm. w/o Hdrm.	Tire	Tube/ Insert	Outside Bearing	Inside Bearing
12COM	12 x 2-1/4"	Pneumatic	1167104 See Note(s) B	1011524	1011525	40117X022	1104350
12COM	12 x 2-1/4"	Pneumatic w/ Flat Free	1167103 See Note(s) B	1011524	1165859	40117X022	1104350
20COM	20 x 1-3/8"	Pneumatic	1164064 See Note(s) A	1017519	1017520	40117X022	N/A
20COM	20 x 1-3/8"	Pneumatic w/ Flat Free	1164065 See Note(s) A	1017519	1023322	40117X022	N/A
20COM	20 x 1-1/4"	Urethane	1164066 See Note(s) A	1037774	N/A	40117X022	N/A

NOTE: A - Wheels come assembled with Hub Assembly, Ring Gear, Retaining Nut, Bearing and Screws.
 B - The 12" Wheel only accommodates a Hublock that uses four attaching screws. Existing 12" wheels in the field that have six attaching hole locations must be replaced with Item #3 (1169314 or 1169315).