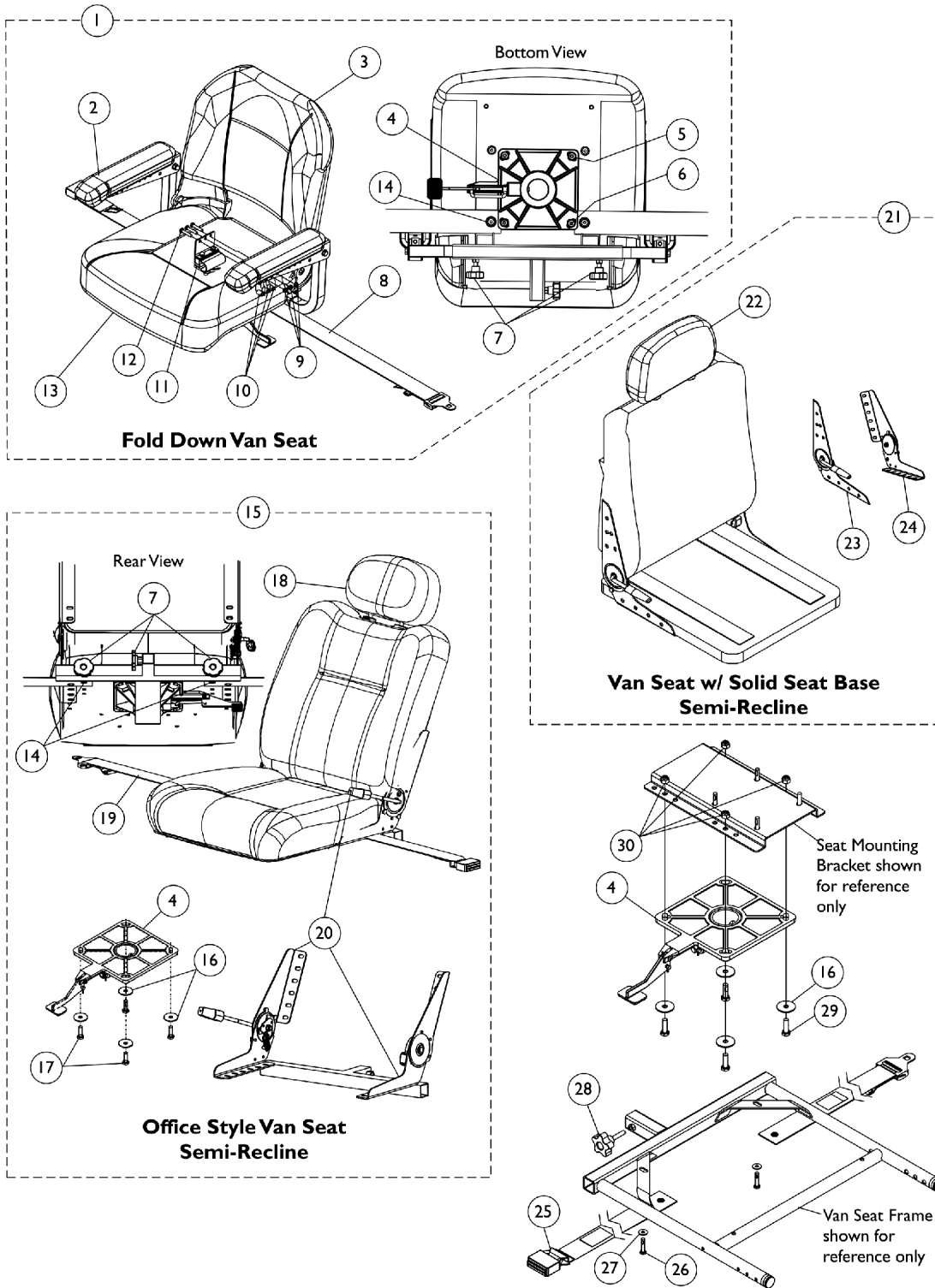


# Van Seat Assemblies & Mounting Hardware

If converting a wheelchair from Office Style Semi-Recline Van Seat to Semi-Recline Van Seat w/ Solid Seat Base, see page titled "Frames - Seat Van & Mounting Hardware" for additional service parts required.



# Van Seat Assemblies & Mounting Hardware

If converting a wheelchair from Office Style Semi-Recline Van Seat to Semi-Recline Van Seat w/ Solid Seat Base, see page titled "Frames - Seat Van & Mounting Hardware" for additional service parts required.

Item Number	Note	Part Number	Description	Quantity Per	
				Package	Assembly
1		See Chart	#1 Fold Down Van Seat Assembly	1	1
2	A	1141938-NLA	NLA - Arm Assembly, Black - Right	1	1
2	A	1141939-NLA	NLA - Arm Assembly, Black - Left	1	1
3		1145425-NLA	NLA - Cover, Back	1	1
4	M	1116413-NLA	NLA - Pivot, Seat	1	1
5		1125419	Washer, Steel (11/32 x 11/16 x 1/16")	1	4
6		1088117	Screw, Socket Button Head (5/16-18 x 1-1/4")	1	4
7		1127312-NLA	NLA - Package, Adjustment Knob (5/16-18 x 3/4")	3	1
8		1141933-NLA	NLA - Strap, Positioning, Seat/Chest w/ Auto Style Push Button Buckle (eyelet to eyelet length 61")	1	1
9	B	1025195	Locknut (1/4-20)	1	3
10	B	1101524-NLA	NLA - Spacer (1/4 x 7/16 x 5/8")	1	3
11	B	1105049	Clamp Assembly, Fixed Height, Captain/ Van Seat	1	1
12	B	1057955	Screw, Hex Head (1/4-20 x 1-1/4")	1	3
13		1145426-NLA	NLA - Cover, Seat	1	1
14	E	1127311-NLA	NLA - Package, Screw Socket Head Cap w/ Patch (1/4-20 x 3/4")	4	1
15	C,D	See Chart	#15 Office Style Van Seat Assembly (Semi-Recline)	1	1
16		1092409	Washer, Steel (5/16 x 1-1/4 x 1/16")	1	4
17		1057955	Screw, Hex Head (1/4-20 x 1-1/4")	1	4
18		1127314	Extension, Backrest, Semi Recline Office Style Van Seat	1	1
19	F	1034625	Strap, Positioning, Seat/Chest w/ Auto Style Push Button Buckle (Eyelet to Eyelet Length 61")	1	1
20	G	1144924	Bracket, Seat Frame, Black (18" W)	1	1
20	G	1148876	Bracket, Seat Frame, Black (20" W)	1	1
21		See Chart	#21 Van Seat w/ Solid Seat Base Assembly (Semi-Recline)	1	1
22		1108408	Extension, Backrest, Captain Seat, Grey Vinyl	1	1
23	K	1116634	Bracket, Hinge w/ Lever, Semi-Recline - Right	1	1
24	K	1116635	Bracket, Hinge w/o Lever, Semi-Recline - Left	1	1
25	H	1004310	Strap, Positioning, Seat/Chest w/ Auto Style Push Button Buckle (Eyelet to Eyelet Length 48")	1	1
25	I	1034625	Strap, Positioning, Seat/Chest w/ Auto Style Push Button Buckle (Eyelet to Eyelet Length 61")	1	1
25	J,N	1034622-NLA	NLA - Strap, Positioning, Seat/Chest w/ Auto Style Push Button Buckle (Eyelet to Eyelet Length 69")	1	1
26		1088897-NLA	NLA - Screw, Hex Head w/ Patch (1/4-20 x 1-1/4")	1	4
27		1026900	Washer (1/4 x 23/32 x 1/16")	1	4
28		1114911-NLA	NLA - Knob, Adjustment, Black (5/16-18 x 1-1/2")	1	1
29		1104258	Screw, Hex Head w/ Patch (5/16-18 x 1")	1	4
30		1026158	Locknut (5/16-18)	1	4
	L	5000136	Screw, Phillips Truss Head (1/4-20 x 3/4")	1	14

# Van Seat Assemblies & Mounting Hardware

If converting a wheelchair from Office Style Semi-Recline Van Seat to Semi-Recline Van Seat w/ Solid Seat Base, see page titled "Frames - Seat Van & Mounting Hardware" for additional service parts required.

NOTE:	A - Arms listed are used for the Fold Down Van Seat only.
	B - Please see Electronics - SPJ+ Joystick category for Joystick Tube Mounting Hardware Kit.
	C - When replacing the Semi-Recline Van Seat, the Front Rigging Hanger Attachment Kit may need to be ordered as well since it is not included. See Front Rigging Hanger category.
	D - Arms are not included with the Semi-Recline Van Seat. See Arm category for service parts.
	E - Package includes 4 screws that are used to attach the Seat Positioning Strap to item #8 or #19.
	F - Used for 18" or 20" wide Office Style Semi-Recline Van Seat Assembly.
	G - Hinge Brackets used for Office Style Semi-Recline Seat models only. For attaching Hinge Bracket, see part number 5000136.
	H - Used for item #21 16" wide Semi-Recline Van Seat only.
	I - Used for item #21 18" wide Semi-Recline Van Seat only.
	J - Used for item #21 20" wide Semi-Recline Van Seat only.
	K - Hinge Brackets used for Solid Seat Base Semi-Recline models only. For attaching Hinge Bracket, see part number 5000136.
	L - Not shown, Screw for Hinge Bracket(s) 1116634 and 1116635. Total of (7) required for each Bracket.
	M - Seat Pivot assembles directly to the bottom of the Fold Down Van Seat or the Office Style Semi-Recline Van Seat. On the Semi-Recline Van Seat w/ Solid Seat Base the Seat Pivot assembles to the Seat Mounting Bracket.
	N - For replacement contact The Aftermarket Group (TAG).

## #1 Fold Down Van Seat Assembly

(Backrest Not Offered)

All Grey Fabric Upholstery	All Grey Vinyl Upholstery (18" Wide)	All Tan Vinyl Upholstery
N/A	1141942-NLA See Note(s) A	N/A

NOTE: A - Includes items 2-14.  
Fold down van seat has four stop angle adjustment settings that include 95, 100, 105, & 110 degrees and adjustable seat depths of 16", 17", & 18".

## #15 Office Style Semi-Recline Van Seat Assembly (Semi-Recline)

Dark Grey/Charcoal Vinyl Upholstery 16" Wide	Dark Grey/Charcoal Vinyl Upholstery 18" Wide	Dark Grey/Charcoal Vinyl Upholstery 20" Wide
Not Available See Note(s) A	1127716-NLA See Note(s) B	1148882-NLA See Note(s) B

NOTE: A - Not Available as a service part. Must order a new 16" wide Pronto M41 Power Wheelchair stock SKU.  
B - Includes the Van Seat and items 4, 7, 14 and 16-20.  
Semi-Recline Van Seat reclines approx. 90-114 degrees. Adjustable depths are 16", 17", & 18" deep. Recline release levers are standard on the right side.

## #21 Van Seat w/ Solid Seat Base Assembly (Semi-Recline)

Upholstery Type	Van Seat with Backrest 16" Wide	Van Seat with Backrest 18" Wide	Van Seat with Backrest 20" Wide
All Grey Vinyl	1150819 See Note(s) B, A	1150820 See Note(s) A, B	1159886 See Note(s) A, B

NOTE: A - Includes the Van Seat and items 22-24.  
B - If converting a wheelchair from Office Style Semi-Recline Van Seat to Semi-Recline Van Seat w/ Solid Seat Base, see page titled "Frames - Seat Van & Mounting Hardware" for additional service parts required.  
Semi-Recline Van Seat reclines approx. 90-114 degrees. Adjustable depths are (16", 17", & 18" deep for 16" & 18" wide seats) and (18", 19", & 20" deep for 20" wide seats). Recline release levers are standard on the right side. Left side release levers can be ordered as a special with a new van seat.