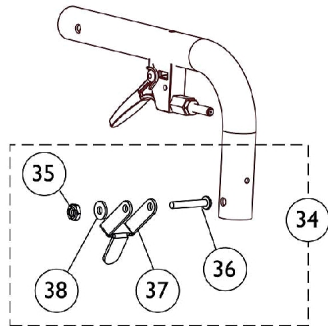
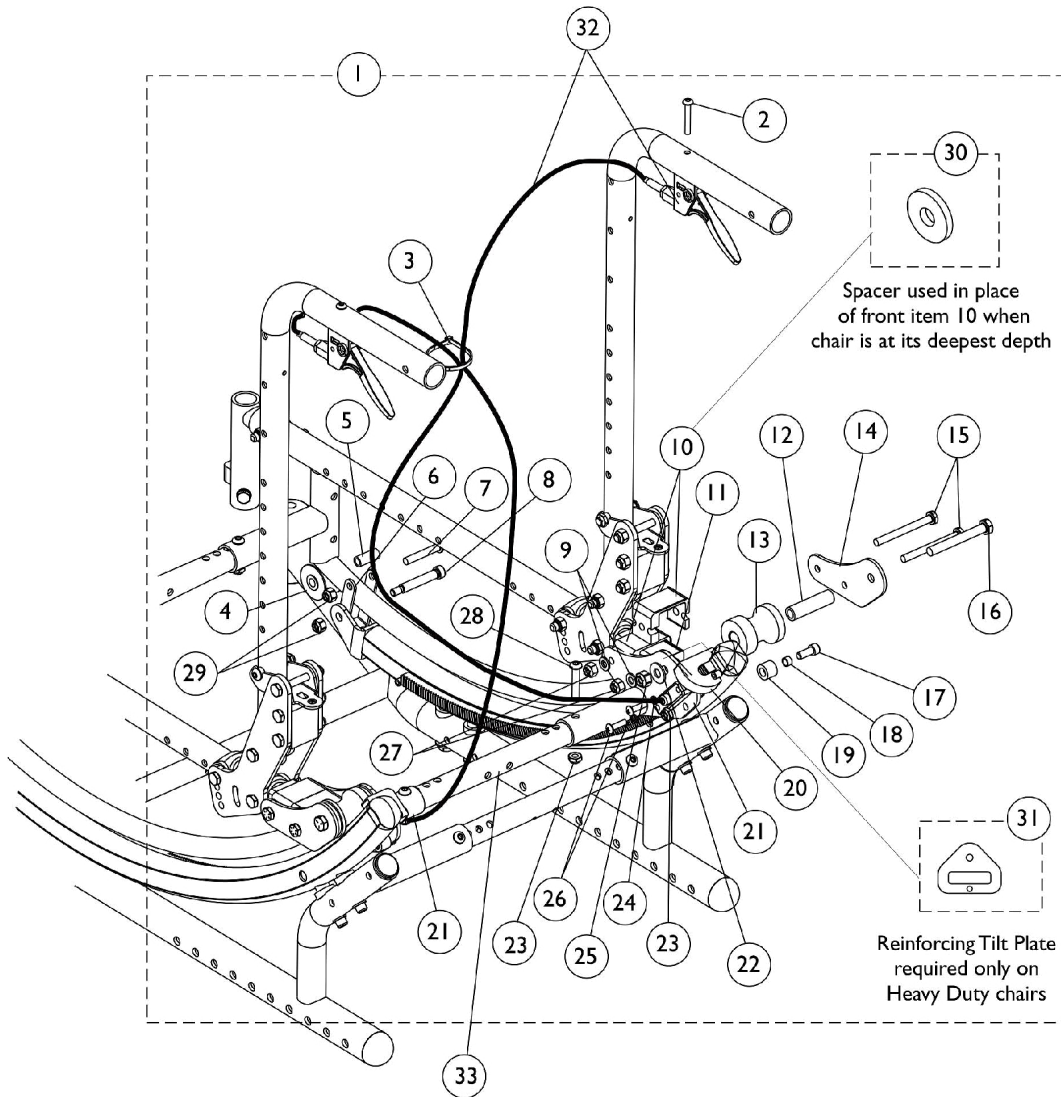


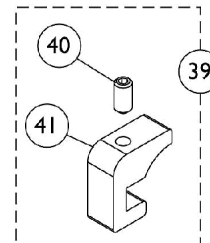
Tilt Hardware - Hand Release

Before 5/22/06

Invacare does not service any parts associated with the TRRO/TRBKTS option including tilt hardware, belts, belt attachment hardware, tie-down brackets, etc. Chairs with the Transport Ready or Transport Bracket option must be returned to Invacare for service. The Tilt Release Cable Assembly may be replaced and serviced by an authorized Invacare dealer.



Tilt Lock Out Lever Kit



Tilt Lock Out Stop Kit

Tilt Hardware - Hand Release

Before 5/22/06

Invacare does not service any parts associated with the TRRO/TRBKTS option including tilt hardware, belts, belt attachment hardware, tie-down brackets, etc. Chairs with the Transport Ready or Transport Bracket option must be returned to Invacare for service. The Tilt Release Cable Assembly may be replaced and serviced by an authorized Invacare dealer.

Item Number	Note	Part Number	Description	Quantity Per	
				Package	Assembly
1	A,E	1127692-NLA	NLA - Kit, Tilt Hardware	1	1
2			Screw, Socket Button Head (10-32 x 1-1/4")	1	2
3			Tie Wrap (5-5/8" L)	1	1
4			NLA - Roller w/ Bushings	1	2
5			NLA - Sleeve (1/4-10 x 7/8 x 1/6" O.D.)	1	2
6			NLA - Roller, Link	1	2
7			Screw, Socket Button Head (1/4-20 x 1-1/2")	1	2
8			NLA - Screw, Shoulder Hex Socket Head (5/16" x 1-3/4", 1/4-20)	1	2
9			Washer (1/4 x 1/2 x 1/16")	1	4
10			Spacer	1	4
11			NLA - Bracket, Tilt Mounting Plate, Black	1	2
12			NLA - Bushing, Roller	1	2
13			NLA - Roller	1	2
14			Plate, Outer Tilt	1	2
15			NLA - Screw, Hex Head (1/4-28 x 2-1/2")	1	4
16			Screw, Hex Head (5/16-24 x 2-1/2")	1	2
17			NLA - Screw, Socket Head (1/4-28 x 5/8")	1	2
18			Bushing (1/4 x 5/16 x 3/16")	1	2
19			NLA - Upstop, Roller	1	2
20			Screw, Socket Set Cup Point (1/4-28 x 1/2")	1	2
20			Stop, Tilt, Black	1	2
21			Plate, Inner Tilt - Right	1	1
21			Plate, Inner Tilt - Left	1	1
22			Washer, Steel (5/16 x 3/4 x 1/16")	1	2
23			Locknut (1/4-28)	1	4
24			NLA - Washer, Lock (3/16 x 5/16 x 1/32")	1	4
25			Locknut (5/16-24)	1	2
26			Screw, Phillips Pan Head (#10-32 x 11/16")	1	4
27			Locknut (1/4-28)	1	4
28			Screw, Socket Button Head (1/4-28 x 1-1/4")	1	2
29	Locknut (1/4-20)	1	4		
30	NLA - Spacer (1/4 x 1 x 3/16")	1	4		
1	E,F	1134904-NLA	NLA - Kit, Tilt Hardware	1	1
2			Screw, Socket Button Head (10-32 x 1-1/4")	1	2
3			Tie Wrap (5-5/8" L)	1	1
4			NLA - Roller w/ Bushings	1	2
5			NLA - Sleeve (1/4-10 x 7/8 x 1/6" O.D.)	1	2
6			NLA - Roller, Link	1	2
7			Screw, Socket Button Head (1/4-20 x 1-1/2")	1	2
8			NLA - Screw, Shoulder Hex Socket Head (5/16" x 1-3/4", 1/4-20)	1	2
9			Washer (1/4 x 1/2 x 1/16")	1	4

Tilt Hardware - Hand Release

Before 5/22/06

Invacare does not service any parts associated with the TRRO/TRBKTS option including tilt hardware, belts, belt attachment hardware, tie-down brackets, etc. Chairs with the Transport Ready or Transport Bracket option must be returned to Invacare for service. The Tilt Release Cable Assembly may be replaced and serviced by an authorized Invacare dealer.

Item Number	Note	Part Number	Description	Quantity Per	
				Package	Assembly
10			Spacer	1	4
11			NLA - Bracket, Tilt Mounting Plate, Black	1	2
12			NLA - Bushing, Roller	1	2
13			NLA - Roller	1	2
14			Plate, Outer Tilt	1	2
15			NLA - Screw, Hex Head (1/4-28 x 2-1/2")	1	4
16			NLA - Screw, Hex Head (5/16-24 x 3")	1	2
17			NLA - Screw, Allen Head (1/4-28 x 1")	1	2
18			Bushing (1/4 x 5/16 x 3/16")	1	2
19			NLA - Upstop, Roller	1	2
20			Stop, Tilt, Black	1	2
20			Screw, Socket Set Cup Point (1/4-28 x 1/2")	1	2
21			Plate, Inner Tilt - Right	1	1
21			Plate, Inner Tilt - Left	1	1
22			Washer, Steel (5/16 x 3/4 x 1/16")	1	2
23			Locknut (1/4-28)	1	4
24			NLA - Washer, Lock (3/16 x 5/16 x 1/32")	1	4
25			Locknut (5/16-24)	1	2
26			Screw, Phillips Pan Head (#10-32 x 11/16")	1	4
27			Locknut (1/4-28)	1	4
28			Screw, Socket Button Head (1/4-28 x 1-1/4")	1	2
29			Locknut (1/4-20)	1	4
30			NLA - Spacer (1/4 x 1 x 3/16")	1	4
31			NLA - Plate, Tilt Reinforcing	1	2
32		1126294	Tilt Release Cable Assembly	1	2
33	D	See Chart	#33 Kit, Crossbraces with Hardware	5	1
34	B	1118578	Kit, Tilt Lock Out Lever with Hardware	1	1
35			NLA - Nut, Hex Lock (#6-32)	1	1
36			NLA - Screw, Phillips Pan Head (#6-32 x 7/8")	1	1
37			NLA - Lever, Lock Out Tilt, Silver Vein	1	1
38			NLA - Washer, Flat (5/32 x 3/8 x 1/32")	1	1
39	C	1127786-NLA	NLA - Kit, Tilt Lock Out Stop	1	1
40			Screw, Socket Set Cup Point (1/4-28 x 1/2")	1	1
41			Stop, Tilt, Black	1	1

NOTE: A - Non Heavy Duty chairs. Includes items 2-30. Contains enough hardware for right and left sides.
 B - Includes items 35-38
 C - Includes items 40-41
 D - Kit includes 5 ea. Crossbraces and all attaching hdw. 1 crossbrace is required for Tilt Hdw. 3 crossbraces are req'd for Base/Seat Frames, and 1 crossbrace is req'd for Axle Mounting Hdw.
 E - Item 30 (Spacers) is only required when chair is set at its deepest depth. Item 10 (front Spacer only) is removed and replaced by item 30.
 F - Heavy Duty chairs. Includes items 2-31. Contains enough hardware for right and left sides.

Tilt Hardware - Hand Release Before 5/22/06

Invacare does not service any parts associated with the TRRO/TRBKTS option including tilt hardware, belts, belt attachment hardware, tie-down brackets, etc. Chairs with the Transport Ready or Transport Bracket option must be returned to Invacare for service. The Tilt Release Cable Assembly may be replaced and serviced by an authorized Invacare dealer.

#33 Kit, Crossbraces with Hardware

Seat Width Range 12-16"	Seat Width Range 14-18"	Seat Width Range 16-20"	Seat Width Range 18-22"	Quantity
1127700-NLA See Note(s) A	1127701-NLA See Note(s) A	1127702-NLA See Note(s) A	1127703-NLA See Note(s) B, A	1
N/A	N/A	N/A	1164095	1
N/A	N/A	N/A	1025765	14
N/A	N/A	N/A	1055309	10
N/A	N/A	N/A	1083099	4

NOTE: A - As of 8/9/07, the finish changed from black anodize to flat black.
 B - See part #'s listed below part #1127703 and order together 1 ea. 1164095 Kit, Crossbrace Tubes, 14 ea. 1025765 Locknuts (1/4-28), 10 ea. 1055309 Screw, SBH (1/4-28 x 1-1/4") and 4 ea. 1083099 Screw, SBH (1/4-28 x 1-1/2") as a replacement.