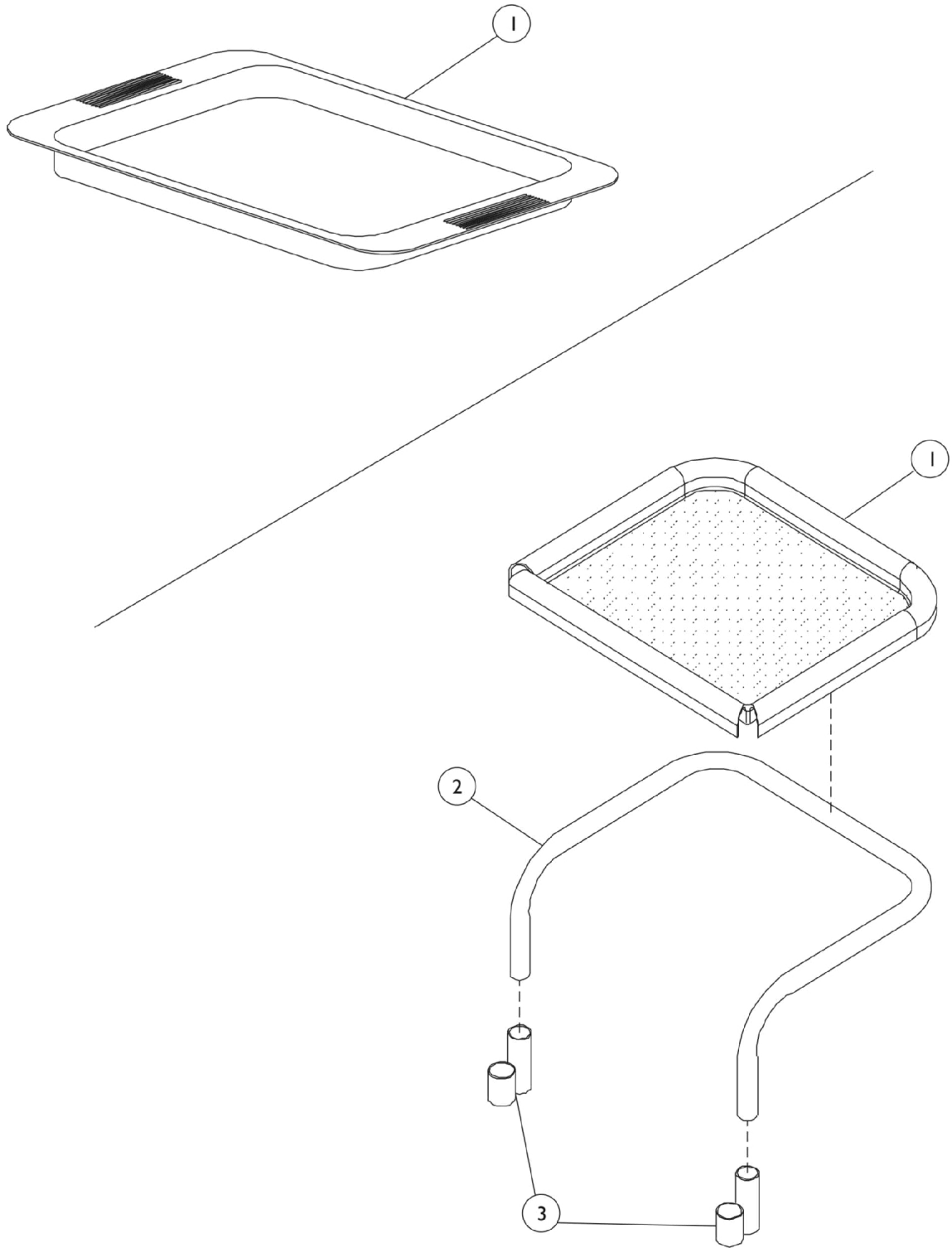


Tray/Seat (Rollator)



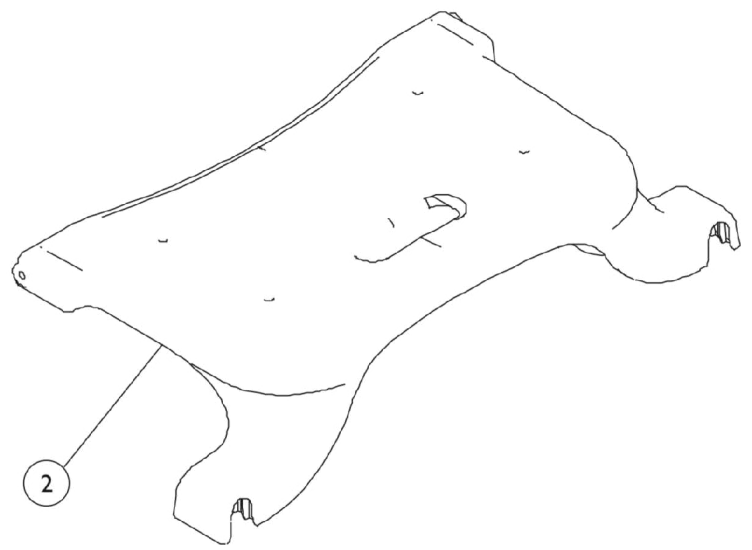
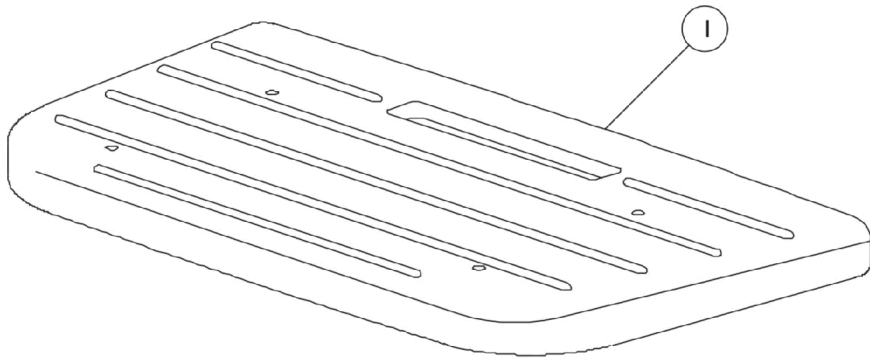
Tray/Seat (Rollator)

Tray Rollator

Item Number	Note	Part Number	Description	Quantity Per	
				Package	Assembly
1	A	1076174-NLA	NLA - Tray	1	1
1	B	65403-NLA	NLA - Tray	1	1
1	C,D	429306	Tray	1	1
	C,E,F	450014-NLA	NLA - Tray	1	1
2	D,G	429304-NLA	NLA - Support, Tray	1	1
2	C,D	450044-NLA	NLA - Tray Support	1	1
3	D,G	1075333-NLA	NLA - Brackets, Chrome	1	2
	E,H	65408	Tray	1	1

NOTE: A - To be used with Models 65500, 65600, 65700, 65800 and 65900.
 B - To be used with Model 65400.
 C - Before 3/98.
 D - For 3 Wheeled Rollator Tray.
 E - Not Shown.
 F - For 4 Wheeled Rollator Tray.
 G - Before 5/11/98.
 H - For use on all Rollite models.

Tray/Seat (Rollator)



Tray/Seat (Rollator)

Seat Rollator

Item Number	Note	Part Number	Description	Quantity Per	
				Package	Assembly
1	A	1076172-NLA	NLA - Seat	1	1
1	B	1076173-NLA	NLA - Seat	1	1
2	C	1107737-NLA	NLA - Seat	1	1
2	A,D,E	1076178-NLA	NLA - Seat Hardware	1	1
2	B,E,F	1076179-NLA	NLA - Hardware, Seat	1	1

NOTE: A - To be used with Model 65420 and 65500.
B - To be used with Model 65600.
C - To be used with Model 65100.
D - Includes (8) Screws, (2) Brackets and (2) Plates.
E - Not Shown.
F - Includes (16) Screws, (4) Brackets and (4) Plates.