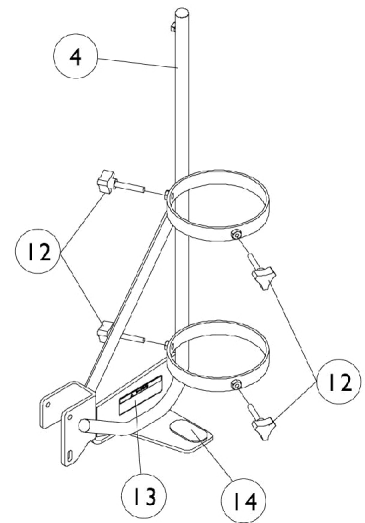
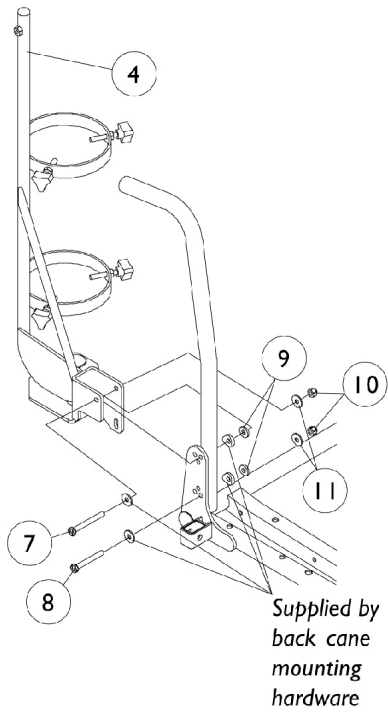
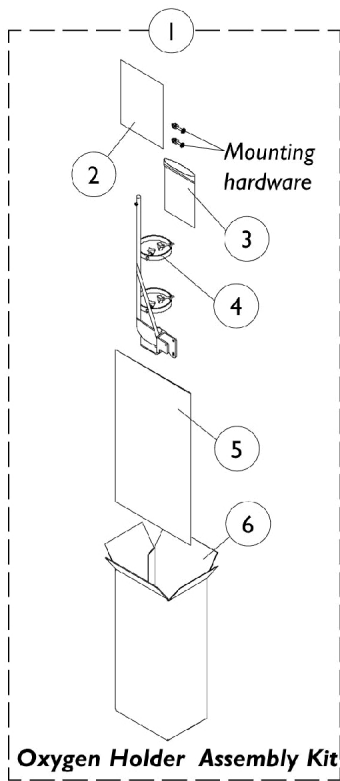


Oxygen Holder Assembly Kit

ASBA Seats

NOTE: Oxygen holder is not available on recliner options.



Oxygen Holder Assembly Kit

ASBA Seats

NOTE: Oxygen holder is not available on recliner options.

Item Number	Note	Part Number	Description	Quantity Per	
				Package	Assembly
1	A	1098857-NLA	NLA - Oxygen Holder Assembly Kit	1	1
2	C	1098333-NLA	NLA - Instruction Sheet, Oxygen Holder	1	1
3		1021148-NLA	NLA - Bag, Poly Zip-Lip (8-3/4" L x 6" W)	1	1
4	B	1098857-NLA	NLA - Oxygen Holder Assembly Kit	1	1
5		1021866-NLA	NLA - Bag, Poly (26" L x 15" W)	1	1
6		1097276-NLA	NLA - Carton, Shipper	1	1
7		1096839-NLA	NLA - Screw, Hex Head (1/4-20 x 2-1/4")	1	1
8		1096838-NLA	NLA - Screw, Hex Head (1/4-20 x 2")	1	1
9		1018739	Washer (1/4 x 5/8 x 3/32")	1	2
10		7930333	Locknut (1/4-20)	25	2
11		1026900	Washer (1/4 x 23/32 x 1/16")	1	2
12		1027684	Knob, Clamping, Black	1	4
13		1080866	Decal, Oxygen Warning - English	1	1
14		1072002-NLA	NLA - Pad, Non Skid	1	1

NOTE: A - Includes items 2-6 and 7-11
 B - When item 4 oxygen holder is requested, order kit part number 1098857.
 C - Item is no longer available from the Invacare Service Parts Department. Refer to the Invacare Website under "Product Literature Search". Enter the part number in the "Keywords" field and download a free PDF version copy.