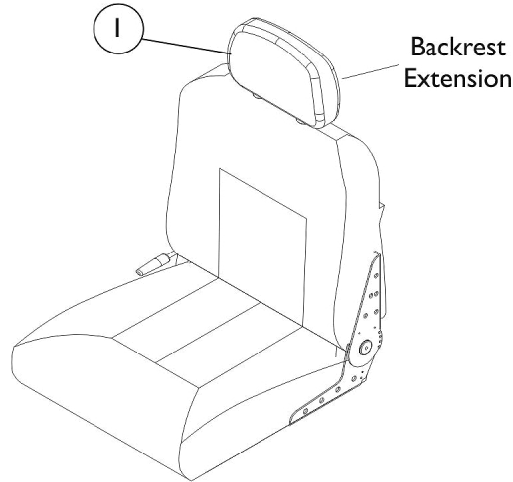


Van Seat Assembly

NOTE: Captain seats recline approximately 90-114 degrees.

NOTE: Recline release levers are standard on the right side. Left side release levers can be ordered as a special with a new captain seat.



#2 Van Seat Semi Recline

Item Number	Backrest and Van Seat Assemblies	All Grey Vinyl
1.	Backrest For Semi-Recline	1108408
2.	18" W Semi-Recline w/ Backrest See Note(s) A	1109242 See Note(s) A
2.	20" W Semi-Recline w/ Backrest See Note(s) B	1159891 See Note(s) B
2.	22" W Semi Recline w/ Backrest See Note(s) C	1109244 See Note(s) B
2.	24" W Semi Recline w/ Backrest See Note(s) C	1123360 See Note(s) C
Not Shown	Hinge Bracket w/ Lever Semi-Recline - Right	1116634 See Note(s) D
Not Shown	Hinge Bracket w/o Lever Semi-Recline - Left	1116635 See Note(s) D
Not Shown	Screw, Phillips Truss Head (1/4-20 x 3/4")	5000136 See Note(s) E

Van Seat Assembly

NOTE: Captain seats recline approximately 90-114 degrees.

NOTE: Recline release levers are standard on the right side. Left side release levers can be ordered as a special with a new captain seat.

NOTE: A - Seat depths are adjustable; 16, 17, and 18"
B - Seat depths are adjustable; 18, 19, and 20"
C - Seat depths are adjustable; 20, 21, and 22"
D - Not Shown. Hinge Brackets used for ALL Semi-Recline Seat models only. For attaching Hinge Bracket, see part number 5000136.
E - Not shown, Screw for Hinge Bracket(s) 1116634 and 1116635. Total of (7) required for each Bracket.