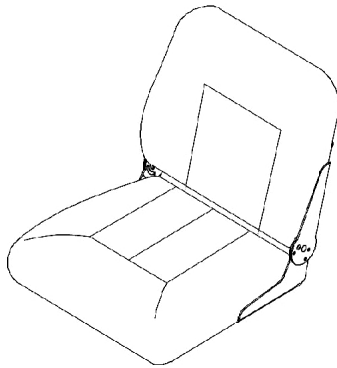
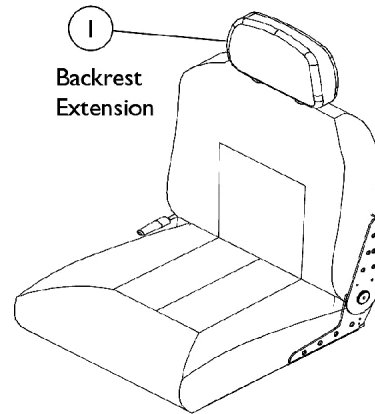


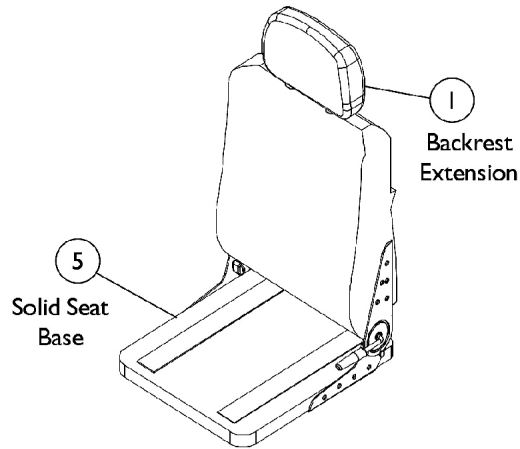
# Van Seat Assembly



**#2 Van Seat  
Fold Down,  
Medium Back**



**#3 Van Seat  
Semi-Recline**



**#4 Van Seat  
Semi-Recline  
w/ Solid Seat Base**

## Van Seat Assembly

Item Number	Note	Part Number	Description	Quantity Per	
				Package	Assembly
1		1106969-NLA	NLA - Extension, Backrest, Van Seat, Grey Fabric	1	1
1		1108408	Extension, Backrest, Captain Seat, Grey Vinyl	1	1
1		1106968-NLA	NLA - Extension, Backrest, Van Seat, Tan Vinyl	1	1
2		See Chart	Fold Down Van Seat Assembly (18" Wide)	1	1
3		See Chart	Van Seat (Semi-Recline) Assembly	1	1
4		See Chart	Van Seat (Semi-Recline) w/ Solid Seat Base Assembly	1	1
5	A,B	1123384-NLA	NLA - Base, Solid, Captain Seat, Grey Vinyl (16" W)	1	1
5	A	1123385-NLA	NLA - Base, Solid, Van Seat, Grey Vinyl (18" W)	1	1
5	A	1159739	Base, Solid, Captain Seat, Grey Vinyl (18" W)	1	1
5	A	1123386-NLA	NLA - Base, Solid, Van Seat, Grey Vinyl (20" W)	1	1
5	A	1159740	Base, Solid, Captain Seat, Grey Vinyl (20" W)	1	1

NOTE: A - Solid Seat Base is the only item available for service parts with regard to the Van Seats. Seat Hinges are not included.  
 B - 16" Solid Base is no longer available. A complete van seat should be ordered as replacement. See chart titled, "Van Seat (Semi-Recline) w/ Solid Seat Base Assembly."

### #2 Fold Down Van Seat Assembly (18" Wide) (Backrest Not Offered)

All Grey Fabric Upholstery	All Grey Vinyl Upholstery	All Tan Vinyl Upholstery
N/A	1108837	N/A

Note: Fold down, medium back van seat has four stop angle adjustment settings that include 95, 100, 105, 110 degrees and adjustable seat depths of 16, 17, and 18".

### #3 Van Seat (Semi-Recline) Assembly

Upholstery Type	Van Seat with Backrest 16" Wide	Van Seat with Backrest 18" Wide	Van Seat with Backrest 20" Wide	Hinge Bracket w/ Lever Semi-Recline Right	Hinge Bracket w/o Lever Semi-Recline Left	Screw, Phillips Truss Head (1/4-20 x 3/4")
All Grey Fabric	1150811-NLA	1109254-NLA	1159892-NLA	1116634 See Note(s) A	1116635 See Note(s) A	5000136 See Note(s) B
All Grey Vinyl	1150810	1109242	1159891	1116634 See Note(s) A	1116635 See Note(s) A	5000136 See Note(s) B
All Tan Vinyl	1150812-NLA	1109248-NLA	1159893-NLA	1116634 See Note(s) A	1116635 See Note(s) A	5000136 See Note(s) B

NOTE: A - Not Shown. Hinge Brackets used for ALL Semi-Recline Seat models only. For attaching Hinge Bracket, see part number 5000136.  
 B - Not shown, Screw for Hinge Bracket(s) 1116634 and 1116635. Total of (7) required for each Bracket.

NOTE: Semi-recline Van Seat reclines approximately 90-114 degrees. Adjustable depths are (16, 17, 18" deep for 16 & 18" wide seats) and (18, 19, 20" deep for 20" wide seats). Recline release levers are standard on the right side. Left side release levers can be ordered as a special with a new van seat.

### #4 Van Seat (Semi-Recline) w/ Solid Seat Base Assembly

# Van Seat Assembly

## #4 Van Seat (Semi-Recline) w/ Solid Seat Base Assembly

Upholstery Type	Van Seat w/ Solid Seat and Backrest 16" Wide	Van Seat w/ Solid Seat and Backrest 18" Wide	Van Seat w/ Solid Seat and Backrest 20" Wide
All Grey Fabric	N/A	N/A	N/A
All Tan Vinyl	N/A	N/A	N/A
All Grey Vinyl	1150819 See Note(s) A	1150820 See Note(s) A	1159886 See Note(s) A
<p>NOTE: A - If converting a wheelchair from a Semi-Recline Van Seat w/ Cushion to a Semi-Recline Van Seat w/ Solid Seat Base, a new Seat Mounting Bracket part number 1129722 is required also. See page titled "Frames - Seat Van &amp; Mounting Hardware (After 7/13/03)".</p> <p>NOTE: Semi-recline Van Seat reclines approximately 90-114 degrees. Adjustable depths are (16, 17, 18" deep for 16 &amp; 18" wide seats) and (18, 19, 20" deep for 20" wide seats). Recline release levers are standard on the right side. Left side release levers can be ordered as a special with a new van seat.</p>			