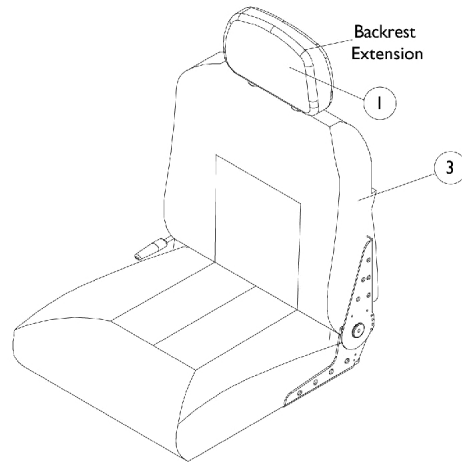


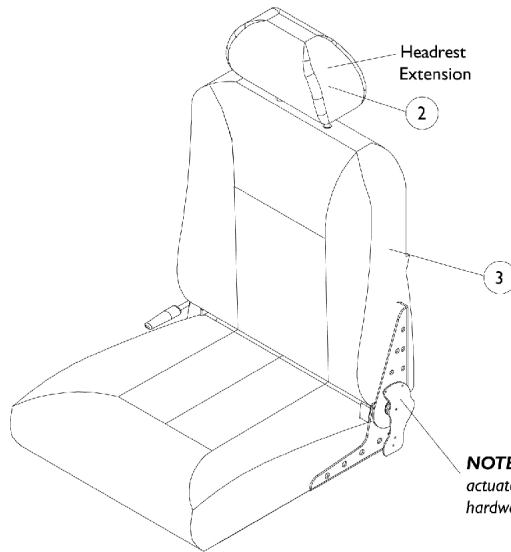
Captain Seat Assembly

(After 10/31/01)

NOTE: Captain Seats recline approximately 90-114 degrees for semi recline backs and 90-170 degrees for full recline back models. Adjustable depths are (16, 17, 18" deep for 18" wide seats) and (18, 19, 20" deep for 20 and 22" wide seats). Recline release levers are standard on the right side. Left side release levers can be ordered as a special with a new captain seat.



Semi Recline Captain Seat



Full Recline Captain Seat

NOTE: Full recline captain seats **do not include** the actuator hardware. See seat frame and actuator hardware page.

Captain Seat Assembly

(After 10/31/01)

NOTE: Captain Seats recline approximately 90-114 degrees for semi recline backs and 90-170 degrees for full recline back models. Adjustable depths are (16, 17, 18" deep for 18" wide seats) and (18, 19, 20" deep for 20 and 22" wide seats). Recline release levers are standard on the right side. Left side release levers can be ordered as a special with a new captain seat.

Item Number	Backrest / Headrest Extension and Captain Seat Assemblies	All Grey Fabric	All Grey Vinyl	All Tan Vinyl
1	Backrest (For Semi-Recline)	1106969-NLA	1108408	1106968-NLA
2	Headrest (For Full-Recline)	1106967	1108409-NLA	1106966
3	18" Wide Semi Recline with Backrest	1109254-NLA	1109242	1109248-NLA
3	18" Wide Full Recline with Headrest	1109257-NLA	1109245-NLA	1109251-NLA
3	20" Wide Semi Recline with Backrest	1159892-NLA	1159891	1159893-NLA
3	20" Wide Full Recline with Headrest	1109258-NLA	1109246-NLA	1109252-NLA
3	22" Wide Semi Recline with Backrest	1109256-NLA	1109244	1109250-NLA
3	22" Wide Full Recline with Headrest	1109259	1109247-NLA	1109253-NLA
Not Shown	Hinge Bracket w/ Lever Semi-Recline - Right	1116634 See Note(s) A	1116634 See Note(s) A	1116634 See Note(s) A
Not Shown	Hinge Bracket w/o Lever Semi-Recline - Left	1116635 See Note(s) A	1116635 See Note(s) A	1116635 See Note(s) A
Not Shown	Screw, Phillips Truss Head (1/4-20 x 3/4")	5000136 See Note(s) B	5000136 See Note(s) B	5000136 See Note(s) B

NOTE: A - Not Shown. Hinge Brackets used for ALL Semi-Recline Seat models only. For attaching Hinge Bracket, see part number 5000136.

B - Not shown, Screw for Hinge Bracket(s) 1116634 and 1116635. Total of (7) required for each Bracket.

Note: When converting from a semi recline to a full recline captain seat, a sensor cable must be ordered - part #1092913.

Note: Actuator mounting hardware is not included with a full recline captain seat. Refer to Actuator Mounting Hardware.

Note: New seat mounting hardware, part #1079208, is required when converting a captain seat made before 11/01/2001 to a captain seat made after 10/31/2001.