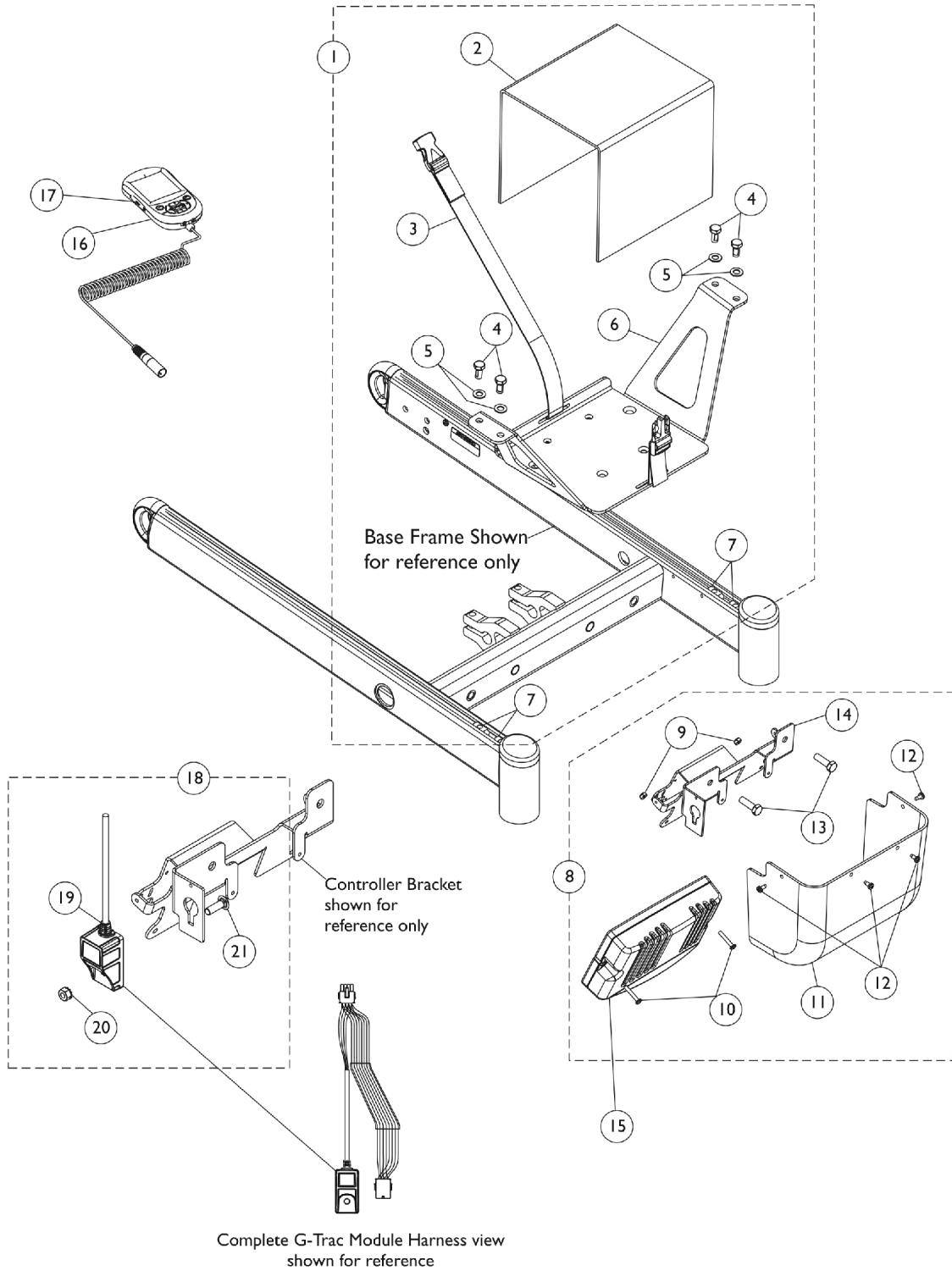


# Controller, G-Trac, Programmer, Shroud Cover, 4-Pole, MK6i - 3G Storm w/ Vent



## Controller, G-Trac, Programmer, Shroud Cover, 4-Pole, MK6i - 3G Storm w/ Vent

Item Number	Note	Part Number	Description	Quantity Per	
				Package	Assembly
1	A	1148656-NLA	NLA - Kit, Vent Battery Tray w/ Hardware	1	1
2			Shroud, Vent Battery	1	1
3			NLA - Battery Strap Assembly	1	1
4			Screw, Hex Head w/ Patch (5/16-18 x 5/8")	1	4
5			Washer, Flat (5/16 x 5/8 x 1/16")	1	4
6			Tray, Vent Battery	1	1
7			T-Nut (5/16-18)	1	4
8	B	1148655-NLA	NLA - Kit, MK690 w/ ACC Controller/TRAM Mounting Bracket, Shroud Cover and Mounting Hardware	1	1
			Screw, Phillips Pan Head (#4-40 x 1/2")	1	4
9			Locknut (#8-32)	1	2
10			Screw, Phillips Pan Head (#8-32 x 1")	1	2
11			Shroud, Controller Cover (for Vent Option)	1	1
12			Screw, Phillips Pan Head Tap (#8-32 x 3/8")	1	4
13			Screw, Hex Head w/ Patch (5/16-18 x 1")	1	2
14			Bracket, Mounting, Black (For Vent Option)	1	1
15		1156624	Controller, G-Trac, 4-Pole, MK6i	1	1
16	C	1139985	Programmer, MK6i Remote	1	1
16	C	1142215	Kit, MK6i Remote Programmer w/ SD Professional Card & Card Holder (1813M6)	1	1
17		1139997	Cover, SD Card Slot	1	1
18	D,E	1157133	Kit, G-Trac Module Harness w/ Mounting Hardware	1	1
19			Harness, Module, Gyro, G-Trac	1	1
20			Screw (M6 x 1 x 20mm)	1	1
21			Nut (M6 x 1mm)	1	1

NOTE: A - Includes items 2-7.  
B - Includes items 9-14. The Controller Mounting Bracket included with the kit is also used to mount the G-Trac Controller.  
The 4 Phillips Pan Head Screws (not shown) to attach a MK6i TRAM are not used with this G-Trac Controller application.  
C - The MK6i Programmer Manual (1141471) is not included and is strongly recommended the guide be ordered or  
downloaded from Literature Fulfillment.  
D - Includes items 19-21.  
E - Item #19 part #1156626 plugs into the Controller and the other connector plugs into the Accessory Harness for Seating.