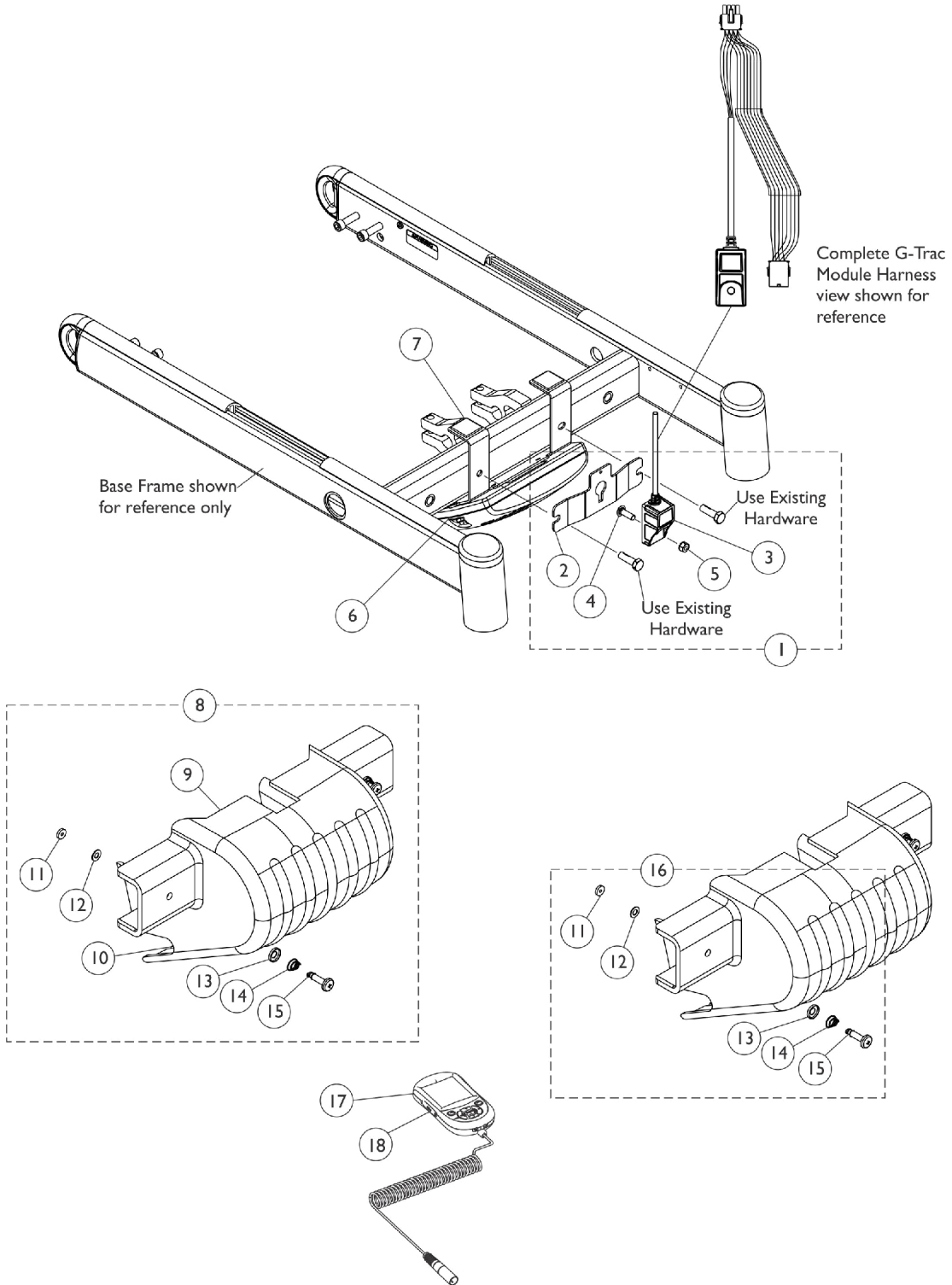


Controller, G-Trac, Programmer, Shroud Cover, 4-Pole, MK6i - 3G Storm w/o Vent

The Shroud Cover contains a notch opening on the top to allow room for the G-Trac Module cable to exit. There is no Shroud Cover used when a Vent Tray is ordered.



Controller, G-Trac, Programmer, Shroud Cover, 4-Pole, MK6i - 3G Storm w/o Vent

The Shroud Cover contains a notch opening on the top to allow room for the G-Trac Module cable to exit.
There is no Shroud Cover used when a Vent Tray is ordered.

| Item Number | Note | Part Number | Description | Quantity Per | | | |
|-------------|---|---|--|--|---|---|---|
| | | | | Package | Assembly | | |
| 1 | A,D | 1160737 | Kit, G-Trac Module Harness w/ Mounting Hardware | 1 | 1 | | |
| 2 | | | Bracket, Mounting, G-Trac, Black | 1 | 1 | | |
| 3 | | | Harness, Module, Gyro, G-Trac | 1 | 1 | | |
| 4 | | | Screw (M6 x 1 x 20mm) | 1 | 1 | | |
| 5 | | | Nut (M6 x 1mm) | 1 | 1 | | |
| 2 | | 1157130 | Bracket, Mounting, G-Trac, Black | 1 | 1 | | |
| 6 | | 1156624 | Controller, G-Trac, 4-Pole, MK6i | 1 | 1 | | |
| 7 | | 1145380 | Kit, Controller Bracket Mounting Hardware | 1 | 1 | | |
| | NLA - Fastener, Hook with Adhesive Back (1" W x 1" L) | | 1 | 2 | | | |
| | Bracket, Controller Mounting, Black | | 1 | 1 | | | |
| | Screw, Hex Head w/ Patch (5/16-18 x 1") | | 1 | 2 | | | |
| | Locknut (#8-32) | | 1 | 2 | | | |
| | Screw, Phillips Pan Head (#8-32 x 1") | | 1 | 2 | | | |
| 7 | | | 1147373 | Kit, Controller Bracket Mounting Hardware (For TRBKTS/TRRO Option) | 1 | 1 | |
| | NLA - Fastener, Hook with Adhesive Back (1" W x 1" L) | | 1 | 2 | | | |
| | Bracket, Controller Mounting, Black | | 1 | 1 | | | |
| | Screw, Hex Head w/ Patch (5/16-18 x 1") | | 1 | 2 | | | |
| | Locknut (#8-32) | 1 | 2 | | | | |
| | Screw, Phillips Pan Head (#8-32 x 1") | 1 | 2 | | | | |
| | Washer, Flat (5/16 x 5/8 x 1/16") | 1 | 2 | | | | |
| | NLA - Screw, Socket Head Cap (5/16-18 x 1/2") | 1 | 2 | | | | |
| 8 | B | 1159747 | Kit, Controller Shroud w/ Hardware | 1 | 1 | | |
| 9 | | | Shroud, Controller | 1 | 1 | | |
| 10 | | | NLA - Fastener, Loop Adhesive Back (1" W x 3" L) | 1 | 2 | | |
| 11 | | | NLA - Retainer, Stud (1/4" Turn) | 1 | 2 | | |
| 12 | | | NLA - Washer, Nylon Retainer (1/4 x 1/2 x 1/32") | 1 | 2 | | |
| 13 | | | NLA - Washer, Nylon Cupped (9/32 x 19/32 x 3/32") | 1 | 2 | | |
| 14 | | | NLA - Spring, Torsion Ejector | 1 | 2 | | |
| 15 | | | NLA - Stud, Phillips Recess (1/4" Dia. x 1" Long, 1/4 Turn) | 1 | 2 | | |
| 16 | | | C | 1104706-NLA | NLA - Kit, Controller Shroud Mounting Hardware (Pair) | 1 | 1 |
| 11 | | | | 1110509-NLA | NLA - Retainer, Stud (1/4" Turn) | 1 | 2 |
| 12 | 1070580-NLA | NLA - Washer, Nylon Retainer (1/4 x 1/2 x 1/32") | | 1 | 2 | | |
| 13 | 1070581-NLA | NLA - Washer, Nylon Cupped (9/32 x 19/32 x 3/32") | | 1 | 2 | | |
| 14 | 1093312-NLA | NLA - Spring, Torsion Ejector | | 1 | 2 | | |
| 15 | 1110508-NLA | NLA - Stud, Phillips Recess (1/4" Dia. x 1" Long, 1/4 Turn) | | 1 | 2 | | |
| 17 | E | 1139985 | Programmer, MK6i Remote | 1 | 1 | | |
| 17 | E | 1142215 | Kit, MK6i Remote Programmer w/ SD Professional Card & Card Holder (1813M6) | 1 | 1 | | |
| 18 | | 1139997 | Cover, SD Card Slot | 1 | 1 | | |

Controller, G-Trac, Programmer, Shroud Cover, 4-Pole, MK6i - 3G Storm w/o Vent

**The Shroud Cover contains a notch opening on the top to allow room for the G-Trac Module cable to exit.
There is no Shroud Cover used when a Vent Tray is ordered.**

NOTE: A - Includes items 2-5.
B - Includes items 9-15
C - Includes items 11-15
D - Item #3 part #1156626 plugs into the Controller and the other connector plugs into the Accessory Harness for Seating.
E - The MK6i Programmer Manual (1141471) is not included and is strongly recommended the guide be ordered or downloaded from Literature Fulfillment.